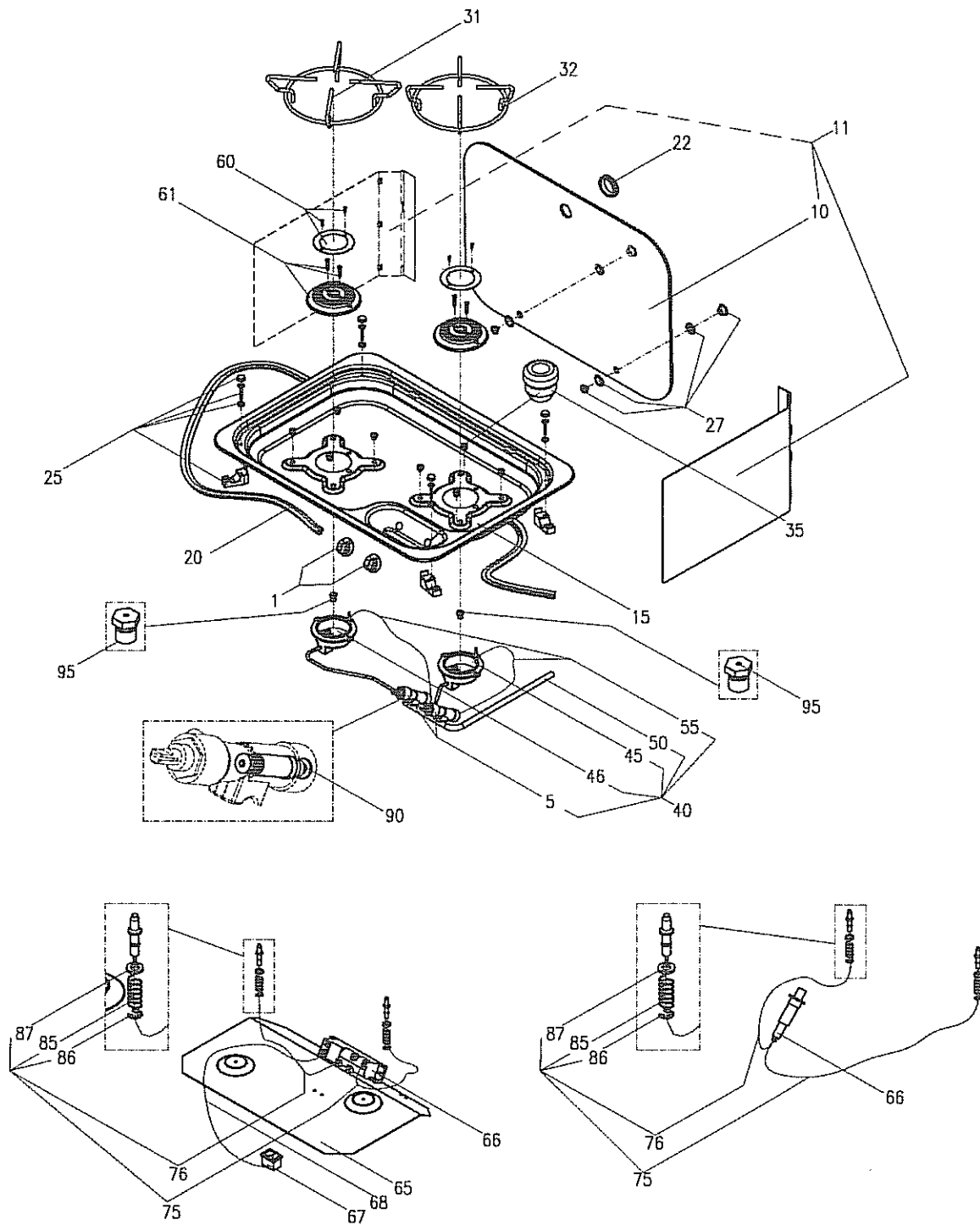


.....		
CE99-ZF460		
958047161	00	20081113
.....		
Complete appliance		
.....		
€ ✓ 001	KIT, KNOB, BLACK, 4 PIECES	407 14 39- 84/0
€ ✘ 005	GAS REGULATOR VALVE, GH349	407 14 40- 84/8
€ ✓ 010	GLASS COVER, CE99- ZF460/355	407 14 42- 08/3
€ ✘ 015	COOKING TOP, HIGH- GRADE STEEL	407 14 41- 89/5
€ ✓ 022	PROTECTION RING, GLASS COVER	407 14 42- 71/1
€ ✓ 025	KIT, FIXING, HIGH- GRADE STEEL, 4	407 14 39- 86/5
€ ✓ 027	FIXING, GLASS PLATE, 2 PIECES	407 14 42- 72/9
€ ✘ 031	GRID, D=200MM	407 14 39- 92/3
€ ✓ 032	GRID, CHROME PLATED, D=160/33MM	407 14 41- 26/7
€ ✘ 035	RETAINER, STOPPER, WHITE, D=4,7MM	407 14 42- 23/2
€ ✘ 045	BURNER, COMPLETE, GAS INLET PIPE	407 14 41- 80/4
€ ✘ 046	BURNER, COMPLETE, GAS INLET PIPE	407 14 41- 76/2
€ ✘ 050	GAS CONNECTION, PTP, AUSTRALIA	407 14 41- 99/4
€ ✓ 055	THERMOCOUPLE, L=350MM, 5 PIECES	407 14 39- 93/1
€ ✓ 055	THERMOCOUPLE, L=350MM	407 14 43- 77/6
€ ✓ 060	KIT, BURNER COVER, SCREWS, 3 PIEC	407 14 39- 97/2
€ ✘ 061	KIT, BURNER TOP, TFZ, 2 PIECES	407 14 42- 74/5
€ ✓ 066	PIEZO LIGHTER	407 14 42- 13/3
€ ✘ 067	SWITCH, IGNITION	407 14 40- 01/2
€ ✘ 075	SPARK PLUG, WITH, CABLE, L=250 MM	407 14 40- 06/1
€ ✘ 076	SPARK PLUG, WITH, CABLE, L=350 MM	407 14 40- 07/9
€ ✓ 085	PRESSURE SPRING	407 14 40- 03/8
€ ✓ 086	LOCK WASHER, D=5MM, DIN 6766	407 14 40- 04/6
€ ✘ 087	PLAIN WASHER, D=12,5X6,5X2 MM	407 14 40- 05/3
€ ✓ 090	MAGNET INSERT, GAS REGULATOR	407 14 42- 75/2
€ ✓ 095	NOZZLE, GAS BURNER, 0.64	407 14 42- 78/6



Nur die im Text aufgeführten Ersatzteile sind tatsächlich im Produkt!
 Only the spare parts which are listed, are really in the product!

(PCE9950405)