

↗ DOMETIC

PORTABLE REFRIGERATION CFX SERIES



CFX75DZW, CFX95DZW

EN

Compressor Fridge & Freezer

Operating manual

Please read this operating manual carefully before starting the device. Keep it in a safe place for future reference. If the device is passed on to another person, this operating manual must be handed over to the user along with it.

The manufacturer cannot be held liable for damage resulting from **improper usage** or **incorrect operation**.

Contents

1	Explanation of symbols	4
2	Safety instructions	5
2.1	General safety	5
2.2	Operating the cooling device safely	6
3	Scope of delivery	7
4	Accessories	8
5	Intended use	8
6	Function description	9
6.1	Scope of functions	9
6.2	Operating and display elements	10
7	Operation	13
7.1	Before initial use	13
7.2	Energy saving tips	15
7.3	Connecting the cooler	16
7.4	Using the battery monitor	18
7.5	Using the cooler	19
7.6	Setting the temperature	20
7.7	Switching a compartment off or on	21
7.8	Enabling Wi-Fi signal for optional app	22
7.9	Set brightness of displays	23
7.10	Using the emergency switch	23
7.11	USB port for power supply	24
7.12	Switching off the cooler	24
7.13	Defrosting the cooler	24
7.14	Replacing the AC fuse	25
7.15	Replacing the DC plug fuse	25
7.16	Replacing the light PCB	26

8	Cleaning and maintenance	27
9	Troubleshooting	28
10	Guarantee	29
11	Disposal	29
12	Technical data	30

1 Explanation of symbols



DANGER!

Safety instruction: Failure to observe this instruction will cause fatal or serious injury.



WARNING!

Safety instruction: Failure to observe this instruction can cause fatal or serious injury.



CAUTION!

Safety instruction: Failure to observe this instruction can lead to injury.



NOTICE!

Failure to observe this instruction can cause material damage and impair the function of the product.



NOTE

Supplementary information for operating the product.

2 Safety instructions

2.1 General safety



WARNING!

- Do not operate the cooling device if it is visibly damaged.
- If this cooling device's power cable is damaged, it must be replaced by the manufacturer, customer service or a similarly qualified person in order to prevent safety hazards.
- This cooling device may only be repaired by qualified personnel. Improper repairs can lead to considerable hazards.
- This cooling device can be used by children aged 8 years or over, as well as by persons with diminished physical, sensory or mental capacities or a lack of experience and/or knowledge, providing they are supervised or have been taught how to use the cooling device safely and are aware of the resulting risks.
- Cleaning and user maintenance must not be carried out by children without supervision.
- Children must not play with the cooling device.
- Children must be supervised to ensure that they do not play with the cooling device.
- Always keep and use the cooling device out of the reach of children under the age of 8 years.
- Do not store any explosive substances such as spray cans with a flammable propellant in the cooling device.



CAUTION!

- Disconnect the cooling device from the power supply
 - before each cleaning and maintenance
 - after every use
- Food may only be stored in its original packaging or in suitable containers.



NOTICE!

- Check that the voltage specification on the type plate corresponds to that of the energy supply.
- Only connect the cooling device as follows:
 - With the DC connection cable to a DC power supply in the vehicle
 - Or with the AC connection cable to the AC power supply

- Never pull the plug out of the socket by the cable.
- If the cooling device is connected to the DC outlet: Disconnect the cooling device and other power consuming devices from the battery before connecting a quick charging device.
- If the cooling device is connected to the DC outlet: Disconnect the cooling device or switch it off when you turn off the engine. Otherwise you may discharge the battery.
- The cooling device is not suitable for transporting caustic materials or materials containing solvents.
- The insulation of the cooling device contains flammable cyclopentane and requires special disposal procedures. Deliver the cooling device at the end of its life-cycle to an appropriate recycling.

2.2 Operating the cooling device safely



CAUTION!

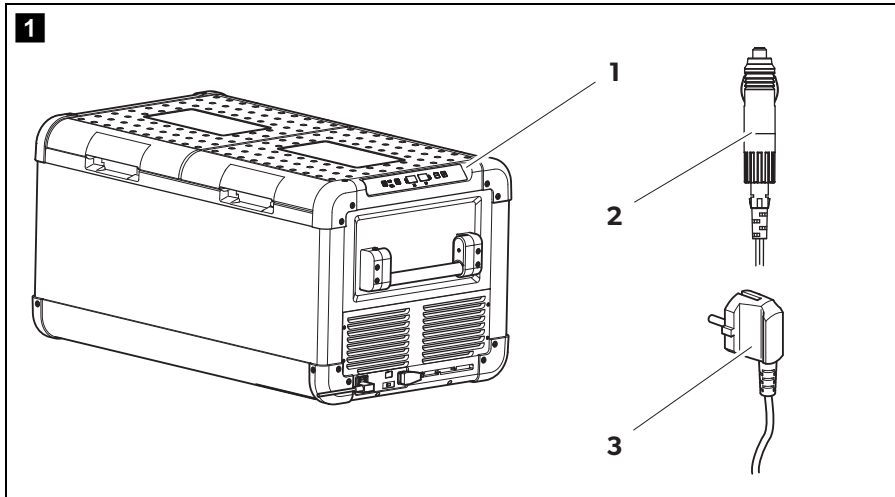
- Before starting the cooling device, ensure that the power supply line and the plug are dry.



NOTICE!

- Do not use electrical devices inside the cooling device unless they are recommended by the manufacturer for the purpose.
- Do not place the cooling device near naked flames or other heat sources (heaters, direct sunlight, gas ovens etc.).
- **Danger of overheating!**
Ensure at all times that there is sufficient ventilation so that the heat that arises during operation does not build up. Make sure that the cooling device is sufficiently far away from walls and other objects so that the air can circulate.
- Ensure that the ventilation openings are not covered.
- Do not fill the inner container with ice or fluid.
- Never immerse the cooling device in water.
- Protect the cooling device and the cable against heat and moisture.

3 Scope of delivery



Item	Quantity	Description
1	1	Cooler
2	1	Connection cable for DC connection
3	1	Connection cable for AC connection
-	1	Operating manual

4 Accessories

Available as accessory (not included in scope of delivery):

Designation	Ref. no.
Universal fixing kit (belt system) CFX-UFK	9108300002
Insulated protective cover CFX-IC95100	9108300206
Fridge slide CFX-SLD95/100	9105306558
Fridge stand (up to 80 kg load)	9108400101

Visit the Dometic website (see back page) for information about a Wi-Fi app with control-, display- and alarm functions. Note that the app may not be available in your country.

5 Intended use

The cooler is suitable for cooling and freezing foods.

The cooler is designed to be operated from:

- a DC on-board power supply of a vehicle, boat or caravan
- a DC auxiliary battery
- an AC power supply

The cooling device is intended to be used in household and similar applications such as

- staff kitchen areas in shops, offices and other working environments
- farm houses
- clients in hotels, motels and other residential type environments
- bed and breakfast type environments
- catering and similar non-retail applications





CAUTION! Health hazard!

Please check if the cooling capacity of the device is suitable for storing the food or medicine you wish to cool.

6 Function description

The cooler can chill products, keep them cool as well as freeze them. A low maintenance refrigerant circuit with compressor provides the cooling. The generous insulation and powerful compressor ensure efficient and fast cooling.

The cooler has two separate compartments which can be adjusted independently. The cooler can be used in all combinations:

Large compartment	Small compartment
	
Refrigerator	Freezer
Freezer	Refrigerator
Refrigerator	Refrigerator
Freezer	Freezer

The cooler is portable.

The cooler can withstand a short-term inclination of 30°, for example on boats.



NOTE

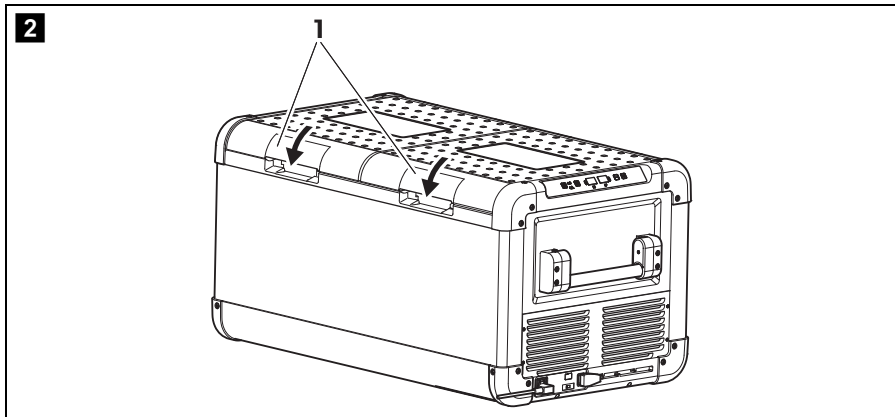
The cabinet top surface under the lid gaskets may feel warm. This is normal as heating is included to prevent condensation.

6.1 Scope of functions

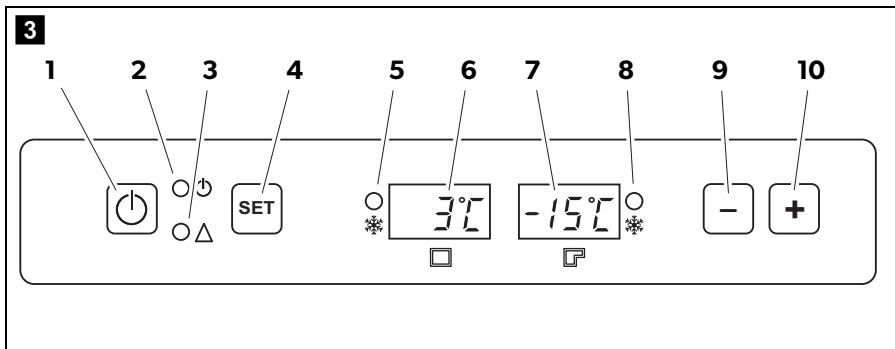
- Power supply with priority circuit for connecting to the AC mains
- Three-level battery monitor to protect the vehicle battery
- Display with temperature gauge in °C and °F switches off automatically at low battery voltage
- Independent settings, controls and displays for each compartment
- Temperature setting: With two buttons in steps of 1 °C (2 °F)
- Integrated Wi-Fi transmitter hence controllable using an app
- Lid open alarm
- USB port for power supply
- Emergency switch
- Foldable carrying handles
- Three removable wire baskets

6.2 Operating and display elements



Lid latches



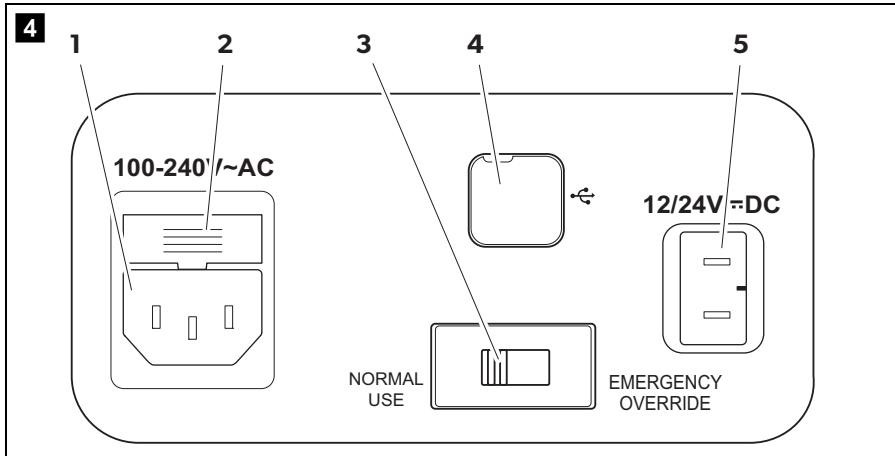
Operating panel



Item	Description	Explanation
1	ON OFF	Switches the cooler on or off when the button is pressed for between one and two seconds
2	POWER "⏻"	Status indication LED lights up green: Compressor is on LED lights up orange: Compressor is off LED flashes orange: Display switched off automatically due to low battery voltage

Item	Description	Explanation
3	ERROR	LED flashes red: Device is switched on but not ready for operation
4	SET	Selects the input mode – Temperature setting (large/small compartment) – Celsius or Fahrenheit display – Set battery monitor – Set brightness of display – Turn Wi-Fi on or off
5	Cooling large 	Status indication large compartment LED lights up blue: compartment is cooling LED off: compartment is not cooling
6	Display large	– Shows information for large compartment – Shows "OFF", when the compartment is switched off
7	Display small	– Shows information for small compartment – Shows "OFF", when the compartment is switched off
8	Cooling small 	Status indication small compartment LED lights up blue: compartment is cooling LED off: compartment is not cooling
9	DOWN –	Press once to decrease the value
10	UP +	Press once to increase the value

Connection sockets, Emergency switch (when fitted) and USB port



Item Description

- 1 Connection socket AC voltage supply
- 2 Fuse holder
- 3 Emergency switch
- 4 USB port for power supply
- 5 Connection socket DC voltage supply

7 Operation

7.1 Before initial use

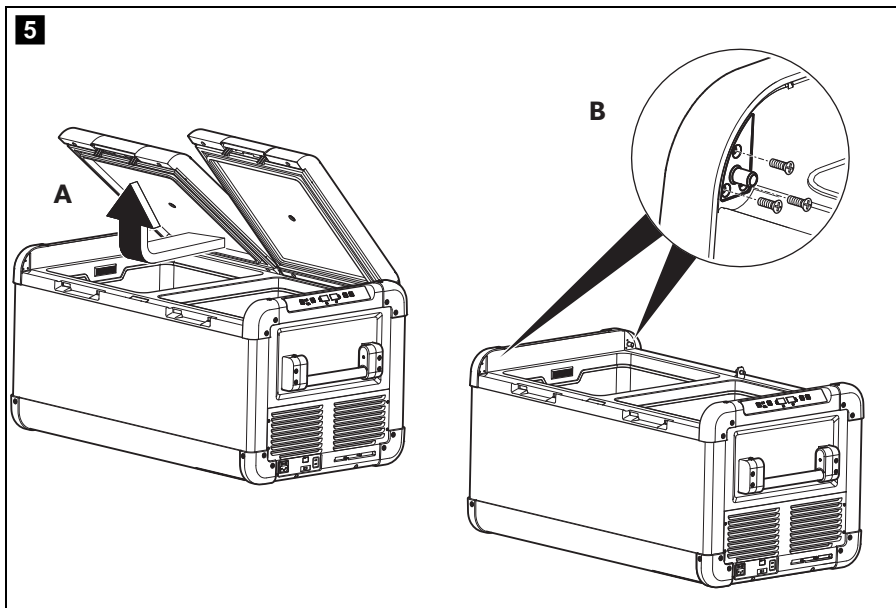


NOTE

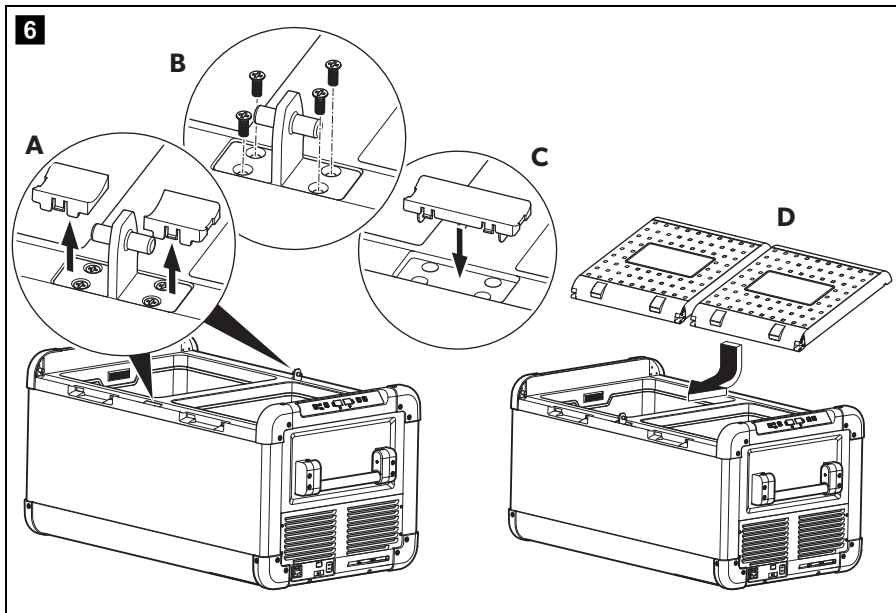
Before starting your new cooler for the first time, you should clean it inside and outside with a damp cloth for hygienic reasons (please also refer to the chapter "Cleaning and maintenance" on page 27).

Reversing the lid opening direction

The lid hinges can be moved to the opposite side if you want to open the lids from the opposite direction. To do this, proceed as follows:



- Open the lids and remove them (A).
- Remove the three screws per side hinge (B) and take off the hinges.
- Remove the plastic covers from the new side hinge positions with a small screwdriver and re-fit to the old hinge positions.
- Re-fit the side hinges in the new positions.



- Remove the two plastic covers from the centre hinge **(A)**.
- Remove the four screws from the centre hinge **(B)** and take off the hinge.
- Remove the plastic cover from the new centre hinge position with a small screwdriver and re-fit to the old hinge position **(C)**.
- Re-fit the centre hinge in the new position.
- Insert the lids in the hinges on the opposite side **(D)**.

Selecting the temperature units

Temperature display units can be switched between Celsius and Fahrenheit as follows:

- Switch on the cooler.
- Press the "SET" button (fig. **3** 4, page 10) three times.
- Use the "UP +" (fig. **3** 10, page 10) or "DOWN -" (fig. **3** 9, page 10) buttons to select Celsius or Fahrenheit.
- ✓ The selected temperature units then appear in both displays for a few seconds. The displays flash several times before returning to the current temperature.

7.2 Energy saving tips

- Choose a well ventilated installation location which is protected against direct sunlight.
- Allow warm food to cool down first before placing it in the cooling device to keep cool.
- Do not open the cooling device more often than necessary.
- Do not leave the cooling device open for longer than necessary.
- Defrost the cooler once a layer of ice forms.
- Avoid unnecessarily low temperatures.

7.3 Connecting the cooler

Connecting to a battery (vehicle or boat)

The cooler can be operated with 12 V DC or 24 V DC .

**NOTICE! Danger of damage!**

Disconnect the cooler and other consumer units from the battery before you connect the battery to a quick charging device. Overvoltage can damage the electronics of the device.

For safety reasons the cooler is equipped with an electronic system to prevent polarity reversal. This protects the cooler against short-circuiting when connecting to a battery.

Using the fused DC plug

**NOTICE! Danger of damage!**

- For protection of the device the DC cable supplied includes a fuse inside the plug. Do **not** remove the fused DC plug. Only use the DC cable supplied.

- Plug the DC connection cable (fig. **1** 2, page 7) into the DC voltage socket of the cooler (fig. **4** 5, page 12).
- Connect the connection cable to the DC power outlet.

Connecting to AC mains (e.g. in the home or office)**DANGER! Danger of electrocution!**

- Never handle plugs and switches with wet hands or if you are standing on a wet surface.
- If you are operating your cooler on board a boat with an AC mains connection, you must install a residual current circuit breaker between the AC mains and the cooler.
Seek advice from a trained technician.

The coolers have an integrated multi-voltage power supply with priority circuit for connecting to an AC voltage source. The priority circuit automatically switches the cooler to AC operation if the device is connected to an AC power supply, even if the DC connection cable is still attached.

When switching between the AC power supply and the DC battery supply, the red LED may light up briefly.

- Plug the AC connection cable (fig. **1** 3, page 7) into the AC voltage socket of the cooler (fig. **4** 1, page 12).
- Connect the connection cable to the AC power outlet.

7.4 Using the battery monitor

The device is equipped with a multi-level battery monitor that protects your vehicle battery against excessive discharging when the device is connected to the on-board DC supply.

If the cooler is operated when the vehicle ignition is switched off, the cooler switches off automatically as soon as the supply voltage falls below a set level. The cooler will switch back on once the battery has been recharged to the restart voltage level.



NOTICE! Danger of damage!

When switched off by the battery monitor, the battery will no longer be fully charged. Avoid starting repeatedly or operating current consumers without longer charging phases. Ensure that the battery is recharged.

In "HIGH" mode, the battery monitor responds faster than at the levels "LOW" and "MED" (see the following table).

Battery monitor mode	LOW	MED	HIGH
Switch-off voltage at 12 V	10.1 V	11.4 V	11.8 V
Restart voltage at 12 V	11.1 V	12.2 V	12.6 V
Switch-off voltage at 24 V	21.5 V	24.1 V	24.6 V
Restart voltage at 24 V	23.0 V	25.3 V	26.2 V

The battery monitor mode can be selected as follows:

- Switch on the cooler.
- Press the "SET" button (fig. **3** 4, page 10) four times.
- Use the "UP +" (fig. **3** 10, page 10) or "DOWN -" (fig. **3** 9, page 10) buttons to select the battery monitor mode.
- ✓ Digital display will be as follows:
Lo (LOW), Πd (MED), HI (HIGH)
- ✓ The selected mode then appears in the display for a few seconds. The display flashes several times before it returns to the current temperature.



NOTE

When the cooler is supplied by the starter battery, select the battery monitor mode "HIGH". If the cooler is connected to a supply battery, the battery monitor mode "LOW" will suffice.

7.5 Using the cooler



NOTICE! Danger of overheating!

Ensure at all times that there is sufficient ventilation so that the heat that generated during operation can dissipate. Ensure that the ventilation slots are not covered. Make sure that the device is sufficiently far away from walls and other objects so that the air can circulate.

- Place the cooler on a firm foundation.
Make sure that the ventilation slots are not covered and that the heated air can dissipate.



NOTE

Place the cooler as shown (fig. **1**, page 7). If you operate the box in a different orientation it can be damaged.

- Connect the cooler, see chapter “Connecting the cooler” on page 16.



NOTICE! Danger from excessively low temperature!

Ensure that the only those objects are placed in the cooler that are intended to be cooled at the selected temperature.

- Press the “ON/OFF” button (fig. **3** 1, page 10) for between one and two seconds.
- ✓ The LED “⏻” lights up (fig. **3** 2, page 10).
- ✓ The displays (fig. **3** 6 and 7, page 10) switch on and show the current temperatures.
- ✓ Depending on the compartment set temperatures, the cooler starts cooling either one or both compartments.
- ✓ The LEDs (fig. **3** 5 and 8, page 10) light up when the respective compartment is cooling.



NOTE

When operating with the battery, the display switches off automatically if the battery voltage is low. The LED “⏻” flashes orange.

Latching the cooler lids

- Close the lids.
- Press the latches (fig. **2** 1, page 10) down, until they latch in place audibly.



NOTE – Lid Open Alarm

If the lid is left open for three minutes or more and the device is switched on, the interior light will flash until the lid is closed.

7.6 Setting the temperature

- Press the “SET” button (fig. **3** 4, page 10):
 - once for the large compartment
 - twice for the small compartment
- ✓ The display of the respective compartment blinks.
- Use the “UP +” (fig. **3** 10, page 10) and “DOWN –” (fig. **3** 9, page 10) buttons to select the cooling temperature.
You can adjust the cooling temperature so that each compartment works as a refrigerator compartment or as a freezer compartment.
- ✓ The cooling temperature appears in the display for a few seconds. The display flashes several times and then the current temperature is displayed again.



NOTE

The temperature of each compartment can be set to $-22\text{ }^{\circ}\text{C}$. The manufacturer however recommends a cooling temperature of $-15\text{ }^{\circ}\text{C}$ to $-18\text{ }^{\circ}\text{C}$ for normal usage and optimum energy consumption.

7.7 Switching a compartment off or on

If only one compartment is required, the other compartment can be switched off to save energy.

Switching off compartment

If the display of the compartment shows a temperature, you can switch off the compartment as follows:

- ▶ Press the "SET" button (fig. **3** 4, page 10):
 - once for the large compartment
 - twice for the small compartment
- ✓ The display of the respective compartment blinks.
- ▶ Press the "ON/OFF" button (fig. **3** 1, page 10).
- ✓ "OFF" flashes for five seconds on the display of the respective cooling compartment, then "OFF" is displayed.

Switching on compartment

If the display of the compartment shows "OFF", you can switch on the compartment as follows:

- ▶ Press the "SET" button (fig. **3** 4, page 10):
 - once for the large compartment
 - twice for the small compartment
- ✓ The display of the respective compartment blinks.
- ▶ Press the "ON/OFF" button (fig. **3** 1, page 10).
- ✓ The cooling temperature appears in the display for a few seconds. The display flashes several times and then the current temperature is displayed.

7.8 Enabling Wi-Fi signal for optional app

The cooler can be controlled via Wi-Fi using an app that you can install on a compatible device. The app has control, display and alarm functions.

You find further information on the Dometic website for your country (see back page). Note that the app may not be available in your country.

The Wi-Fi name of the compressor cooler begins with "CFX". The preset password is "00000000". You can change the Wi-Fi network name and password individually.

Switching the Wi-Fi signal on or off

- ▶ Press the "SET" button (fig. **3** 4, page 10) six times.
- ▶ Use the "UP +" (fig. **3** 10, page 10) and "DOWN –" (fig. **3** 9, page 10) buttons to switch the Wi-Fi signal on or off.
- ✓ The desired setting appears in the display for a few seconds. The display flashes several times and then the current temperature is displayed again.



NOTE

- The default setting for the Wi-Fi transmitter is off. For first time use and whenever power to the device is interrupted, switch on the Wi-Fi transmitter to use the app.
- The Wi-Fi transmitter uses a small amount of power. For optimal energy performance switch the Wi-Fi transmitter off if it is not being used.

Resetting the Wi-Fi to factory settings

In case you have personalized the Wi-Fi settings of your cooling device using the Wi-Fi app and forgotten your password, you can reset to the factory settings as follows:

- ▶ Press the "SET" button (fig. **3** 4, page 10) six times.
- ▶ Hold the "UP +" (fig. **3** 10, page 10) button for at least five seconds.
- ✓ In both displays "rES" will blink several times before returning to the previous display.
- ✓ The Wi-Fi settings have been reset to factory settings.

For additional information visit the Dometic website from which you downloaded the app.

7.9 Set brightness of displays

The display brightness can be dimmed for low ambient light conditions. To set the dimming level of the displays proceed as follows:

- ▶ Switch on the cooler.
- ▶ Press the "SET" button (fig. **3** 4, page 10) five times.
- ▶ Use the "UP +" (fig. **3** 7, page 10) or "DOWN -" (fig. **3** 6, page 10) buttons to set the brightness of the displays.
- ✓ Display will be as follows:
d0 (default), d1 (medium), d2 (dark)
- ✓ The displays show the set mode for some seconds. The displays flash several times before they return to the current brightness.



NOTE

- The factory setting of brightness of the display is d0 (default).
- If a fault occurs, the brightness automatically is d0 (default). After troubleshooting the set brightness is reactivated.

7.10 Using the emergency switch

The emergency switch (fig. **4** 1, page 12) is located below the control panel. For normal operation the switch is in the "NORMAL USE" position.

- ▶ If an electronic control failure occurs, slide the switch to "EMERGENCY OVERRIDE" position.



NOTE

If the switch is in the "EMERGENCY OVERRIDE" position, the cooler circuit runs with full cooling capacity and, depending on the running conditions of each compartment at the time of switching, may either freeze one or both compartments, and/or stop cooling one of the compartments.

7.11 USB port for power supply

The USB port allows you to charge small devices like mobile phones and mp3-players.

To use your cooling box with any USB devices, simply connect a USB cable (not included) to your device.



NOTE

Ensure that any small device connected to the USB port is compatible with 5 V/500 mA operation.

7.12 Switching off the cooler

- ▶ Empty the cooler.
- ▶ Switch the cooler off.
- ▶ Pull out the connection cable.

If you do not want to use the cooler for a longer period of time:

- ▶ Leave the lids slightly open. This prevents odour build-up.

7.13 Defrosting the cooler

Humidity can form frost in the interior of the cooling device or on the evaporators. This reduces the cooling capacity. Defrost the device in good time to avoid this.



NOTICE! Danger of damage!

Never use hard or pointed tools to remove ice or to loosen objects which have frozen in place.

To defrost the cooler, proceed as follows:

- ▶ Take out the contents of the cooling device.
- ▶ If necessary, place them in another cooling device to keep them cool.
- ▶ Switch off the device.
- ▶ Leave the lids open.
- ▶ Wipe off the defrosted water.

7.14 Replacing the AC fuse

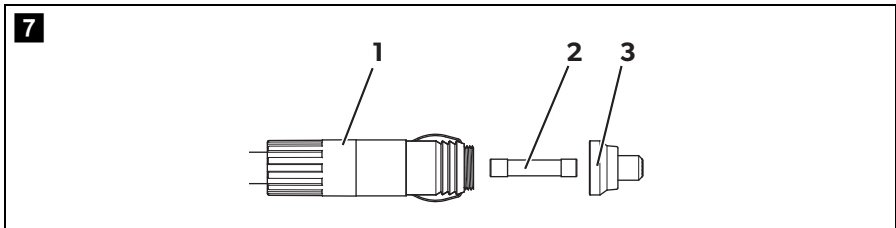


DANGER! Danger of electrocution!

Disconnect the power supply and the connection cable before you replace the device fuse.

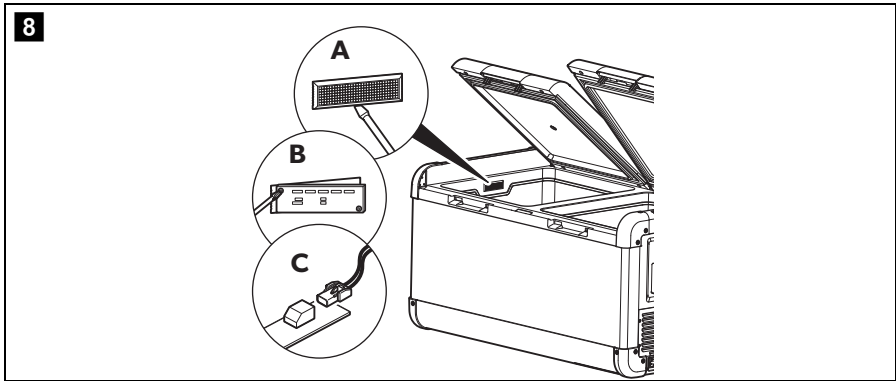
- Disconnect the power supply to the device.
- Pull off the connection cable.
- Pry out the fuse insert (fig. **4** 2, page 12) with a screwdriver.
- Replace the defective glass fuse with a new one that has the same type and rating (4A 250V).
- Press the fuse insert back into the housing.
- Reconnect the power supply to the device.

7.15 Replacing the DC plug fuse



- Unscrew the contact pin housing (**3**) from the plug (**1**).
- Replace the defective fuse (**2**) with a new fuse of the same type and rating (3AG, Fast Acting, 10 A).
- Re-assemble the plug in reverse order.

7.16 Replacing the light PCB



- Disconnect the power supply to the device.
- Pry out the transparent cover with a screwdriver (**A**).
- Unscrew the PCB mounting screws (**B**).
- Pull out the plug from the PCB (**C**).
- Replace the defective light PCB with a new one.
- Fit the new PCB using reverse of removal instructions.
- Press the transparent cover back into the housing.
- Reconnect the power supply to the device.

8 Cleaning and maintenance

**WARNING!**

Always disconnect the device from the power supply before you clean and service it.

**NOTICE! Risk of damage**

- Never clean the cooler under running water or in dish water.
- Do not use abrasive cleaning agents or hard objects during cleaning as these can damage the cooler.

- Occasionally clean the device interior and exterior with a damp cloth.
- Make sure that the air inlet and outlet vents on the device are free of any dust and dirt, so that heat can be released and the device is not damaged.

9 Troubleshooting

Fault	Possible cause	Suggested remedy
Device does not function, LED does not glow.	No voltage was detected in the DC power outlet.	In most vehicles the ignition must be turned on before power will be supplied to the DC power outlet.
	No voltage present in the AC voltage outlet.	Try using another plug outlet.
	The device fuse is defective.	Replace the device fuse, see chapter "Replacing the AC fuse" on page 25.
	The integrated mains adapter is defective.	This can only be repaired by an authorised repair centre.
The device does not cool (power is connected, "POWER" LED is lit).	Defective compressor.	This can only be repaired by an authorised repair centre.
The device does not cool (power is connected, "POWER" LED flashes orange, display is switched off).	Battery monitor is set too high.	Select a lower battery monitor setting.
	Battery voltage is too low.	Test the battery and charge it as needed.
When operating from the DC socket: The ignition is on and the device is not working and the LED is not lit.	The DC outlet is dirty. This results in a poor electrical contact.	If the plug of your cooler becomes very warm in the DC outlet, either the DC outlet must be cleaned or the plug has not been assembled correctly.
	The fuse of the DC plug has blown.	Replace the fuse in the DC plug, see chapter "Replacing the DC plug fuse" on page 25.
	The vehicle fuse has blown.	Replace the vehicle's DC socket fuse. Please refer to your vehicle's operating manual.
The display shows an error message (e.g. "Err1") and the device does not cool.	The device has switched off due to an internal fault.	This can only be repaired by an authorised repair centre.
The interior light of a compartment flashes.	The lid of the compartment has been left open for more than three minutes.	Close the lid of the compartment.

10 Guarantee

The statutory warranty period applies. If the product is defective, please contact the manufacturer's branch in your country (see the back of the instruction manual for the addresses) or your retailer.

For repair and guarantee processing, please include the following documents when you send in the device:

- A copy of the receipt with purchasing date
- A reason for the claim or description of the fault

11 Disposal






- Place the packaging material in the appropriate recycling waste bins wherever possible.



If you wish to finally dispose of the product, ask your local recycling centre or specialist dealer for details about how to do this in accordance with the applicable disposal regulations.

12 Technical data

	CFX75DZW	CFX95DZW
Ref. no.:	9600001410	9105306502
Connection voltage:	12/24 V $\overline{=}$ and 100 – 240 V \sim	
Rated current:	12 V $\overline{=}$: 7.9 A 24 V $\overline{=}$: 3.6 A 100 V \sim : 0.93 A 240 V \sim : 0.38 A	12 V $\overline{=}$: 9.2 A 24 V $\overline{=}$: 4.5 A 100 V \sim : 1.10 A 240 V \sim : 0.45 A
Cooling capacity:	+10 °C to -22 °C (+50 °F to -8 °F)	
Category:	1	
Energy efficiency class:	A+	
Energy consumption:	105 kWh/annum	109 kWh/annum
Gross volume:		
Large compartment:	45 l	54 l
Small compartment:	30 l	40,5 l
Storage volume:		
Large compartment:	43 l	50,5 l
Small compartment:	27 l	34,5 l
Climate class:	N, T	
Ambient temperature:	+16 °C to +43 °C	
Noise emission:	37 dB(A)	
USB:	5 V $\overline{=}$, 500 mA	
Frequency band (WiFi):	2.4 GHz	
RF power (WiFi):	16 \pm 1.5 dBm (802.11 b CCK, 11 Mbps) 12 \pm 1.5 dBm (802.11 g OFDM, 54 Mbps) 11 \pm 1.5 dBm (802.11 n HT20, MCS7)	
Refrigerant:	R134a	
Refrigerant quantity:	57 g	67 g
CO ₂ equivalent:	0.082	0.096 t
Global warming potential (GWP):	1430	

	CFX75DZW	CFX95DZW
Dimensions (W x H x D) in mm Including handles: Without handles:	887 x 472 x 495 832 x 472 x 495	957 x 472 x 530 900 x 472 x 530
Weight:	31 kg	32 kg
Test/certificates:	    	



NOTE

If the ambient temperature is above +32 °C (+90 °F), the minimum temperature cannot be attained.

Contains fluorinated greenhouse gases

Hermetically sealed equipment

AUSTRALIA**Dometic Australia Pty. Ltd.**

1 John Duncan Court - Varsity Lakes QLD 4227

☎ 1800 212121 - 📠 +61 7 55076001

Mail: sales@dometic.com.au

dometic.com**AUSTRIA****Dometic Austria GmbH**

Neudorferstraße 108

A-2353 Guntramdsdorf

☎ +43 2236 908070

☎ +43 2236 90807060

Mail: info@dometic.at

BENELUX**Dometic Branch Office Belgium**

Zincstraat 3

B-1500 Halle

☎ +32 2 3598040

☎ +32 2 3598050

Mail: info@dometic.be

BRAZIL**Dometic DO Brasil LTDA**

Avenida Paulista 1754, conj. 111

SP 01310-920 Sao Paulo

☎ +55 11 3251 3352

☎ +55 11 3251 3362

Mail: info@dometic.com.br

DENMARK**Dometic Denmark A/S**

Nordensvej 15, Taulov

DK-7000 Fredericia

☎ +45 75585966

☎ +45 75586307

Mail: info@dometic.dk

FINLAND**Dometic Finland OY**

Mestariintie 4

FIN-01730 Vantaa

☎ +358 20 7413220

☎ +358 9 7593700

Mail: info@dometic.fi

FRANCE**Dometic SAS**

ZA du Pré de la Dame Jeanne

B.P. 5

F-60128 Plailly

☎ +33 3 44633525

☎ +33 3 44633518

Mail : vehiculesdeloisirs@dometic.fr

GERMANY**Dometic WAECO International GmbH**

Hüllefeldstraße 63

D-48282 Emsdetten

☎ +49 (0) 2572 879-195

☎ +49 (0) 2572 879-322

Mail: info@dometic-waeco.de

HONG KONG**Dometic Group Asia Pacific**

Suites 2207-11 - 22/F - Tower 1

The Gateway - 25 Canton Road,

Tsim Sha Tsui - Kowloon

☎ +852 2 4611386

☎ +852 2 4665553

Mail: info@waeco.com.hk

HUNGARY**Dometic Zrt. Sales Office**

Kerékgyártó u. 5.

H-1147 Budapest

☎ +36 1 468 4400

☎ +36 1 468 4401

Mail: budapest@dometic.hu

ITALY**Dometic Italy S.r.l.**

Via Virgilio, 3

I-47122 Forlì (FC)

☎ +39 0543 754901

☎ +39 0543 754983

Mail: vendite@dometic.it

JAPAN**Dometic KK**

Maekawa-Shibaura, Bldg. 2

2-13-9 Shibaura Minato-ku

Tokyo 108-0023

☎ +81 3 5445 3333

☎ +81 3 5445 3339

Mail: info@dometic.jp

MEXICO**Dometic Mx, S. de R. L. de C. V.**

Circuito Médicos No. 6 Local 1

Colonia Ciudad Satélite

CP 53100 Naucalpan de Juárez

Estado de México

☎ +52 55 5374 4108

☎ +52 55 5393 4683

Mail: info@dometic.com.mx

NETHERLANDS**Dometic Benelux B.V.**

Ecustraet 3

NL-4879 NP Etten-Leur

☎ +31 76 5029000

☎ +31 76 5029019

Mail: info@dometic.nl

NEW ZEALAND**Dometic New Zealand Ltd.**

PO Box 12011

Penrose

Auckland 1642

☎ +64 9 622 1490

☎ +64 9 622 1573

Mail: customerservices@dometic.co.nz

NORWAY**Dometic Norway AS**

Østerøyveien 46

N-3232 Sandefjord

☎ +47 33428450

☎ +47 33428459

Mail: firmapost@dometic.no

POLAND**Dometic Poland Sp. z o.o.**

Ul. Puławska 435A

PL-02-801 Warszawa

☎ +48 22 414 3200

☎ +48 22 414 3201

Mail: info@dometic.pl

PORTUGAL**Dometic Spain, S.L.**

Branch Office em Portugal

Rot. de São Gonçalo nº 1 - Esc. 12

2775-399 Carcavelos

☎ +351 219 244 173

☎ +351 219 243 206

Mail: info@dometic.pt

RUSSIA**Dometic RUS LLC**

Komsomolskaya square 6-1

RU-107140 Moscow

☎ +7 495 780 79 39

☎ +7 495 916 56 53

Mail: info@dometic.ru

SINGAPORE**Dometic Pte Ltd**

18 Boon Lay Way 06-140 Trade Hub 21

Singapore 609966

☎ +65 6795 3177

☎ +65 6862 6620

Mail: dometic@dometic.com.sg

SLOVAKIA**Dometic Slovakia s.r.o. Sales Office Bratislava**

Nádražná 34/A

900 28 Ivanka pri Dunaji

☎/☎ +421 2 45 529 680

Mail: bratislava@dometic.com

SOUTH AFRICA**Dometic (Pty) Ltd.****Regional Office****South Africa & Sub-Saharan Africa**

Unit 6-7 on Mastiff Linbro Park

2008 Johannesburg

☎ +27 11 4504978

☎ +27 11 4504976

Mail: info@dometic.co.za

SPAIN**Dometic Spain S.L.**

Avda. Sierra del Guadarrama, 16

E-28691 Villanueva de la Cañada

Madrid

☎ +34 902 111 042

☎ +34 900 100 245

Mail: info@dometic.es

SWEDEN**Dometic Scandinavia AB**

Gustaf Melins gata 7

S-42131 Västra Frölunda

☎ +46 31 7341100

☎ +46 31 7341101

Mail: info@dometicgroup.se

SWITZERLAND**Dometic Switzerland AG**

Riedackerstrasse 7a

CH-8153 Rümlang

☎ +41 44 8187171

☎ +41 44 8187191

Mail: info@dometic.ch

UNITED ARAB EMIRATES**Dometic Middle East FZCO**

P. O. Box 17860

S-D 6, Jebel Ali Freezone

Dubai

☎ +971 4 883 3858

☎ +971 4 883 3868

Mail: info@dometic.ae

UNITED KINGDOM**Dometic UK Ltd.**

Dometic House, The Brewery

Blandford St. Mary

Dorset DT11 9LS

☎ +44 344 626 0133

☎ +44 344 626 0143

Mail: customerservices@dometic.co.uk

USA**Dometic RV Division**

1120 North Main Street

Elkhart, IN 46515

☎ +1 574-264-2131