

USER MANUAL

RSERCWS



CAUTION

- * To avoid damage to the electronic circuit, stop using this product while doing welding work to the vehicle and/or trailers.
- * Never immerse any component in water, and do not employ spray cleaners. When cleaning, use a damp lint-free cloth only.
- * Connect this unit only to other compatible devices.
- * Although our products have built-in surge and cross polarity protection, make sure all cables are connected properly; improper cable connections may damage the camera and the monitor.
- * Cables should not be allowed to touch hot or rotating parts, such as the engine, ventilator, etc.
- * Do not locate the monitor near heat generating vents or devices.
- * Monitors are not designed to be waterproof. (Our BR-704WP waterproof monitor is the exception.) Exposure to water, such as rain, may damage the units.

MONITOR SPECIFICATIONS

MONITOR SPECIFICATIONS (part# BR-TM7002)

Screen size: 7-inch digital screen (16:9)

Long Life High Resolution: 800 × 480 Pixel (RGB)

System: PAL/NTSC selectable

Contrast: 400:1

Brightness: 450cd/m²

Power supply: DC 12V~24V with reverse polarity protection

Operation temperatures: -30~70°C

Storage temperature: -40~80°C

Features: HD sunshade, auto light sensor dimming for buttons and LCD screen, LED blue light buttons, high quality processor, in-line waterproof fuse
Easy to use OSD menu function via buttons & remote:

image delay on time 0~15s,

(for side cameras) Mirror/Normal image,

multi-language, NEW!

1 / 3" COLOR CCD SENSOR SPECIFICATIONS

With Audio and IR

TV System: NTSC/PAL

Aluminum shelled waterproof camera with hex bolts for insured positioning

Image Type: CMOS, 1/3 Inch Color CCD Sharp® or SONY®

Horizontal Resolution: 700 TV Lines

Effective pixel: NTSC: 510 (H) × 492(V) PAL: 500(H)×582(V)

Illumination: 0 Lux (built-in 20 high output IR LED's for night vision)

Viewing angle: 120°

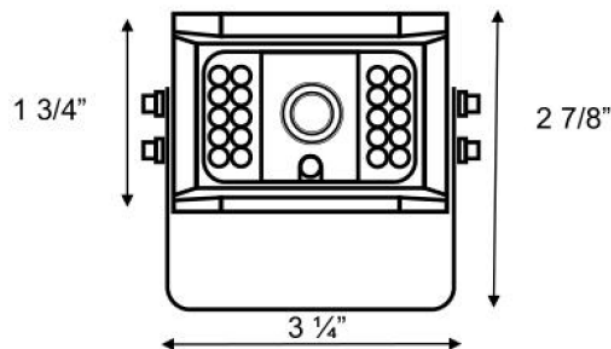
Aluminum housing.

Waterproof: IP69K

Shockproof: 10G

Operating temperature: -40°C to +70°C

Power supply: 12V DC (powered by monitor)



SYSTEM COMPONENTS



7-Inch HD monitor



Infrared Weatherproof Camera

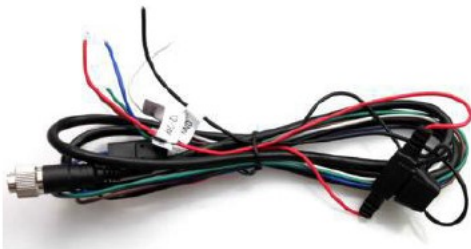


Remote controller

Batteries Required
CR2032
(Not Included)



3M antenna



Monitor power cable



Camera power cable

Remote Battery required is CR2025 (not included)

This monitor can be mounted on the dash and can be mounted on horizontal surfaces. Make sure the view is suitable to the driver to observe the images. Before mounting the system, permanently hook up all connections to ensure proper operation.

1. After determining the monitor location, position the monitor support bracket, mark the bolt hole location and then drill into any other surface that may be hidden.
2. Attach monitor bracket. Mount the monitor to the support bracket with supplied 4 angle adjustment screws.
3. If you prefer you can use a double sided tape to mount the bracket.

How to pair Monitor to Wireless Camera

1. Turn on the monitor using the power button and then use the camera button to select channel 1.
2. Press the MENU button on the monitor screen until you come to the "mate" interface.
3. Using the up button select the ON position, the monitor is now ready to mate with the camera.
4. Press and hold the cameras signal match button which is attached to the camera loom, this will "mate" the camera with the monitor and the camera image will appear on the screen.
5. You repeat this function with each channel to pair the appropriate camera.
6. This function allows you to determine which camera is on which channel.
7. On the main monitor wiring loom the colour codes are as listed below:

Red: 12V
Black: Ground

4 Trigger wires are as follows:
Green - Channel 1
Blue - Channel 2
Brown - Channel 3
Grey - Channel 4

If any of the above triggers are activated via a 12V supply it will turn the monitor on and switch that corresponding input on. Whilst that input is triggered you cannot access any other channels, i.e. that input now has priority.