

ABNORMAL OPERATION

Any of the following are considered to be abnormal operation and may require servicing:

- Yellow tipping of hob burner flame.
- Sooting up of cooking utensils.
- Burners not igniting properly.
- Burners failing to remain alight.
- Burners extinguished by cupboard doors.
- Gas valves which are difficult to turn.

WHO TO CONTACT

For service, please contact your authorised local Dometic Service Agent giving full details of the model, serial number and date of purchase. If you do not know who your local service agent is, please call Dometic on (03) 9545 5655.

*Specialists

Expert gas specialists are those specialists whose training, knowledge and practical experience guarantee that they will carry out the inspection correctly.



T. Nr.: 37 308

English (Australia, New Zealand)


Operating Instructions for Propane Gas Built-in-Cookers AGA Approval No. 6011

WARNING

This appliance must be installed by an authorized person*.

Please read these operating instructions carefully before using the appliance.

1. Validity

These operating instructions apply to the following 
Models CE99/41, CE 99/44, EK 2000

2. Initial Operation of the Appliance

- 2.1. Open the gas-bottle valve.
- 2.2. Open the cooker shut-off valve.
- 2.3. Turn the control knob of the relevant burner from the off-position (0-mark), anticlockwise to maximum. (High flame).
- 2.4. Push the knob in and hold it in this position.
- 2.5. Ignite the burner with a match or other suitable ignition device.
- 2.6. If the burner ignites the knob can be released after approximately 10 seconds.
- 2.7. The knob may now be set to the required burner position.
high flame = maximum position
low flame = minimum position
- 2.8. The entire ignition process should be clearly visible from above and not



SR s.r.o.

- Tehelná 8 • SK - 986 01 Ftakovo • Tel.: +421-47-4319100 •
- Fax: +421-47-4319177, 4319188 •

THIS UNIT IS SOLD AND SERVICED BY:

• DOMETIC PTY LTD, 6 TREForest DRIVE, CLAYTON, VICTORIA 3168, AUSTRALIA

obstructed by cooking utensils.

3. Switching off the Appliance.

- 3.1. Turn the control knob to the off-position, (0-mark) to extinguish the burner.
- 3.2. Close the cooker shut-off valve.
- 3.3. Close the bottle valve during longer periods of non-operation.

4. Action in case of Faults

- 4.1. If a fault occurs the appliance must be switched off (see above) and a specialist consulted.

5. Correct Use of the Cooker

- 5.1. Cooking Utensils
5.1.1. Care should be taken that utensils are placed in the middle of the ring and that flames do not rise above the rims.
- 5.1.2. Utensils with distorted bottoms must not be used .
- 5.2. Air Supply
5.2.1. Ventilation openings with a cross section of at least 150 cm² are essential in the room where the cooker is operated during operation of the burner(s). These openings may be closable but must be open during operation of the burner(s). (See the instructions displayed above the cooker).
- 5.2.2. The combustion air supply pipes should be checked from time to time and cleaned if necessary.
The burners must not be used as heaters.

WARNING: The burners must not be operated during refuelling or in garages.

DO NOT store or use gasoline or other flammable vapours, liquids or items in the vicinity of this or any other appliance.

DO NOT spray aerosols in the vicinity of this appliance while it is in operation.

Where this appliance is installed in marine craft or in caravans, it shall not be used as a space heater.

NEVER check for leaks with an open flame.

6. Instructions for Long Periods of Non-Operation

- 6.1. Turn the knobs to the off-position (0-mark)
- 6.2. Close the cooker shut-off valve.
- 6.3. Close the bottle valve.
- 6.4. After a long period of non-operation the appliance should be examined by a specialist.*

7. Care and Cleaning of the Appliance

- 7.1. A standard cleansing agent can be used to clean the appliance.
- 7.2. Allow the appliance to cool down before cleaning.
- 7.3. To avoid damage, the outer surface of the appliance should be cleaned using only a damp cloth without the addition of chemical or granular cleansing agents.

- 7.4. The burner head(s) must not be dismantled when cleaning the appliance.
- 7.5. Care must be taken that cleanser does not spill into the burner(s).
- 7.6. After longer journeys the appliance should be examined for any obvious damage or loose parts.

8. Maintenance

- 8.1. For safety reasons it is essential that the appliance be examined annually by a specialist for fault-free operation and any faults eliminated.
- 8.2. The following functions, in particular, should be checked during the annual service:
 - 8.2.1. Inspection of gas density.
 - 8.2.2. Inspection of burner safety and flame stability.
 - 8.2.3. Inspection of fresh air supply.
 - 8.2.4. Inspection of the safety and control fittings (burner taps).
- 8.3. During every service the cooker box should be examined in correlation with the appliance and should be checked against the relevant regulations.
- 8.4. If the flame openings of the burner heads become dirty or blocked, they must be cleaned.
- 8.5. The thermo-couple must not be dirty and the correct distance between the burner head and the thermo-element must be maintained (ca 2-4 mm).
- 8.6. The liquid gas supply system of appliances used in motorised vehicles should be tested by a specialist before initial operation and every two years thereafter, for tightness and function. A test conformance certificate should be issued by the specialist.* It is the user's responsibility to arrange these tests.
- 8.7. Pressure loss should be checked during the test.

9. General Safety Advice

- 9.1. If the smell of gas is detected:
 - 9.1.1. Close the bottle valve and leave it closed until the fault is repaired.
 - 9.1.2. Open all windows and leave the room.
 - 9.1.3. Do not turn on any electrical equipment and avoid the use of naked flame, which could ignite the gas.
 - 9.1.4. Consult a specialist.*
- 9.1.5. Under no circumstances attempt to find the leak with the aid of a naked flame.
- 9.2. Any alteration to the appliance can be dangerous and is not permitted.
- 9.3. Some parts of the appliance can become very hot: keep children away.

5. Servicing

For safety reasons it is essential that the appliance is tested annually, by a specialist, for fault-free operation, and any possible faults eliminated. The following functions, in particular, should be checked during the annual service.

- Inspection of the gas density.
- Inspection of the burner safety and flame stability.
- Inspection of the fresh air supply.
- ~~Inspection of the safety and control fittings (burner taps).~~

During every service the cooker box should be examined in correlation with the appliance and should be checked against the relevant regulations.

Should a cooker tap stick or prove difficult to turn, it should be replaced. If the flame openings in the burner heads become dirty or blocked, they must be cleaned or the burner heads must be replaced. Ensure also that the burner heads are securely fastened.

The thermo-couple must not be dirty and the correct distance between the burner head(s) and the thermo-couple must be maintained (ca 1-3 mm).

The liquid gas supply system of appliances used in motorised vehicles should be tested by a specialist, before initial operation and every two years thereafter, for tightness and function. Liquid gas appliances should be similarly tested annually. A test conformance certificate should be issued by the specialist.

It is the user's responsibility to arrange these tests.
The installer of the appliance must inform the user in writing about these compulsory tests.
The above points also apply to the stationary use of liquid gas equipment/appliances.

Pressure deficiency should also be checked during the test.

*Experts/Specialists

Expert gas specialists are those specialists whose training, knowledge and practical experience guarantee that they will carry out the inspection correctly.

Replacement Parts

When ordering replacement parts always state the cooker model, labeled on the appliance.

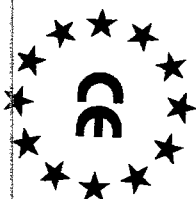
DOMETIC Slovakia s. r. o.

- Tehelná 8 • SK - 986 01 Fikakovo • Telephone: +421-47 4319100 •
- Telefax: +421-47 4319144, 4319166 • E-mail: dometic@dometic.sk •
- Internet: www.dometic.sk •

THIS UNIT IS SOLD AND SERVICED BY:

- ELECTROLUX LEISURE PTY LTD, 6 TREForest DRIVE, CLAYTON, VICTORIA 3168, AUSTRALIA
- ELECTROLUX LIMITED, 2ND FLOOR, CELLULAR HOUSE, 180-188 TARANAKI STREET, WELLINGTON, NEW ZEALAND

03/2008



T. Nr.: 38 140

Dometic


Installation Instructions for Dometic Propane Gas Built-in-Cookers

WARNING

This appliance must be installed by an authorised person.

Please read these operating instructions carefully before using the appliance.

1. Validity

These operating instructions apply to the following  Dometic
MODELS: CE99/41
CE99/44

2. Operating Instructions/Maintenance Contract

The user should use the operating instructions to familiarise him/herself with the operation of the appliance. The installer of the equipment must give the operating instructions to the user. A maintenance contract is recommended.

INSTALLATION INSTRUCTIONS

This appliance shall be installed in accordance with the manufacturer's installation instructions, local gas fitting regulations, municipal building codes, AG 601 and any other relevant statutory regulations.

DATA LABEL

The data label is located on the underside of the hob, towards the rear, centrally between the burners. A duplicate data label is supplied to adhere in an accessible area next to the hotplate. Ensure that the gas supply is Propane. This appliance is designed for use with Propane Gas and should not be converted for use with any other gas.

VENTILATION

Ventilation must be in accordance with AG 601 Installation Code. In general, the appliance should have adequate ventilation for complete combustion of gas, proper fueling and to maintain the temperature of immediate surroundings within safe limits.

LOCATION

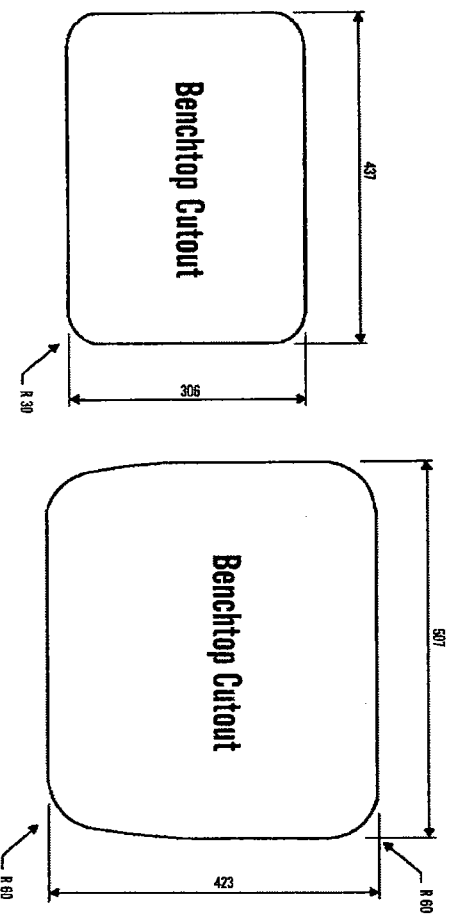
Choose a location free of draughts and open doors and clear of combustible materials or other fire hazards. The location should ensure convenience of operation and ~~service. Any adjoining wall surface situated within 200 mm from the edge of any~~ hob burner must be a suitable noncombustible material for a height of 150 mm for the entire length of the hotplate.

Any combustible construction above the hotplate must be at least 600 mm above the top of the burner and no construction shall be within 450 mm above the top of the burner.

A minimum depth of 85 mm from the top of the benchtop surface must be provided for the hotplate.

INSTALLATION

A cutout should be prepared in the benchtop as shown below.



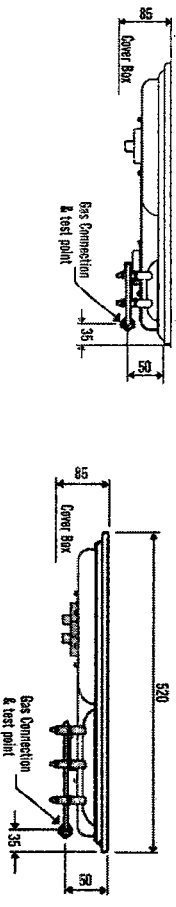
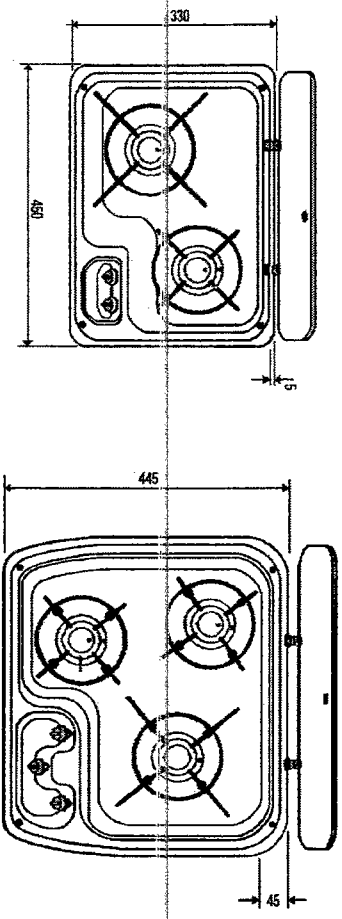
FITTING

Place the cover box into the benchtop cutout. Fit the rubber seal around the edge of the hotplate and fit the hotplate over the cover box. Rotate each corner clamp and clamp each corner by tightening each clamp screw.

CONNECTION

An 8 mm gas inlet connection is provided on the underside of the hotplate. Refer to the "Dimensions" section below for the location of the gas inlet. It is recommended that the appliance be connected by copper tubing using a 6 mm male iron (1/4 BSP) to 8 mm copper union.

3. DIMENSIONS



3.1 Pressure regulator

The cooker must be provided with a non-adjustable pressure regulator, which reduces the bottle pressure on the working pressure of the appliance. This appliance is only suitable for connection to Propane Gas, 2.75 kPa.

4. Testing

The appliance should be tested for fault-free operation after installation, alteration or servicing. It is essential that this inspection covers the following points:

- Inspection of the gas density.
- Inspection of the burner safety and flame stability.
- Inspection of the fresh air supply.
- Inspection of the safety and control fittings (burner taps).
- Inspection of all gas connections.

The pipe connections should be checked for leaks with soap and water. DO NOT use a naked flame for detecting leaks. When satisfied with the Appliance, please instruct the user on the correct method of operation. If the appliance fails to operate correctly after all checks have been made, refer to the authorised service provider in your area.