



Compact 4kg Front Load Washing Machine

aquaRV

Instructions for use



Introduction

Please read these instructions for use carefully and all other information enclosed with the washing machine.

Keep all documentation in a safe place for future reference or for any future owners.

This appliance is intended to be used in RV's and similar applications such as:

- Caravans
- Motor Homes
- Campers

If the appliance is used in a manner inconsistent with the above, it may reduce the life of the appliance and may void the manufacturer's warranty.

Any damage to the appliance or other damage or loss arising through use that is not consistent with RV use shall not be accepted by the manufacturer to the fullest extent permitted by law.

Notes on disposal

All packaging material used is environmentally-friendly and recyclable. Please dispose of the packaging via environmentally-friendly means.

Your local council will be able to give you details of current means of disposal

Valuable materials can be salvaged from an old appliance via scrap reprocessing.

Note: pull out the mains plug from any old appliance. Cut the power cable and dispose of it, together with the plug.

When disposing of an old washing machine, please ensure that the door lock is rendered inoperable to prevent children shutting themselves in the appliance.

Contents	Page
Introduction	2
General delivery notes	4
Safety notes	4
Quick start guide	5
Description of controls	6
Wash program guide	12
Program selector	14
Detergent drawer	16
Detergents, washing aids and amounts to use	17
Economical washing tips	19
Washing procedure	20
Cleaning and routine maintenance	22
Troubleshooting	24
Specifications	25
Setup & Installation	26
Warranty Statement	28

BEFORE SWITCHING ON THE APPLIANCE MAKE SURE IT IS CORRECTLY INSTALLED AND THAT THE FIXING SCREWS ARE REMOVED AS SHOWN ON PAGE 26.

General delivery notes

Please check that the following items are delivered with the appliance:

- Instruction manual
- Inlet hose

Check that no damage has occurred during transit, and if so, call your nearest Authorised Camec Dealer.

Safety notes.

Note:

For cleaning or maintenance of the washing machine.

- A) Turn off the power point and pull out the plug.
- B) Turn off the tap.
- C) Ensure that the mains supply is earthed, and if it is not, seek assistance from a qualified person.
- D) Do not touch the appliance when your hands or feet are wet or damp. Do not use the appliance with bare feet.
- E) The use of adapters, multiple connectors and/or extension cords is not recommended.

Note:

Water temperature can reach 90°C during the wash cycle.

- F) Check there is no water left in the drum before opening the door.
- G) This appliance is not intended for use by persons (including children) with reduced physical, sensory or mental capabilities, or lack of experience and knowledge, unless they have been given supervision or instruction concerning use of the appliance by a person responsible for their safety. Children should be supervised to ensure that they do not play with the appliance.
- H) Do not pull the power cable or the appliance itself to remove the plug from the socket.
- I) The appliance must not be exposed to weather conditions (rain, direct sun, etc...)
- L) When moving the appliance never lift it by the controls or by the detergent drawer.

M) Note!

If the appliance is installed on a carpeted floor ensure that the ventilation holes on the base of the appliance are not obstructed.

N) If the appliance is not running properly or breaks down, switch it off, turn off the tap and do not tamper with the appliance.

Consult only an authorised Camec Dealer for possible repair.

Failure to comply with the above can compromise the safety of the appliance.

Quick start guide

Washing

- Open the door by using the handle “A” (Fig. 1, page 6)
- Select laundry and put it in the machine.
- Close the door.
- Put detergent in the compartment(s) as indicated in the program guide in this instruction manual.
- Select program.
- The display will show the settings for the program selected.

Press additional function buttons (if required)

- Press the “Start/Pause” button (page 7)
- The program will start.

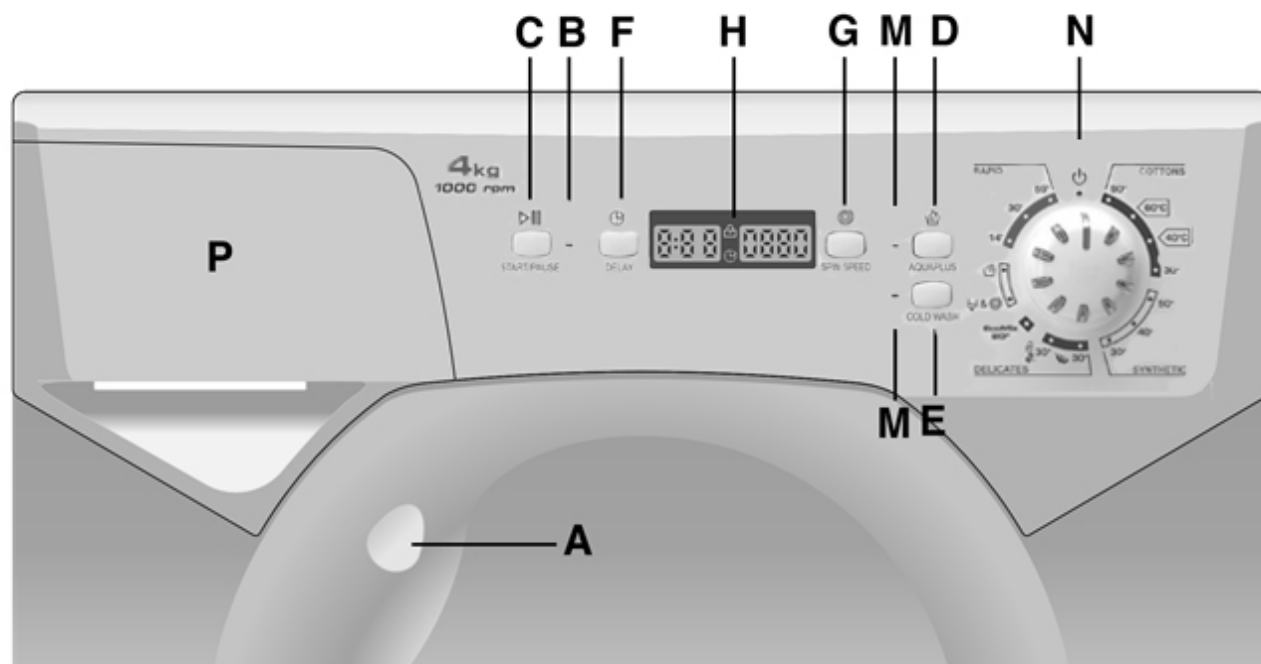
After washing

- The word “End” will appear on the display.
- **Wait for the door lock to be released** (about 2 minutes after the program has finished).
The “Door Security” indicator light will go out.
- Switch off the washing machine by turning the selector to the “OFF” position.
- Open the door and remove the laundry.

Ensure that the machine is correctly installed in line with the instructions found on page 26.

Description of controls

Fig. 1



Door handle	A
Programme Start light	B
“Start/Pause” button	C
“Aquaplus” button	D
“Cold wash” button	E
“Delay start” button	F
“Spin Speed” button	G
LCD Display	H
Button indicator lights	M
Programme selector with “OFF” position	N
Detergent drawer	P

Door handle

A

Press the finger-bar inside the door handle to open the door.

Program Start light

B

This lights up when the START button has been pressed.

“START/PAUSE” function

C

Press to start the selected cycle .

NOTE: When the "Start/Pause" button has been pressed, the appliance can take few seconds before it starts operating.

Changing the settings after the program has started (PAUSE)

Press and hold the “START/PAUSE” button for about 2 seconds. Flashing lights on the option buttons & time remaining indicator will indicate that the machine has been paused. Adjust as required and press the “START/PAUSE” button again to resume washing. If you wish to add or remove items during the wash cycle, wait 2 minutes until the safety device unlocks the door.

When you have done this, close the door, press the "**Start/Pause**" button and the appliance will continue the cycle where it left off.

CANCELLING A PROGRAM

To cancel a program, turn the selector to the OFF position.

Select a different program.

Re-set the program selector to the “OFF” position.

Note: Cycle option buttons should be selected before pressing the "Start/Pause" button.

AQUAPLUS function



D

Pressing this button activates a special new wash cycle in the **Cotton** and **Mixed Fabrics** programs, thanks to a new Sensor System. This option treats the fibers of garments with care and therefore is a useful feature for people with delicate skin.

The load is washed in a much larger quantity of water and this, together with a specialised combined action of the drum rotation cycles, where water is filled and emptied, will ensure your garments have been cleaned and rinsed to perfection. The amount of water in the wash is increased so that the detergent dissolves perfectly, ensuring an efficient cleaning action. The amount of water is also increased during the rinse procedure so as to remove all traces of detergent from the fibers.

This function has been specifically designed for people with delicate and sensitive skin, for whom even a very small amount of detergent can cause irritation or allergy. You can also use this function for children's clothing and for delicate fabrics in general, or when washing garments made of toweling, where the fibers tend to absorb a greater quantity of detergent.

To ensure the best performance for your wash, this function is always activated on the Delicates and Woolens/Hand wash programs.

"COLD WASH" function



E

By pressing this button it is possible to convert every program into a cold washing one, without modifying other settings (water level, times, etc...).

“DELAY START” button

F

This button allows you to delay the start of the cycle for up to 24 hours.

To delay the start use the following procedure:

Set the required program.

Press the “Delay Start” button once to activate it (h00 appears on the display) and then press it again to set a 1 hour delay (h01 appears on the display); the pre-set delay increases by 1 hour each time the button is pressed, until h24 appears on the display, at which point pressing the button again will reset the delay start to zero. Confirm by pressing the “START/PAUSE” button (the light on the display starts to flash). The countdown will begin and when it has finished the program will start automatically.

It is possible to cancel the delay start function with the following procedure:

Press and hold the button for 5 seconds until the display shows the settings for the program selected.

At this stage it is possible to start the program previously selected by pressing the “START/PAUSE” button or to cancel the process by setting the selector to the OFF position and then selecting another program.

SPIN SPEED function

G

The spin cycle is very important to remove as much water as possible from the laundry without damaging the fabrics. You can adjust the spin speed of the machine to suit your needs.

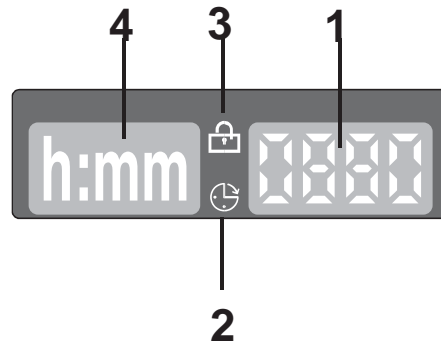
By pressing this button, it is possible to reduce the maximum speed, and if you wish, the spin cycle can be cancelled.

To reactivate the spin cycle you can press the button until you reach the spin speed you would like to set.

To help protect your fabrics, it is not possible to increase the spin speed above the speed automatically set by the wash program.

It is possible to modify the spin speed at any time without pausing the machine.

“DIGITAL” Display



The display's indicator system allows you to be constantly informed of the status of the washing machine:

1) SPIN SPEED

Once the program has been selected, the maximum spin speed allowed for that program appears on the display. Pressing the spin button will reduce the speed by 100 rpm each time the button is pressed. The minimum speed allowed is 400 rpm, or it is possible to omit the spin cycle by pressing the spin button repeatedly.

2) DELAY START LIGHT

This flashes when the delayed start has been activated.

3) “DOOR SECURITY” indicator light

The “**Door Security**” indicator light is illuminated when the door is fully closed and the machine is ON. When “**Start/Pause**” is pressed on the machine with the door closed the indicator will flash momentarily and then illuminate.

If the door is not closed the indicator will continue to flash.

A special safety setting prevents the door from being opened immediately after the end of the cycle. Please wait for 2 minutes after the wash cycle has finished and the “**Door Security**” light has gone out before opening the door. At the end of the cycle turn the program selector to “**OFF**”.

4) CYCLE DURATION

When a program is selected the display automatically shows the cycle duration, which can vary depending on the options selected. Once the program has started the display will indicate the time remaining to the end of the wash.

The appliance calculates the time to the end of the selected program based upon a standard loading. During the cycle, the appliance corrects the time based on the size and composition of the load.

Button indicator lights

M

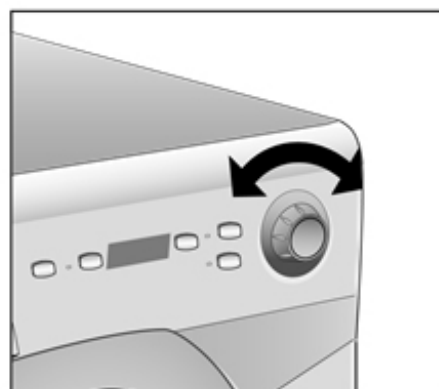
These light up when the relevant buttons are pressed.

If an option is selected that is not compatible with the selected programme then the light on the button first flashes and then goes off.

PROGRAM selector with "OFF" position

N

WHEN THE PROGRAMME SELECTOR IS TURNED THE DISPLAY LIGHTS UP TO SHOW THE SETTINGS FOR THE PROGRAMME SELECTED. FOR ENERGY SAVING, AT THE END OF THE CYCLE OR WITH A PERIOD OF INACTIVITY, THE DISPLAY BRIGHTNESS WILL DECREASE. N.B. TO SWITCH THE MACHINE OFF, TURN THE PROGRAMME SELECTOR TO THE "OFF" POSITION.



Press the **"Start/Pause"** button to start the selected cycle.







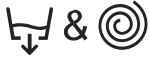

Once a programme is selected the programme selector should remain set on the selected programme until the cycle ends.

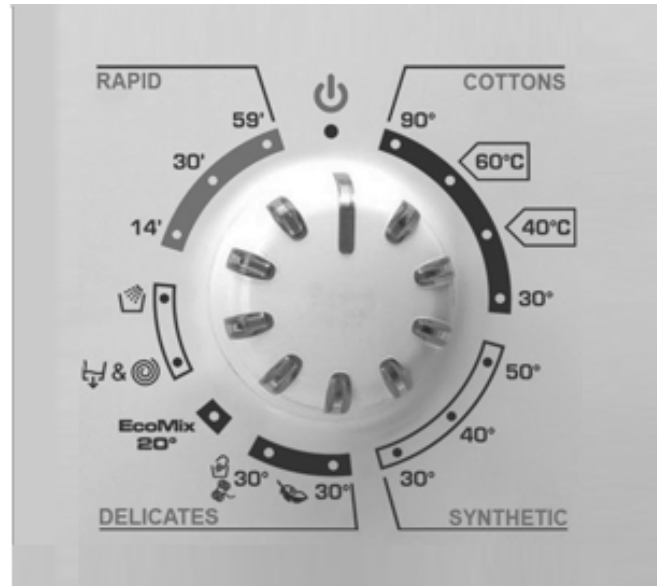
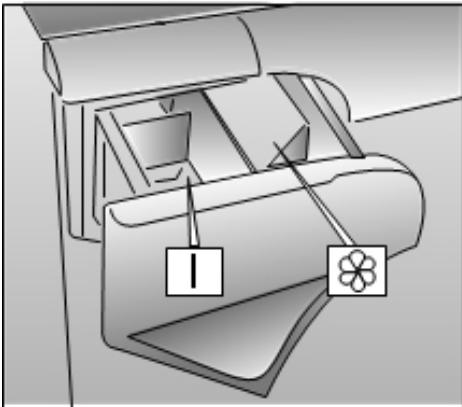
Switch off the washing machine by turning the selector to **"OFF"**.

Note:

The programme selector must be returned to the "OFF" position at the end of each cycle or when starting a subsequent wash cycle prior to the next programme being selected and started.

WASH PROGRAMME GUIDE

PROGRAM FOR:	PROGRAMME SELECTOR ON:	WEIGHT MAX kg	TEMP. °C	DETERGENT SOFTNER		
				I		
Cottons Cotton, linen	Whites	90°	4	90°	●	●
Cotton, mixed	Fast coloured's	 60°C **	4	60°	●	●
	Fast coloured's	 40°C **	4	40°	●	●
	Non fast coloured's	30°	4	30°	●	●
Synthetics Nylon, perlon, mixed cotton	Fast coloured's	50°	2	50°	●	●
	Non fast coloured's	40°	2	40°	●	●
Mixed, delicate synthetics	Shirts 	30°	2	30°	●	●
Delicates	Delicates 	30°	2	30°	●	●
	"MACHINE WASHABLE" woolens Hand wash 	30°	1	30°	●	●
Rapid & Special Programmes	EcoMix 20°	EcoMix 20°	4	20°	●	●
	Fast spin/ Drain only		-	-		
	Rinse		-	-		●
	Rapid Daily wash 14'	14'	1	30°	●	●
	Rapid Daily wash 30'	30' ■	2	30°	●	●
	Resistant fabrics	59'	2	40°	●	●



Please read these notes

** STANDARD COTTON PROGRAMMES ACCORDING TO (EU) No 1015/2010 and No 1061/2010

COTTON PROGRAMME with a temperature of 60°C
 COTTON PROGRAMME with a temperature of 40°C

These programmes are suitable to clean normally soiled cotton laundry and they are the most efficient programmes in terms of combined energy and water consumption for washing cotton laundry.

These programmes have been developed to be compliant with the temperature on the wash label on the garments and the actual water temperature may slightly differ from the declared temperature of the cycle.

■ The 30 minute rapid program can also be used as a prewash cycle in the case of heavily soiled garments, before selecting the main wash program.

Program selector

For the various types of fabrics and various degrees of dirt the washing machine has different program bands according to: wash cycle, temperature and length of cycle (see table of washing cycle programs on P12).

COTTONS

The cottons programs have been designed for a quality wash and the rinses, with specific spin intervals, ensure perfect rinsing. The final spin gives the most efficient removal of water.



MIXED AND SYNTHETIC FABRICS

The main wash and the rinse gives best results due to the rotation cycles of the drum and specific water levels. A gentle spin ensures that the fabrics are less creased.



DELICATES

This is a new style wash cycle which alternates washing and soaking and is particularly recommended for very delicate fabrics. The wash cycle and corresponding rinses are carried out with high water levels to ensure the best results.



WOOL & HAND WASH PROGRAM

This program allows for a complete washing cycle for garments specified as "Machine-Washable" Wool fabrics and laundry items specified as "Hand Wash only" on the fabric label. The program has a maximum temperature of 30°C and concludes with 3 rinses, one for fabric conditioner, and a slow spin.



"EcoMix" PROGRAM

This innovative program allows you to wash different fabrics and colours together, such as cottons, synthetics and mixed fabrics at only 20°C and provides an excellent cleaning performance. Consumption on this program is about 40% that of a conventional 40°C. cottons wash.





FAST SPIN & DRAIN

The spin program completes the spin at the maximum spin speed. This can be reduced by using the Spin Speed option button or excluded if you want to drain only.

DEDICATED “RINSE” PROGRAM

This program carries out three rinses with an intermediate spin (which can be excluded by using the correct button). It can be used for rinsing any type of fabric, eg. use after hand-washing.



DAILY WASH 30°C – RAPID 14'

A complete washing cycle (wash, rinse and spin); able to wash in approximately 14 minutes:

- a maximum load of 1 kg;
- lightly soiled fabrics (cotton and mixed fabrics)

It is recommended with this program that a 20% detergent loading dose (compared to the normal one) is used in order to avoid detergent waste.

14'

DAILY WASH 30°C – RAPID 30'

A complete washing cycle (wash, rinse and spin); able to wash in approximately 30 minutes:

- a maximum load of 2 kg;
- lightly soiled fabrics (cotton and mixed fabrics)

It is recommended with this program that a 20% detergent loading dose (compared to the normal one) is used in order to avoid detergent waste.

30'

RAPID 59'

This specially designed program maintains a high quality wash performance whilst greatly reducing the wash time. The program is designed for a maximum load of 2 kg with a temperature of 40°C and concludes with 2 rinses and a high speed spin sequence.

59'

Auto load level

The washing machine is equipped with a self-adjusting water level system.

This system enables the machine to use the amount of water needed to wash and rinse the laundry in relation to the particular load.

This results in a reduction of the water and electricity used, without in any way compromising the washing and rinsing performance.

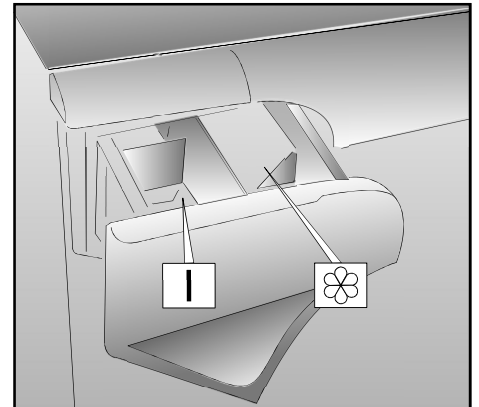
In fact the amount of water and electricity used will always be appropriate for the clothes load. The washing machine automatically ensures excellent washing results at minimum cost whilst respecting the environment.

Detergent drawer

P

The detergent drawer is split into 2 compartments:

- The compartment labelled "I" is for main wash detergent.
- The compartment labelled "☼" is for special additives ie. fabric softeners, fragrances, starch, brighteners etc.



**IMPORTANT:
ONLY USE LIQUID PRODUCTS IN THE
SECOND COMPARTMENT.**

Detergents, washing aids and amounts to use

Choice of detergent

General purpose detergents

- **Powder detergents.** *For a thorough wash, with bleaching agent, particularly suitable for use in hot wash programmes (60°C and over), for heavily soiled and stained laundry.*
- **Liquid detergents.** *Particularly suitable for grease stains, such as greasy skin marks, cosmetics and oil.
These detergents may not be as effective for washing stained laundry, as they may not contain bleach.*
- **Please only use detergents specified for use with “Front Load” washing machine.**

Additional laundry aids

- **Prewash substances.** For the programmed treatment of stains prior to the main wash. Using them means the subsequent wash can be at a low temperature or with bleach-free detergents.
- **Fabric softener.** Prevents static build-up in synthetic fabrics and softens fabrics. If you use a tumble dryer, clothes are softened even without the use of a fabric softener.

Do not put solvents in the washing machine!

Keep detergents and other laundry products out of children's reach.

Before pouring in the detergent check that there are no foreign bodies in the detergent drawer.

Dosage details are usually shown on the detergent packaging. Please follow those instructions.

Dosages

Only use detergents which are suitable for use in a Front Load washing machine.

You will obtain the best results from your wash with the minimum use of chemical products and the best care for your laundry if you take into consideration the degree of soiling as well as the type of detergent to choose.

The amount of detergent to use depends on:

- the degree of soiling: it is possible to reduce the amount of detergent used depending on how dirty the load is.
- amount of laundry: it is possible to reduce the amount of detergent when washing only a small amount of laundry.

Liquid detergent dosage

Liquid detergents should be used in accordance with the instructions supplied by the brand and poured in to the first compartment of the detergent drawer.

Powder detergent dosage

For concentrated powder detergents, follow the manufacturer's instructions as to how much detergent to add to the wash. |

For standard and low concentration detergents: for normally soiled laundry choose a program without prewash.

Put the detergent in compartment "2" of the drawer.

For heavily soiled laundry, choose a program with prewash.

Put 1/4 of the detergent in compartment "1", 3/4 in compartment "2" of the drawer.

Economical Washing Tips

Tips on using your appliance in the most environmentally-friendly and economical way.

Do a full load in your washing machine

To prevent any possible waste of energy, water or detergent we recommend that you put a full load in your washing machine, not exceeding the recommended maximum load size. Up to 50% energy saving can be made with one full load compared to two half load washes

When is prewashing really needed?

Only with particularly dirty loads.

Energy savings of 5 to 15% can be made by not selecting the prewash option for normal soiled laundry.

Which wash temperature should you choose?

Using stain removers before machine washing reduces the need to wash at temperatures over 60°C.

Energy savings of up to 50% can be made by using a 60°C wash temperature rather than 90°C.

Washing Procedure

Sorting the laundry

- It is recommended you wash only items which are machine washable with water and detergent and not dry-clean items.
- If you need to wash rugs, bedspreads or other heavy items, it is best not to spin them.
- Sort the laundry according to fabric type, degree of soiling and wash temperature: Always follow the wash care advice on the garment label for the most suitable care and treatment of the laundry

Laundry for hot wash 

Coloured, easy-care materials   

Delicates and wool  

Wash by hand 

Items labelled with the following symbol are not suitable for machine washing:

Dry clean 

For very delicate items, such as net curtains, underwear, stockings etc., you are advised to use a laundry net or wash bag.

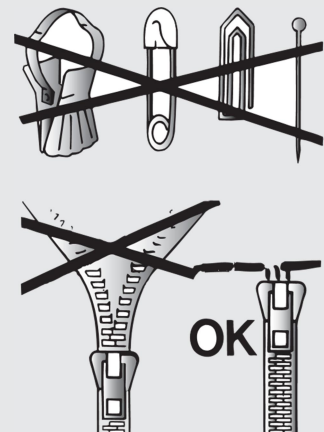
- Woolen items should be labelled with the "Pure New Wool" symbol to be washed in the machine, and should also be labelled "non-matting" or "machine washable".
- Colour often leaks from new coloured items.
This can then colour other lighter items being washed.

It is therefore recommended that coloured items should be washed for the first time separately.

For subsequent washes, colourfast items should only be washed with whites up to 40°C.

Note: when sorting laundry

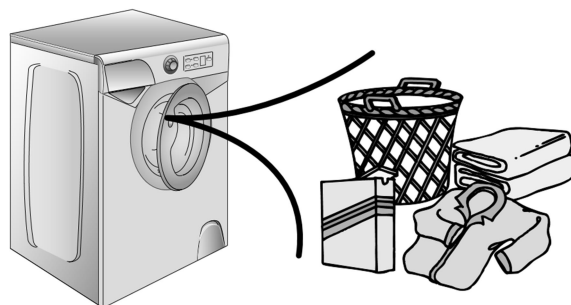
- check that there are no metal objects in the laundry (such as paper clips, safety pins, pins, coins etc...);
- button up pillowcases, fasten zips, hook & eye fasteners, belts and long dressing gown cords;
- remove curtain hooks;
- pay close attention to the labels on items
- if you notice stubborn stains whilst sorting the laundry, remove them using a special detergent or a dedicated stain remover.



Washing Procedure cont'd

Preparing the laundry

A) Select the laundry.



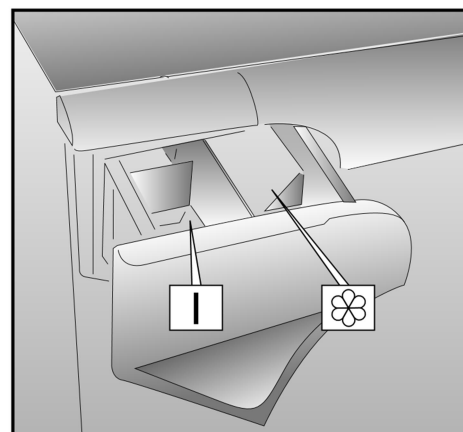
Loading the laundry

B) Open the door.

C) Put the laundry in the washing machine.
Close the door again, ensuring that no items of laundry are obstructing the lock.

Putting detergent in machine

D) Open the drawer, choose the detergent and put it in the correct amount, according to the manufacturer's instructions and the advice on page 17.
Add any other laundry aids (see page 17).
Close the drawer again.



Selecting the wash program

Refer to the program guide or the program descriptions on the machine to select the most suitable program.

Turn the selector knob: the required program is activated.

Press additional function buttons (if required).

Check that the tap is turned on and that the drainage hose is positioned correctly.

Press the "**Start/Pause**" button.

The program runs with the program selector stationary on the selected program until cycle ends.

Note: If there is any disruption in the power supply while the machine is operating, a special memory stores the selected program and, when the power is restored, it continues where it left off.

When the program is finished

The word "End" will appear on the display.

Wait for the door lock to be released (about 2 minutes after the program has finished). The "**Door Security**" indicator light will go out.

Switch off the machine by turning the program selector on the "**OFF**" position. Open the door and remove the laundry. Turn off the tap.

Cleaning and routine maintenance

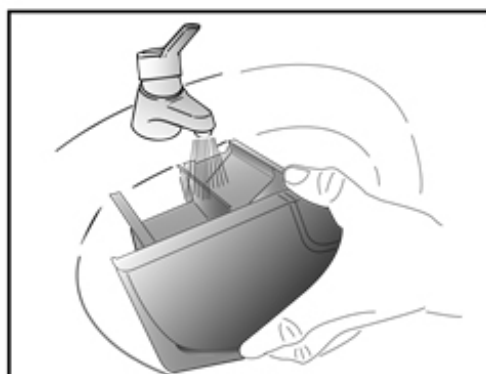
Do not use alcohol-based scourers and /or thinners on the outside of your washing machine, just a wipe with a damp cloth will suffice. The washing machine needs very little maintenance:

- Cleaning the drawer compartments.
- Cleaning the filter.

Cleaning the drawer compartments

Even if not strictly necessary, it is good to clean the compartments for cleaching detergents and additives occasionally.

- To do this you just need to pull the drawer out firmly, but without forcing it.
- Clean everything in the compartment under running water.
- Put the draw back in its cavity.



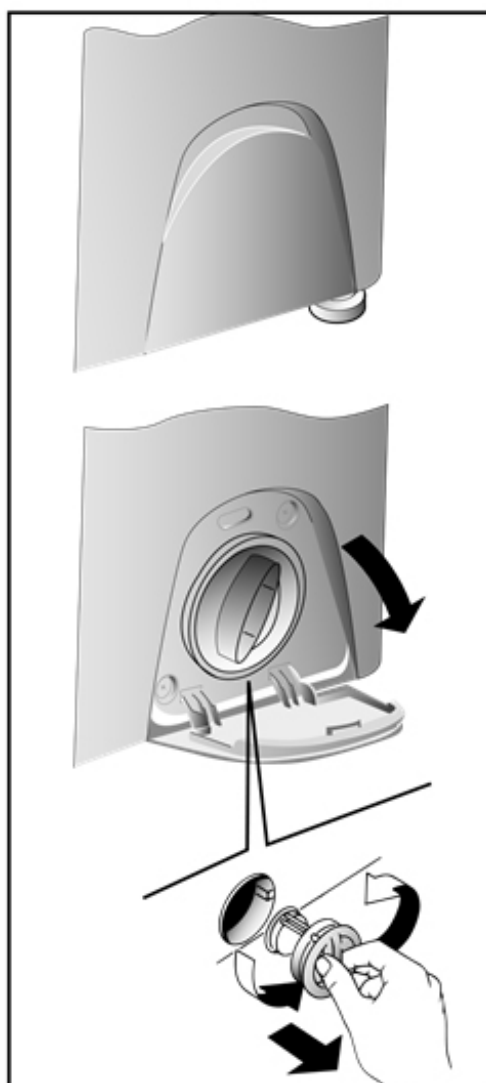
Cleaning the filter

The washing machine is fitted with a special filter for handling large deposits which could block the drainage hose (coins, buttons etc.) and which can, therefore, be easily retrieved.

We recommend that the filter can cleaned at least once a month or every 30 washes (depending on machine usage)

The cleaning operation is as follows:

- Open the lid as show in the illustration
- Turn the filter anti-clockwise until it stops in the verticle position. Remove and clean
- After cleaning, replace the filter, replace by turning the notch at the end of the filter clockwise. Then follow the procedures above in reverse order.
- Close the lid.



Attention: if the filter needs cleaning while there is washing still in the drum, follow the instructions on the following page to empty the water. This will prevent excessive loss of water via the filter.

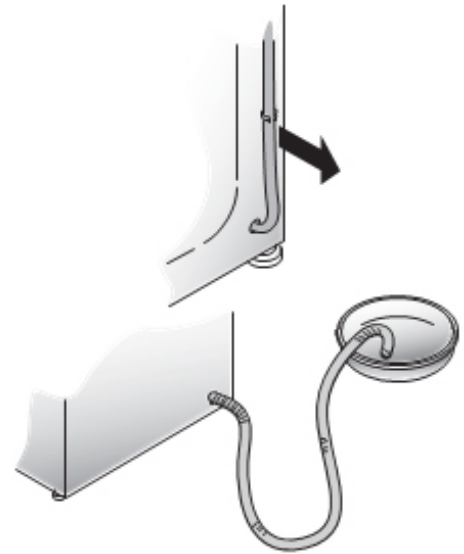
Cleaning the door glass

Regularly clean the door glass with a damp cloth. A build up of soiling and residues from the water may result in water leaking from the door. Do not use abrasive cleaners as they can scratch the surface.

Storing the appliance or long periods when appliance is not in use

If the appliance is being stored or is out of use for long periods, all remaining water must be completely removed from the hoses. Ensure the mains power is off, then unhook the drainage hose and point it downwards into a basin until all the water has emptied out.

When finished, put the drainage hose buck in its correct location.



TROUBLESHOOTING

Possible causes of problems and their remedies...

FAULT	CAUSE	REMEDY
1 Does not function on any program	Mains plug not plugged in	Insert plug
	Mains switch not on	Turn on mains switch
	No power	Check RV 240V power supply
	Electric circuit fuses failure	Check fuses/breakers
	Load door open	Close load door
2. Does not fill with water	See cause 1	Check
	Inlet tap turned off	Turn on water inlet tap
	Timer not set correctly	Turn off timer or change the setting
3. Does not drain water	Drain hose bent	Straighten drain hose
	Blocked filter	Check filter
4. Water on floor around washing machine	Leak from the washer between the tap and inlet hose	Replace washer and tighten the hose on the tap
5. Does not spin	The washing machine has not drained all of the water	Wait a few minutes until the machine has finished draining
	"No spin" setting	Turn the program dial onto spin setting
6. Strong vibrations during spin	Washing machine not perfectly level	Adjust leveling feet
	Transport bracket not removed	Remove transport brackets
	Washing load not evenly distributed	Distribute the washing evenly
7. Display reads error 0,1,5,7,8, 9	-	Call Camec Authorised Repairer
8. Display reads error 2	No water fill.	Check water supply is turned on.
9. Display reads error 3	No pump out.	Check drain is clear. Check drain hose is not kinked.
10. Display reads error 4	Machine overfilled with water.	Turn off water supply to machine. Call service.

NOTE:

THE MACHINE IS FITTED WITH A SPECIAL SENSOR, WHICH MANAGES & ADJUSTS THE SPIN CYCLE SHOULD THE LOAD BE UNBALANCED. THIS REDUCES THE NOISE AND VIBRATION IN THE MACHINE AND ALSO PROLONGS THE LIFE OF YOUR MACHINE.

If the fault should persist, contact a Camec Authorised repairer.

Important

1 The use of environmentally friendly detergents without phosphates may produce the following results:

- The used rinse water may be cloudier due to the presence of zeolites in suspension. This does not compromise the efficiency of the rinses.
- The presence of white powder (zeolites) on the washing at the end of the washing cycle. This does not remain embedded in the fabric and does not alter the colour.
- The presence of foam in the last rinse water which is not necessarily a sign of inadequate rinsing.

2 If your washing machine fails to function, carry out the checks on the previous page before contacting a Camec Authorised Dealer.

Specifications

- Max. load of dry laundry
- Water pressure
- Max spin speed
- Max water usage per cycle
- Rated Voltage
- Current Consumption

4 kg

0,05 - 0,8 MPa

1000 RPM

38.3L

240V @ 50Hz

110W Cold Wash
230W Spin Dry
1300W Complete
Hot Wash

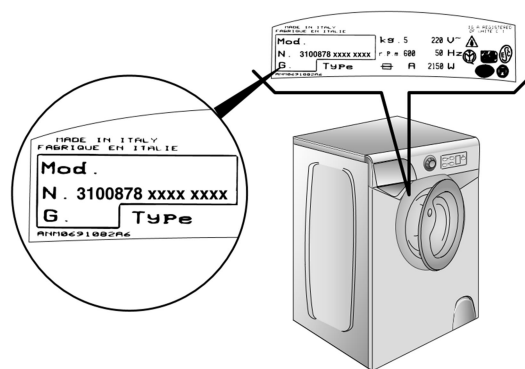
Measurements

- Width
- Depth
- Height

510 mm

430 mm

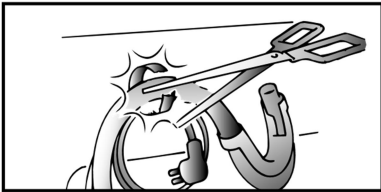
700 mm



NB: For further specifications regarding electrical data, see the data panel on the front of the washing machine (door area) - as shown in diagram above.

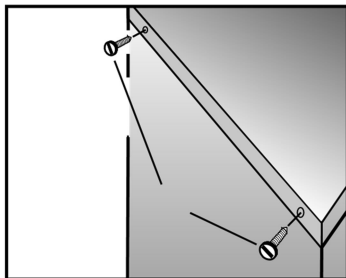
SETUP & INSTALLATION

Remove the polystyrene base and place the machine near its permanent position.



Carefully cut through the hose retaining clip at the rear of the appliance (diagram 1).

Unscrew the two top screws **A** and remove the top cover, sliding it off horizontally (diagram 2).

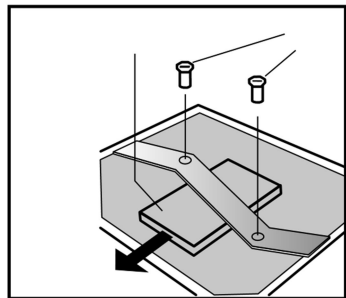


Remove the cardboard protection.

Unscrew the two bolts **B** on the crosspiece (with 19mm spanner) & remove the polystyrene spacer under it (diagram 3).

Please do not re-fit the bolts.

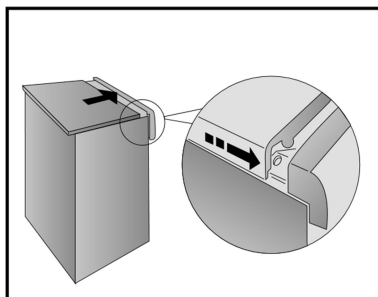
IMPORTANT: DO NOT REMOVE THE FOAM ON TOP THE CROSSPIECE.



Replace the cover with the two screws **A**.

Please ensure when fitting the cover that the locating pins are inserted correctly in their slots, positioned on the side of the cabinet as shown in the diagram 4.

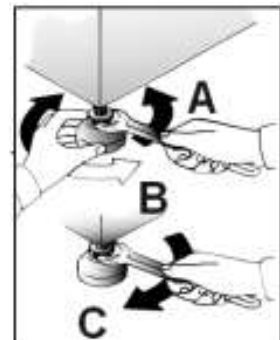
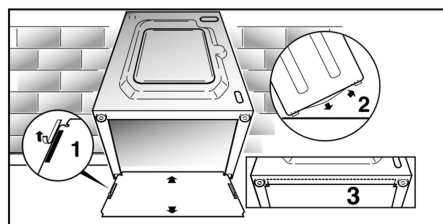
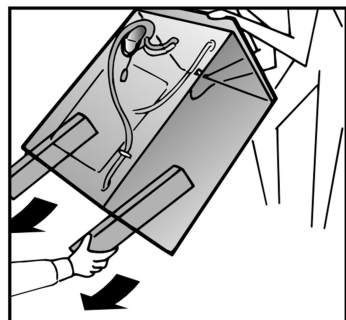
Lean the machine forward and remove the plastic bags containing the two polystyrene blocks at the sides, plugging downwards (diagram 5).



WARNING:

DO NOT LEAVE THE PACKAGING WITHIN REACH OF CHILDREN AS IT IS A POTENTIAL SOURCE OF DANGER.

Apply the sheet of corrugated insulation material to the base as show in the diagram 6.



Level the machine using the front feet Turn the nut clockwise to unlock the screw adjuster.

Rotate the foot to raise or lower the machine until it stands evenly on the RV floor.
Lock the foot in position by turning the nut anti-clockwise until it touches the machine,.

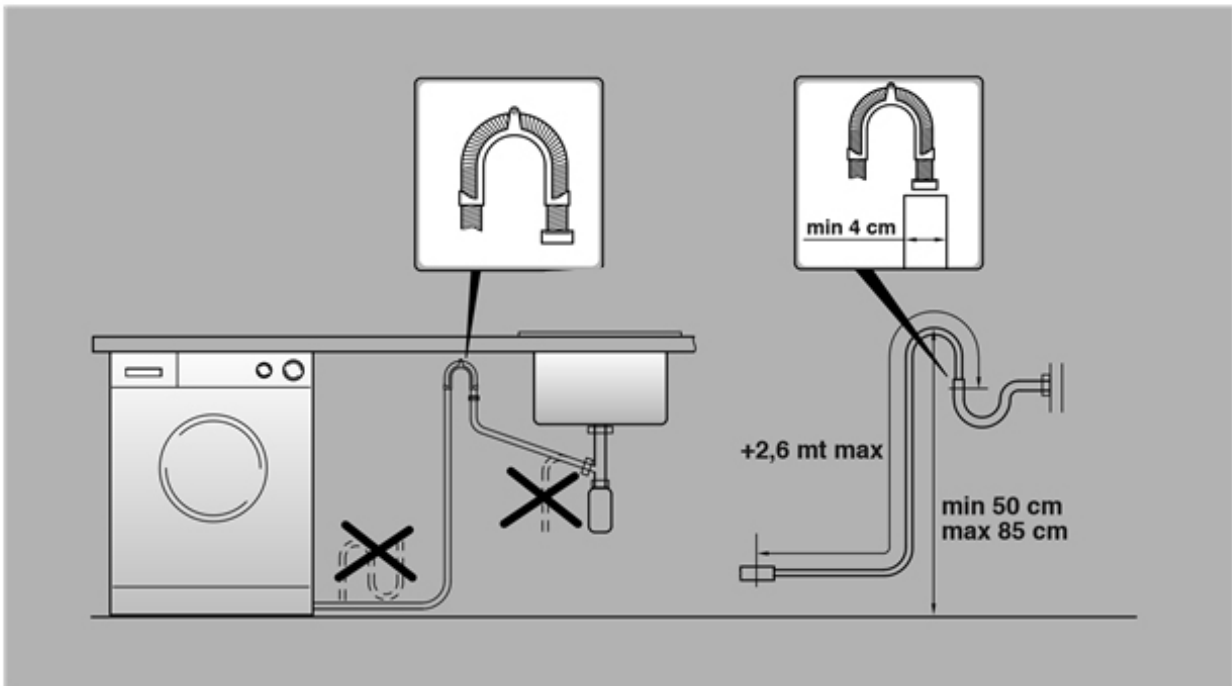
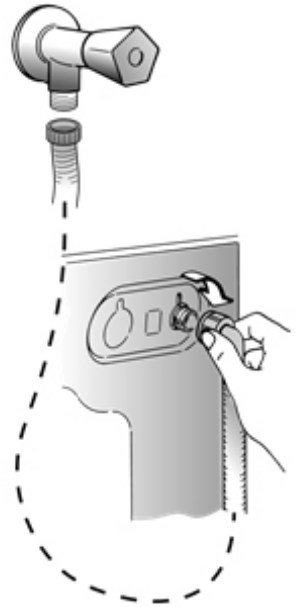
Water connection

The appliance must be connected to the water mains using the new hose supplied.

Old hoses should not be re-used.

The machine has an inlet hose with 3/4" B.S.P threaded end connection to attach between the threaded connector on the appliance and the cold water supply.

This machine only uses cold water, therefore only one hose is needed to connect to the cold water supply. Do not connect to the hot supply. Cold fill is an energy efficient system. Only the water required for the washing is heated. There is no loss of heat in the pipeline from a hot water tank to the machine.



Note: it is advisable to turn off the tap after each wash to isolate the washing machine from the water supply.

For the washing machine to function properly the terminal end of the drain hose (mouth) must be at a minimum of 50 cm and a maximum of 85 cm from the ground.

ELECTRICAL CONNECTIONS

This washing machine is specified to operate at a voltage of 220-240 V, 50 Hz single-phase.

After installation, the appliance must be positioned so that the plug is accessible. The socket in your RV and the plug on the appliance must be of the same type. It is generally not advisable to use multiple adapters and/or extension leads.

WARRANTY

PRODUCT WARRANTY: IMPORTANT INFORMATION PLEASE READ CAREFULLY:

If your product is faulty or you are experiencing difficulties using this product and require assistance please call our warranty hotline in your appropriate country:

Camec Australia Pty Ltd
47-63 Remington Drive, Dandenong South VIC 3175

**Warranty
Hotline: 1300 654 936**

Camec New Zealand
44 Montgomerie Road, Mangere, Auckland NZ

**Warranty
Hotline: 09 225 1910**

1.0 Definitions

The terms listed below shall have the following meanings:

"**Camec**" means Camec Pty Ltd (ACN 004 846 584) of 47-63 Remington Drive, Dandenong South, Victoria 3175.

"**Purchaser**" means the persons, firm or company being supplied with Products and / or services.

"**Product**" means the equipment purchased by the Purchaser to which this Warranty applies.

"**Manufacturer**" means the original company who created the Product.

2.0 Terms of Warranty

2.1 Camec warrants that, subject to the exclusions and limitations below, the Product will be free from defects in materials and workmanship under normal use and maintenance for a period of 12 months from the date of supply to the original Purchaser ("Warranty Period"), unless otherwise specified.

2.2 The date of supply to the Purchaser must be evidenced by the original invoice.

2.3 If a defect appears in the Product before the end of the Warranty Period and Camec finds the Product to be defective in materials or workmanship, Camec will, in its sole discretion, either:

- a) replace or repair the Product or the defective part of the Product free of charge;
- b) cause the Product or the defective part of the Product to be repaired or replaced by a qualified repairer free of charge; or
- c) provide payment of the cost of having the Product replaced (or acquiring an equivalent Product) or repaired, or services re-supplied.

2.4 Camec reserves the right to replace defective parts of the Product with parts and components of similar quality, grade or composition where an identical part or component is not available.

2.5 Products presented for repair may be replaced by refurbished goods of the same type rather than being repaired. Refurbished parts may be used to repair the Products.

2.6 This Warranty is in addition to any warranties imposed by Australian & New Zealand State and Federal legislation that cannot be excluded.

2.7 Our goods come with guarantees that cannot be excluded under the Australian Consumer Law ("ACL"). You are entitled to a replacement or refund for a major failure and for compensation for any other reasonably foreseeable loss or damage. You are entitled to have the goods repaired or replaced if the goods fail to be of acceptable quality and the failure does not amount to a major failure.

3.0 Exclusions

3.1 The Warranty will not apply where:

- a) the Product has been on-sold or assigned by the Purchaser;
- b) the Product has been re-installed;
- c) the Product has been modified or repaired by someone other than Camec or an authorised Camec agent;
- d) the Product's defect has arisen due to the Purchaser's failure to properly install, fit, maintain, service or use the Product in accordance with the specifications and instructions provided by the Manufacturer, including a failure to comply with the relevant maintenance schedule (where applicable);
- e) Camec cannot establish any fault in the Product after testing;
- f) The Product has been used other than for the purpose for which it was designed;
- g) The Product has been subject to abnormal conditions, including but not limited to temperature, pressure, stress, load or similar;
- h) The Purchaser or installer has used or fitted non-genuine or non-approved parts and accessories to the Product or has failed to use recommended parts and accessories;
- i) The Product's defect has arisen due to abuse, misuse, neglect or accident; or
- j) The Product has not been installed in accordance with the relevant instructions.

3.2 The Warranty will not extend to:

- a) fair wear and tear of the Product; or
- b) expendable parts.

4.0 Limitations

4.1 Camec makes no express warranties or representations other than those set out in this Warranty.

4.2 If a Product was received damaged, it must be returned to Camec within 7 days for warranty purposes.

4.3 Camec is not responsible for the installation of the Product. Any fault or defect due to installation should be referred to the installer. The Product must be installed in accordance with the Manufacturer's instructions and any relevant legislation or code.

4.4 The repair or replacement of the Product or part of the Product or the cost of re-supplying the services or repairing or replacing the Product is the absolute limit of Camec's liability under this express warranty.

WARRANTY

5.0 Warranty Claims

- 5.1 If a fault covered by the Warranty occurs, the Purchaser must first contact Camec.
- 5.2 Contact with Camec may be made in any of the following ways:
 - a) Phone 1300 654 936 (Aus); email: service@camec.com.au
 - b) Phone 09 225 1910 (NZ); email: service@camec.co.nz
- 5.3 Any Warranty claim from the Purchaser must be accompanied by:
 - a) Proof of purchase;
 - b) Installation details (if applicable);
 - c) Return of Product (unless otherwise advised);
 - d) Full details of the alleged defect; and
 - e) If applicable, evidence of maintenance performed in accordance with the relevant maintenance schedules.
- 5.4 The cost of delivery and insurance of the Product to and from Camec and the cost of testing the Product are the responsibility of the Purchaser.
- 5.5 Where it is deemed that the Product does not have a fault, the Purchaser will be charged a testing fee of \$55.00 (GST exclusive), this is subject to change without notice.

6.0 Returns

- 6.1 Subject to clause 6.2, Camec may, at its absolute discretion, accept returns of non-defective Products purchased within 30 days of invoice date. If accepted by Camec, returns for Products will incur a re-stocking fee of 25% of the invoiced price, payable on return of the Products.
- 6.2 If the Purchaser is a consumer under the ACL, nothing in clause 6.1 limits any remedy available for a failure of the guarantees in sections 56 and 57 of the ACL.

V1.1

© 2014 Camec Pty. Ltd. As Camec continually strives to improve our products, specifications and design are subject to change without notice. Please dispose of thoughtfully, recognizing local regulations.

MADE IN CHINA