

WAECO

mobile solutions



WAECO CoolFun CD-30

D 3 Schubfach-Kühlbox
Bedienungsanleitung

GB 14 Drawer Fridge
Instruction Manual

F 25 Glacière à tiroir
Notice d'emploi

E 36 Cajón nevera
Instrucciones de uso

I 47 Frigorifero a cassetto
Istruzioni per l'uso

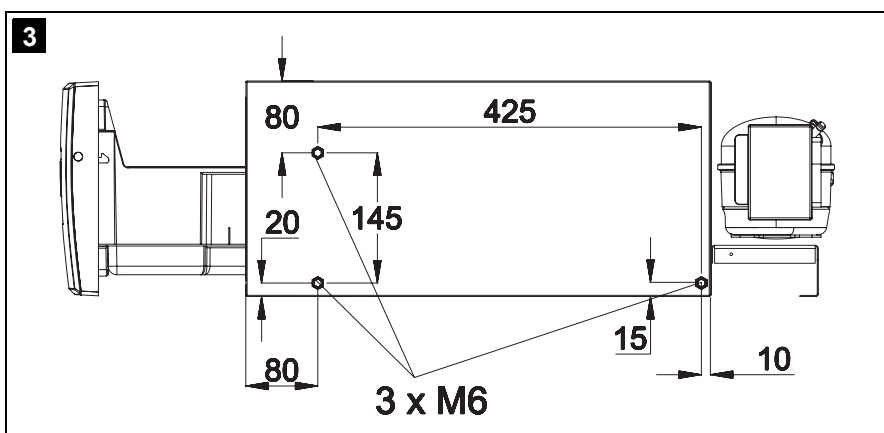
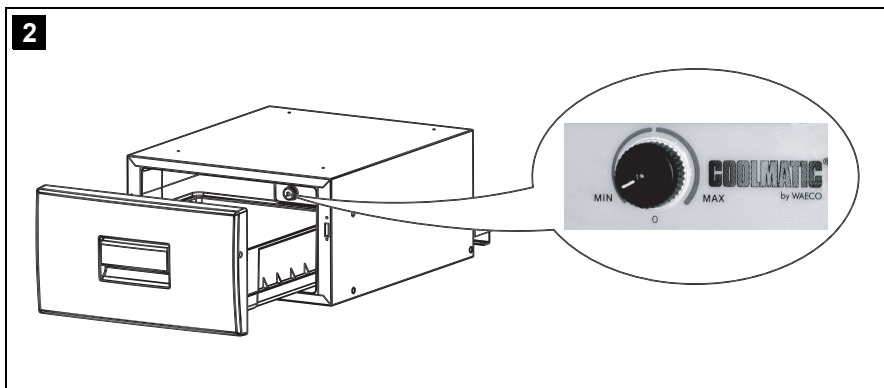
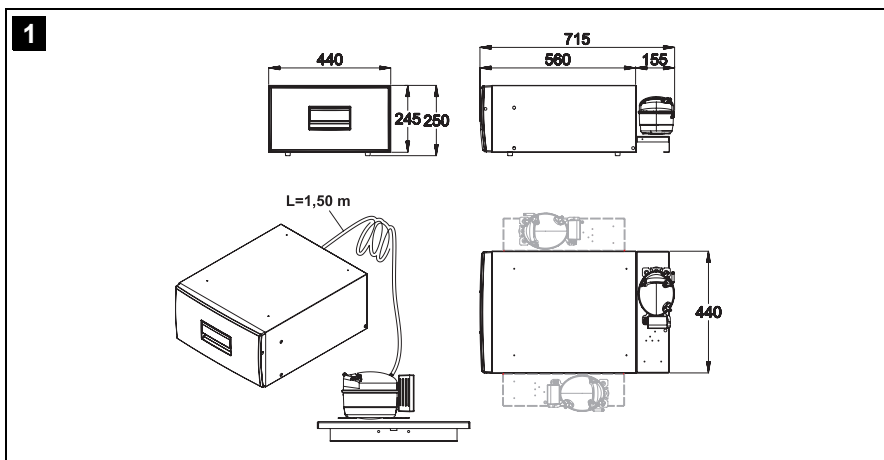
NL 58 Ladekoelbox
Gebruiksaanwijzingen

DK 69 Skuffe-køleboks
Betjeningsanvisning

N 80 Kylbox med utdragslåda
Bruksanvisning

S 91 Kjøleboks med skuffer
Bruksanvisning

FIN 102 Lokerokylmälaatikko
Käyttöohjeet



Please read this manual carefully before starting the machine. Keep it in a safe place for future reference. If the device is resold, this manual must be handed over to the purchaser along with the device.

Contents

1	Notes on using the instruction manual	15
2	Safety instructions	15
3	Scope of delivery	17
4	Proper use	17
5	Technical description	17
6	Installation	18
7	Operation	19
8	Cleaning and care	20
9	Defrosting	21
10	Disposal	21
11	Troubleshooting checklist	22
12	Technical data	24

1 Notes on using the instruction manual

The following symbols are used in this instruction manual:

**Caution!**

Safety instruction, failure to observe this instruction can cause injury or damage the device.

**Caution!**

Safety instruction, relating to a danger from electrical current or voltage. Failure to observe this instruction can damage the device and impair its function and cause injury.

**Note**

Supplementary information for operating the device.

➤ **Action:** this symbol indicates that you need to do something.
The required action is described step-by-step.

✓ This symbol indicates the result of an action.

Please observe the following safety instructions.

2 Safety instructions

2.1 General safety

- Only connect the device to the 12 or 24 Volt DC power supply in your vehicle.
- If the cable is damaged, it must be replaced to prevent possible electrical hazards.
- Do not operate the device if it is visibly damaged.
- Disconnect the cooling device and other power consuming devices from the battery before connecting the quick charging device.
- This device may only be repaired by specialist personnel. Inadequate repairs can lead to considerable hazards.
Should your device need to be repaired, please contact WAECO Customer Services.

- Ensure that the condenser is sufficiently ventilated.
- On boats: If the device is powered by the mains, ensure that the power supply has a ground fault interrupter circuit. **Mortal danger!**
- Check that the voltage specification on the type plate corresponds to that of the energy supply.
- The cooling device is not suitable for transporting caustic materials or materials containing solvents.
- Do not open the refrigerant circuit under any circumstances.
- Defrost the device before its function is impaired by ice build-up.
- Food may only be stored in its original packaging or in suitable containers.

**Electrical devices are no toys!**

Please keep and use the device out of the reach of children.

2.2 Operating the device safely

- Before starting the device ensure that the power supply line and the plug are dry.
- Do not place the device near flames or other heat sources (heating, direct sunlight, gas ovens etc.).
- Do not immerse the device in water.
- Protect the device and the cable against heat and moisture.
- WAECO cannot be held liable for damage resulting from **improper usage** or **incorrect operation**.
- For HGV operation:
Empty the coolbox and switch the device off (see “Switching off the coolbox” chapter on page 20), before the driver's cabin is tipped up.

3 Scope of delivery

Quantity	Description
1	Drawer coolbox
1	Operating instructions

4 Proper use

The drawer coolbox is suitable for use in HGVs, boats or caravans and has been designed for a maximum permanent inclination of 30°.

The cooling device can be used at ambient temperatures of between -20 °C and 55 °C and a maximum air humidity of 90% in constant operation.

The device is suitable for cooling foodstuffs.

If you wish to cool medicines, please check if the cooling capacity of the device is suitable for the medicine in question.

All materials used in the cooling device are compatible for use with foodstuffs. The refrigerant circuit is free of CFCs.



Before exposing the cooling device to extreme conditions, please contact the manufacturer.

5 Technical description

The cooling device can cool goods or keep goods cool in a temperature range from -2 °C to +12 °C.

The coolbox is equipped with a battery monitor which switches the compressor off and on again and thereby protects both the battery and compressor against damage. The switch-off and switch-on points measured at the connection terminals of the compressor are listed in the "Technical data" chapter on page 24.

6 Installation



Ensure that the positive cable is connected to the positive terminal and the negative cable to the negative terminal.

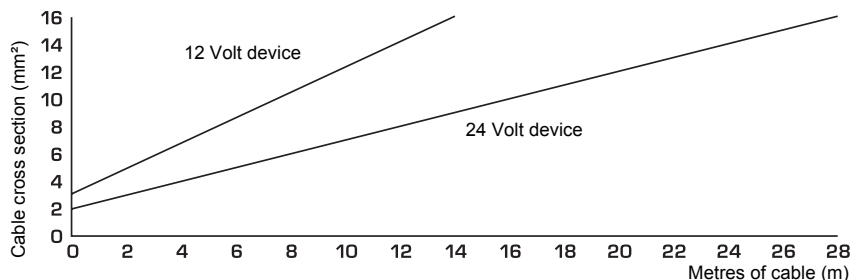


To avoid voltage loss and therefore a drop in performance, the cable route should be kept as short as possible and should not be interrupted if this is possible. For this reason avoid additional switches, plug or power strips.



When choosing the installation location, ensure that the air heated by the liquefier can be drawn off.

- Determine the necessary cable cross section of the intake line using the diagram below:



- Connect your cooling device as directly as possible to the battery terminal or to an outlet with a fuse of at least 15 A (12 V) or 7.5 A (24 V).



To screw the device in place use the screwing holes provided on the side of the device (see fig. 3, page 2).

7 Operation



Before starting your new cooling device for the first time, you should clean it inside and outside with a damp cloth for hygienic reasons (please also refer to the “Cleaning and care” chapter on page 20).

7.1 Energy saving tips

- Choose a well ventilated installation location which is protected against direct sunlight.
- Allow food to cool down first before placing it in the device.
- Defrost your cooling device as soon as a layer of ice forms.
- Avoid unnecessarily low temperatures.
- Do not open the cooling device more often than necessary.
- Do not leave the device open longer than necessary.
- Clean the condenser of dirt (dust etc.) at regular intervals.

7.2 Switching on the coolbox

- Open the coolbox drawer.
- To switch on the coolbox, turn the thermostat knob clockwise (see fig. 2 A, page 2).
- ✓ The coolbox starts cooling the interior.



Ensure that the objects placed in the coolbox are suitable for cooling/warming to the selected temperature.

7.3 Selecting the temperature

The switch on the thermostat (see fig. 2, page 2) displays the selected temperature.

Switch position	Temperature range (independent of ambient temperature)
MAX	approx. -2 °C in interior
MIN	approx. +12 °C in interior

- ▶ If you wish to set the temperature to **cooling**, turn the thermostat knob (see fig. 2, page 2), to the desired temperature range.
- ▶ If you wish to stop using the coolbox, disconnect the connecting cable from the battery.

7.4 Switching off the coolbox

- ▶ Open the coolbox drawer.
 - ▶ To switch off the coolbox, turn the thermostat knob (see fig. 2 A, page 2) to the "0" position.
- ✓ The coolbox is switched off.

8 Cleaning and care



If you wish to leave the cooling device switched off for a longer period, clean it and leave the drawer slightly open. This will prevent unpleasant odours from forming.



Caution!

Switch the coolbox off before cleaning it (see "Switching off the coolbox" chapter on page 20).



Caution!

Do not clean the coolbox under flowing water or in dish water.



Caution!

Do not use abrasive cleaning agents or hard or sharp objects during cleaning as these can damage the coolbox.

- ▶ Clean the interior of the coolbox with a damp cloth from time to time.
- ▶ Clean the exterior of the device with a damp cloth.
- ▶ Clean the condenser of dirt (dust etc.) at regular intervals.

9 Defrosting

Humidity can form frost in the interior of the cooling device. This reduces the cooling capacity. Defrost the device in good time to avoid this.



Caution!

Do not remove the layer of ice with hard or sharp tools. These can damage the plastic of the vaporiser.

- ▶ Take the food or other objects out of the device and place it in another cooling device to keep it cool, if necessary.
- ▶ Switch the cooling device off (see “Switching off the coolbox” chapter on page 20) and leave the drawer open.
- ▶ Wipe off the water resulting from defrosting or – if present – empty the collecting tray.

10 Disposal

- ▶ Place the packaging material in the appropriate recycling waste bins wherever possible.



If you wish to finally dispose of the device, ask your local recycling centre or specialist dealer for details about how to do this in accordance with the applicable disposal regulations.

11 Troubleshooting checklist



Caution!

This device may only be repaired by specialist personnel.
Inadequate repairs can lead to considerable hazards.

Compressor does not run

Feature	Possible cause
$U_{KL}=0$ Volt	Connection supply line interrupted
	Battery/main electronic switch defective (if installed)
	Additional supply line fuse has blown (if installed)
$U_{KL} \leq U_{ON}$	Battery voltage is too low
During attempted start up $U_{KL} \leq U_{OFF}$	Loose cable connection/poor contact (corrosion)
	Cable cross section too small
	Battery capacity too low
During attempted start up $U_{KL} \geq U_{ON}$	Ambient temperature too high
	Insufficient ventilation
	Condensor is dirty
	Fan defective (if installed)
Electric circuit between the pins in the compressor interrupted	Defective compressor

Key

U_{KL} : Voltage between the positive and negative electronic terminals

U_{ON} : Switch on voltage of the electronic connection terminals
(see "Technical description" chapter on page 17)

U_{OFF} : Switch off voltage of the electronic connection terminals
(see "Technical description" chapter on page 17)

Interior temperature too low in the "MIN" thermostat setting

Feature	Possible cause	Remedy
Compressor runs continuously	Thermostat sensor has no contact to the vaporiser	Secure the sensor
	Short circuit in the thermostat line	Change the thermostat
	Thermostat defective	
Compressor runs for a long time	Large quantities have been frozen in the vaporiser compartment	

Cooling capacity drops, interior temperature rises

Feature	Possible cause	Remedy
Compressor runs for a long time/continuously	Vaporiser iced over	Defrost the vaporiser
	Cooling area insulation is insufficient (moist/wet)	Adjust/replace the drawer seal
	Ambient temperature too high	
	Insufficient ventilation	Ensure that the device is sufficiently ventilated
	Condenser is dirty	Clean the condenser
	Fan defective (if installed)	Replace the fan
Compressor does not run often	Battery capacity exhausted	Charge the battery




Noises

Feature	Possible cause	Remedy
Loud humming	A component of the refrigerant circuit cannot move freely, the component is lying against the wall or against a foreign body or is jammed between the cooling device and the wall	Move the component carefully so that it can move freely
	Fan noise (if installed)	

radio or television interference in the vehicle

Feature	Possible cause	Remedy
Reception interference when the compressor is running	The electronic connection of the cooling device is not directly clamped on to the battery	Connect the cooling device as directly as possible to the battery

12 Technical data

Capacity:	30 l
Switch off voltage:	10.4 V at 12 V power supply 22.8 V at 24 V power supply
Switch on voltage:	11.7 V at 12 V power supply 24.2 V at 24 V power supply
Connection voltage	12 or 24 V DC
Medium power consumption:	40 Watts
Temperature range:	approx. -2 °C to +12 °C
Compressor running time:	20 % at 20 °C ambient temperature 40 % at 32 °C ambient temperature (at 5 °C device interior temperature)
Weight:	approx. 18 kg
Testing/certification:	  

This device is CFC-free.