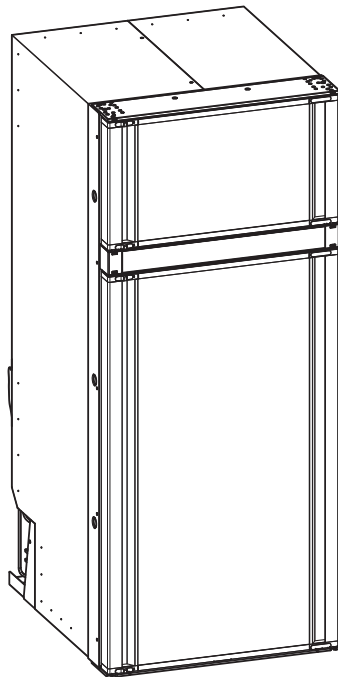


# ↗ DOMETIC REFRIGERATION 10-SERIES



**RCD10.5XES**

EN

**Compressor refrigerator**  
Installation and Operating Manual

© 2022 Dometic Group. The visual appearance of the contents of this manual is protected by copyright and design law. The underlying technical design and the products contained herein may be protected by design, patent or be patent pending. The trademarks mentioned in this manual belong to Dometic Sweden AB. All rights are reserved.

More information <https://www.caravansplus.com.au>

Please read these instructions carefully and follow all instructions, guidelines, and warnings included in this product manual in order to ensure that you install, use, and maintain the product properly at all times. These instructions **MUST** stay with this product.

By using the product, you hereby confirm that you have read all instructions, guidelines, and warnings carefully and that you understand and agree to abide by the terms and conditions as set forth herein. You agree to use this product only for the intended purpose and application and in accordance with the instructions, guidelines, and warnings as set forth in this product manual as well as in accordance with all applicable laws and regulations. A failure to read and follow the instructions and warnings set forth herein may result in an injury to yourself and others, damage to your product or damage to other property in the vicinity. This product manual, including the instructions, guidelines, and warnings, and related documentation, may be subject to changes and updates. For up-to-date product information, please visit [documents.dometic.com](https://documents.dometic.com).

## Contents

1	Explanation of symbols	3
2	Safety instructions	4
3	Scope of delivery	8
4	Accessories	8
5	Target groups	8
6	Intended use	8
7	Technical description	9
8	Installation	11
9	Connecting the refrigerator	20
10	Operation	23
11	Cleaning and maintenance	34
12	Troubleshooting	35
13	Warranty	35
14	Disposal	36
15	Technical data	36

## 1 Explanation of symbols



### **DANGER!**

**Safety instruction:** Indicates a hazardous situation that, if not avoided, will result in death or serious injury.



### **WARNING!**

**Safety instruction:** Indicates a hazardous situation that, if not avoided, could result in death or serious injury.



### **CAUTION!**

**Safety instruction:** Indicates a hazardous situation that, if not avoided, could result in minor or moderate injury.

**NOTICE!**

Indicates a situation that, if not avoided, can result in property damage.

**NOTE**

Supplementary information for operating the product.

## 2 Safety instructions

### 2.1 General safety



**WARNING! Failure to obey these warnings could result in death or serious injury.**

**Electrocution hazard**

- Installation and removal of the refrigerator may only be carried out by qualified personnel.
- Do not operate the refrigerator if it is visibly damaged.
- This refrigerator may only be repaired by qualified personnel. Improper repairs can result in considerable danger or damage to the refrigerator.
- If the power cable for this refrigerator is damaged, it must be replaced by the manufacturer, customer service or a similarly qualified person in order to prevent safety hazards.
- When positioning the refrigerator, ensure the supply cord is not trapped or damaged.
- Do not locate multiple portable socket-outlets or portable power supplies at the rear of the refrigerator.
- Plug the device to sockets that ensure proper connection especially when the device needs to be earthed.

**Fire hazard**

For refrigerators with R600a refrigerant:

- The refrigeration circuit contains a small quantity of an environmentally friendly but flammable refrigerant. It does not damage the ozone layer and does not increase the greenhouse effect. Any leaking refrigerant may ignite.
- Do not use or store the refrigerator in confined spaces with none or minimal air flow.
- Keep the installation recess for the refrigerator free of any electrical components and luminaires which during normal or abnormal operation produce sparks or arcs (i.e. relays or fuse boxes).

**Explosion hazard**

- Do not store any explosive substances, such as spray cans with propellants, in the refrigerator.

**Health hazard**

- This refrigerator can be used by children aged from 8 years and above and persons with reduced physical, sensory or mental capabilities or lack of experience and knowledge if they have been given supervision or instruction concerning use of the refrigerator in a safe way and understand the hazards involved.
- Children aged from 3 to 8 years are allowed to load and unload the refrigerator.
- Cleaning and user maintenance may not be carried out by unsupervised children.
- Children must be supervised to ensure that they do not play with the refrigerator.

**Risk of child entrapment**

- Make sure that the shelves are mounted and secured so that children cannot lock themselves in the refrigerator.
- Before disposing of your old refrigerator:
  - Dismantle the drawers.
  - Leave the shelves in the refrigerator so that children cannot climb inside.

**CAUTION! Failure to obey these cautions could result in minor or moderate injury.****Health hazard**

- To avoid a hazard due to instability of the refrigerator, it must be fixed in accordance with the installation instructions.
- Do not use mechanical devices or other means to accelerate the defrosting process, other than those recommended by the manufacturer.
- Do not open or damage the refrigerant circuit under any circumstances.
- Do not use electrical devices inside the refrigerator unless they are recommended by the manufacturer for that purpose.

**Risk of injury**

- DO NOT USE OR STORE FLAMMABLE MATERIALS IN THIS REFRIGERATOR.
- DO NOT PLACE ARTICLES ON OR AGAINST THIS REFRIGERATOR.
- DO NOT MODIFY THIS REFRIGERATOR.

**NOTICE! Damage hazard**

- Check that the voltage specification on the data plate is the same as that of the power supply.
- Do not place the refrigerator near heat sources (heaters, direct sunlight, gas ovens, etc.).
- Keep the condensate drain clean at all times.
- Do not use a high-pressure cleaner near the ventilation grille when cleaning the vehicle.
- Attach the winter covers to the ventilation grille when the vehicle is cleaned from the outside or not used for a prolonged period of time.
- The refrigerator may not be exposed to rain.

## 2.2 Safety when installing



**WARNING! Failure to obey these warnings could result in death or serious injury.**

### Fire hazard

- Ensure clean and residue-free handling if silicon sealant or similar is used. There is a risk of fire if silicone filaments come into contact with hot parts or naked flames.
- Do not install the refrigerator near naked flames or other heat sources (heaters, direct sunlight, gas ovens etc.).
- Do not open the refrigerant circuit under any circumstances.



**CAUTION! Failure to obey these warnings could result in death or serious injury.**

### Risk of injury

- Do not put your fingers into the hinge.



### NOTICE! Damage hazard

#### • Risk of overheating!

Always ensure sufficient ventilation so that the heat generated during operation can dissipate. Make sure that the device is sufficiently far away from walls and other objects so that the air can circulate.

## 2.3 Safety when operating



**DANGER! Failure to obey these warnings will result in death or serious injury.**

### Electrocution hazard

- Do not touch exposed cables with your bare hands.
- Before starting the refrigerator, ensure that the power supply line and the plug are dry.



**CAUTION! Failure to obey these cautions could result in minor or moderate injury.**

### Health hazard

- Ensure that you only put items in the refrigerator which may be chilled at the selected temperature.
- Food may only be stored in its original packaging or in suitable containers.
- Opening the door for long periods can cause significant increase of the temperature in the compartments of the refrigerator.
- Clean regularly surfaces that can come in contact with food and accessible drainage systems.
- Store raw meat and fish in suitable containers in the refrigerator, so that it is not in contact with and cannot drip onto other food.

- If the refrigerator is left empty for long periods:
  - Switch off the refrigerator.
  - Defrost the refrigerator.
  - Clean and dry the refrigerator.
  - Leave the door open to prevent mold developing within the refrigerator.

### **Risk of injury**

- Do not put your fingers into the hinge.
- Close and lock the refrigerator door before beginning a journey.
- The cooling system at the back of the refrigerator becomes very hot during operation. Protect yourself from coming into contact with hot parts when removing ventilation grilles.



### **NOTICE! Damage hazard**

- Do not lean on the open refrigerator door.
- Only store heavy objects such as bottles or cans in the refrigerator door, in the vegetable compartment or on the bottom shelf.
- If the refrigerator has a double-sided door and the door is not locked correctly on the opposite side, push on that side at the top and the bottom until it locks in place.
- Ensure that the ventilation openings are not covered.
- **Danger of overheating!**  
Always ensure sufficient ventilation so that the heat generated during operation can dissipate. Ensure that the refrigerator is sufficiently far away from walls and other objects so that the air can circulate.
- Do not fill the refrigerator with ice or fluid.
- Protect the refrigerator and the power supply cable against heat and moisture.



### **NOTE**

- If the battery management of your vehicle shuts down the refrigerator to protect the battery, contact your vehicle manufacturer.
- Put the refrigerator door and the freezer door into the winter position if you are not going to use the refrigerator for a longer period of time. This prevents mold from forming.
- For ambient temperatures of +15 °C to +25 °C select the average temperature setting.
- To avoid food waste, note the following:
  - Keep temperature fluctuation as low as possible. Only open the freezer as often and for as long as necessary. Store the foodstuff in such a way that the air can still circulate well.
  - If the temperature can be adjusted: Adjust the temperature to the quantity and type of the foodstuff.
  - Store the different foodstuff types as shown in the figures.
  - Foodstuff can easily absorb or release odor or taste. Always store foodstuff covered or in closed containers/bottles.

## 2.4 Safety when operating with AC power



### NOTICE! Damage hazard

- Check that the voltage specification on the type plate is the same as that of the power supply.
- Only use the cable supplied to connect the refrigerator to the AC mains.
- Never pull the plug out of the socket by the connection cable.

## 3 Scope of delivery

Quantity	Description
1	Refrigerator
1	Drain hose
1	Sealing strip (fitted underneath during installation)
6	Installation bush cap
1	Installation and Operating Manual

## 4 Accessories

Available as accessories (not included in the scope of delivery):

Description
LS 300 ventilation grille (W x H: 490 x 249 mm, open ventilation area 667 cm <sup>2</sup> )
Roof vent kit

Accessories are available from specialist dealers. In case of questions, contact the dealer or your service partner directly.

## 5 Target groups



The electrical power supply must be connected by a qualified electrician who has demonstrated skill and knowledge related to the construction and operation of electrical equipment and installations, and who is familiar with the applicable regulations of the country in which the equipment is to be installed and/or used, and has received safety training to identify and avoid the hazards involved.

All other actions are intended also for non-professional users.

## 6 Intended use

The refrigerator is suitable for refrigerating foodstuffs and storing frozen foodstuffs. The device is suitable for installation into caravans, motor homes or boats. The device is designed to be operated from a 12 V DC or 24 V DC on-board supply as well as from a 100 – 240 V AC mains.



The refrigerator is only suitable for installation in a fitted cavity. Once it is installed, only the front of the refrigerator may be accessible.

This product is only suitable for the intended purpose and application in accordance with these instructions.

This manual provides information that is necessary for proper installation and/or operation of the product. Poor installation and/or improper operating or maintenance will result in unsatisfactory performance and a possible failure.

The manufacturer accepts no liability for any injury or damage to the product resulting from:

- Incorrect assembly or connection, including excess voltage
- Incorrect maintenance or use of spare parts other than original spare parts provided by the manufacturer
- Alterations to the product without express permission from the manufacturer
- Use for purposes other than those described in this manual

Dometic reserves the right to change product appearance and product specifications.

## 7 Technical description

The device can refrigerate goods to +8 °C to 0 °C and keep them cool. Products can be kept frozen in the freezer compartment. The control display can be used to set the desired temperature.

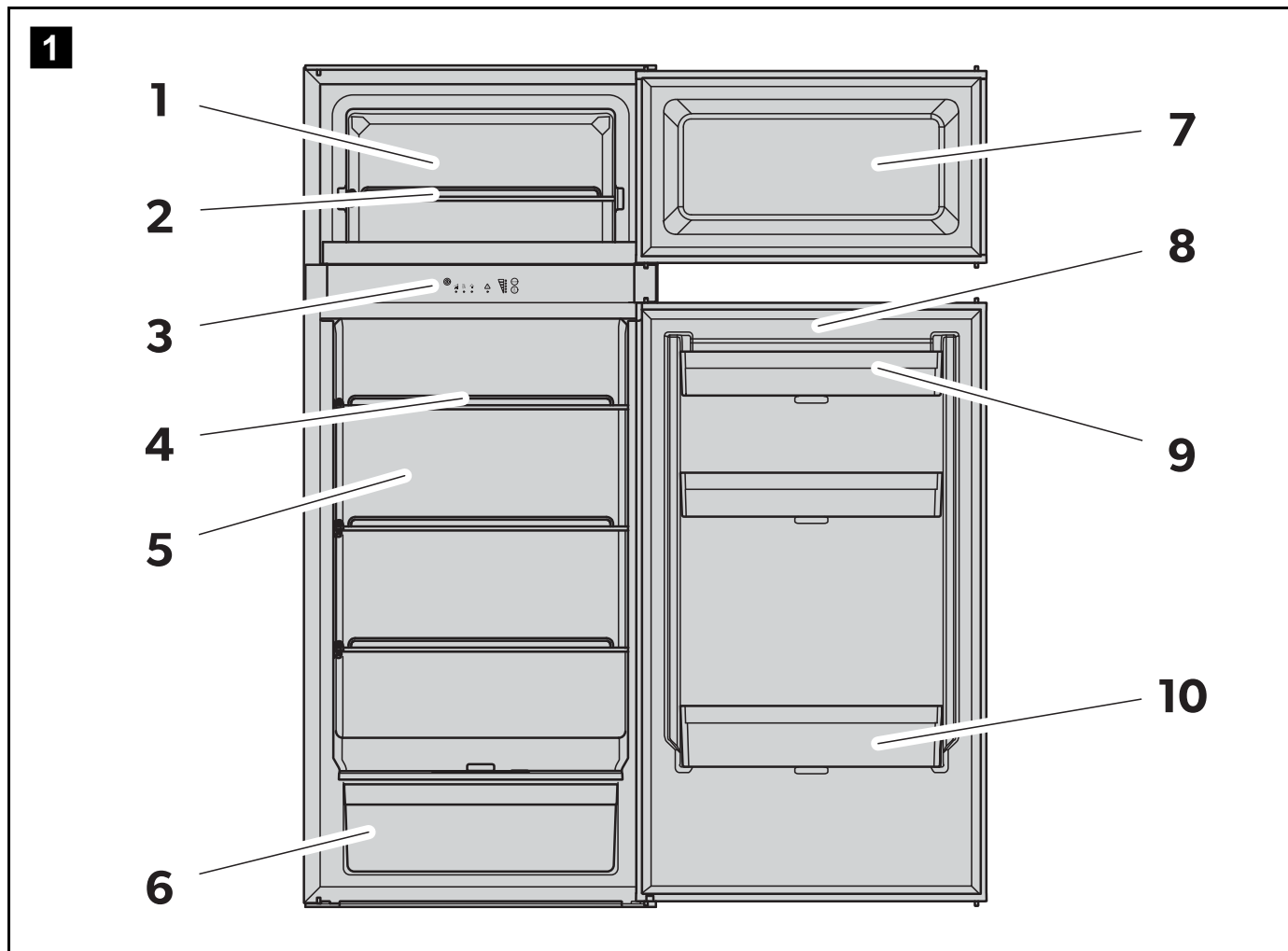
The refrigerator is suitable for use with 12 V or 24 V DC voltage and can therefore be used e.g. for mobile homes, caravans or on boats. It can also be connected to a 100 – 240 V AC mains supply.

When the refrigerator is installed with both DC and AC power connections, the power mode switches automatically to AC mode when AC is available.

The refrigerator can withstand a short term inclination of 30°, for example on boats.

All materials used in the refrigerator are compatible for use with foodstuffs. The refrigerant circuit is hermetically sealed and CFC-free.

**7.1 Components**

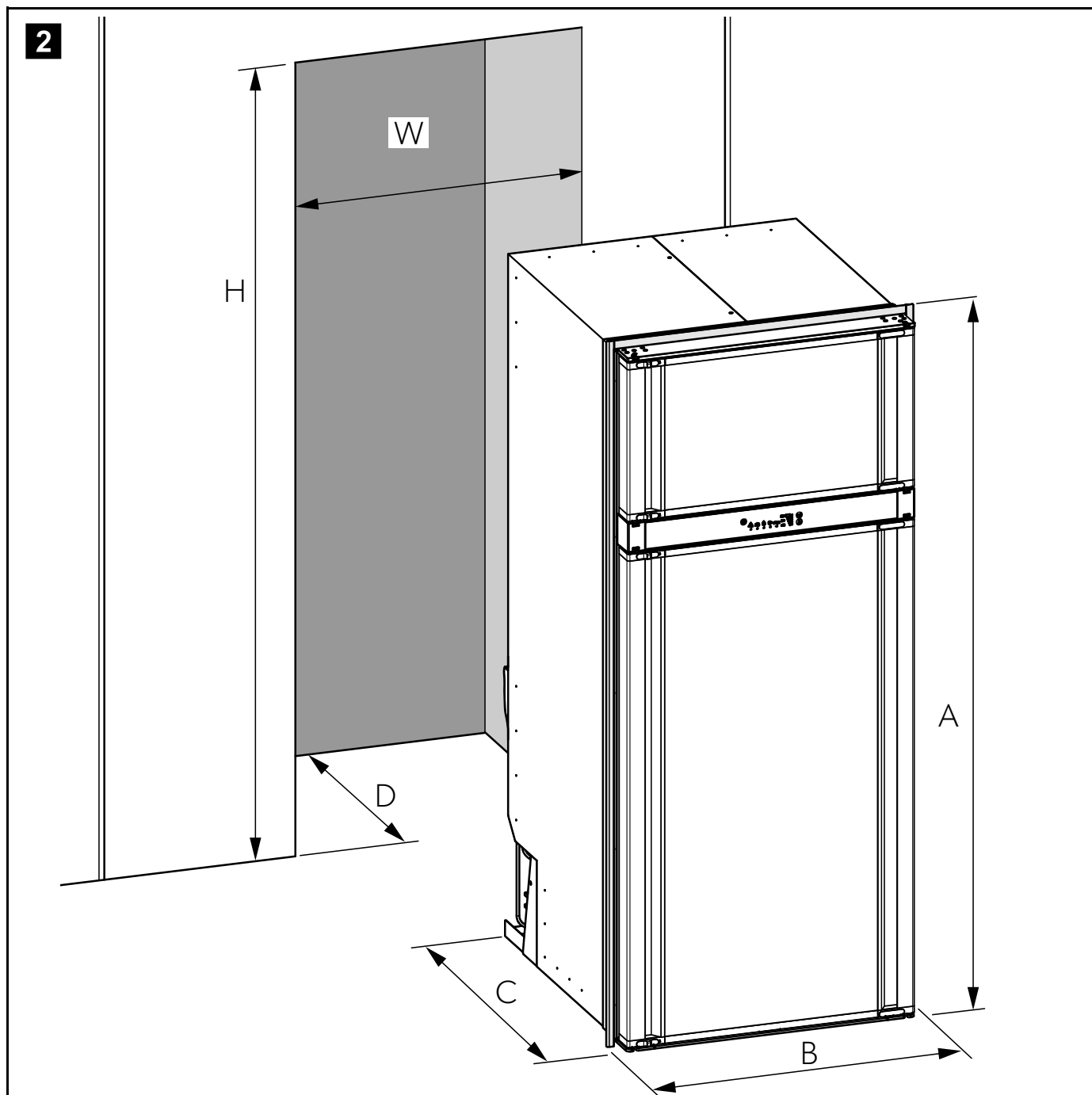


No. in fig. <b>1</b> , page 10	Description	Quantity
1	Freezer compartment	1
2	Freezer compartment shelf	1
3	Control and display elements	1
4	Refrigerator shelf	3
5	Refrigerator compartment	1
6	Fruit and vegetable section	1
7	Freezer compartment door	1
8	Refrigerator door	1
9	Top door bin	2
10	Bottom door bin with bottle holder	1

## 8 Installation

### 8.1 Installation location

1. Ensure that the floor is solid and level.
2. Ensure that the refrigerator is level.
3. Install the refrigerator so that it is easily accessible for service work, easy to de-install and install and can be easily removed from the vehicle.

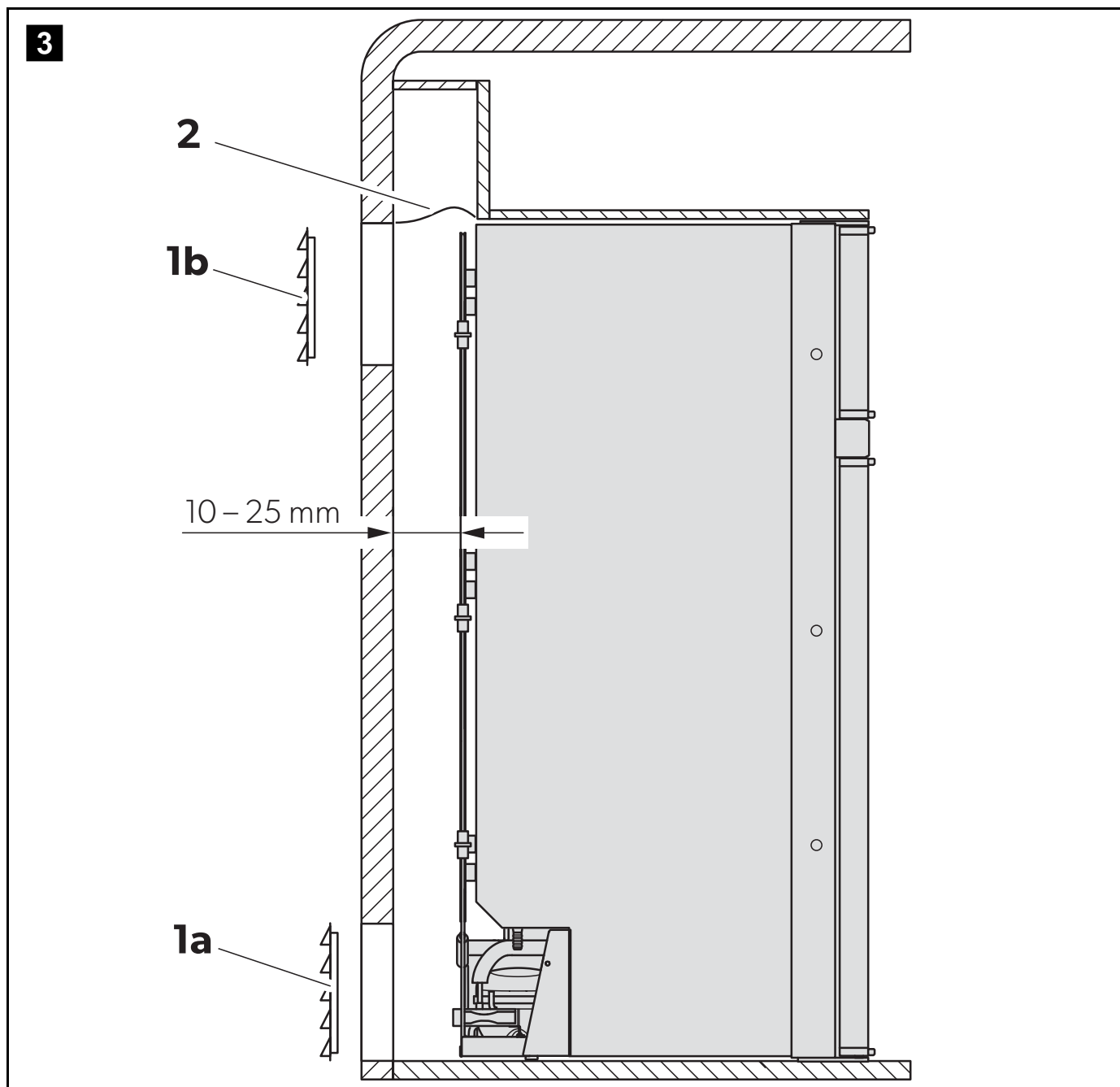


4. Install the refrigerator in a recess so that it stands secure when the vehicle is in motion.
5. Note the following dimensions (fig. **2**):

<b>Recess</b>	<b>Overall dimension in mm</b>
Height <b>(A)</b>	1260
Width <b>(B)</b>	550
Depth <b>(C)</b>	615
<b>Recess</b>	<b>Dimension in mm</b>
Height <b>(H)</b>	1246 – 1251
Width <b>(W)</b>	526 – 531
Depth <b>(D)</b>	571 – 586

## 8.2 Installation with two rear vents

1. Keep the air inlet and outlet vents free from coverage by vehicle parts (such as an open door or by installing accessories such as bicycle racks) while operating.
2. Install the refrigerator so that it is protected from excessive heat, as this leads to poor performance and increases the power consumption of the refrigerator.
3. Perform the electrical installation compliant with national and local regulations.

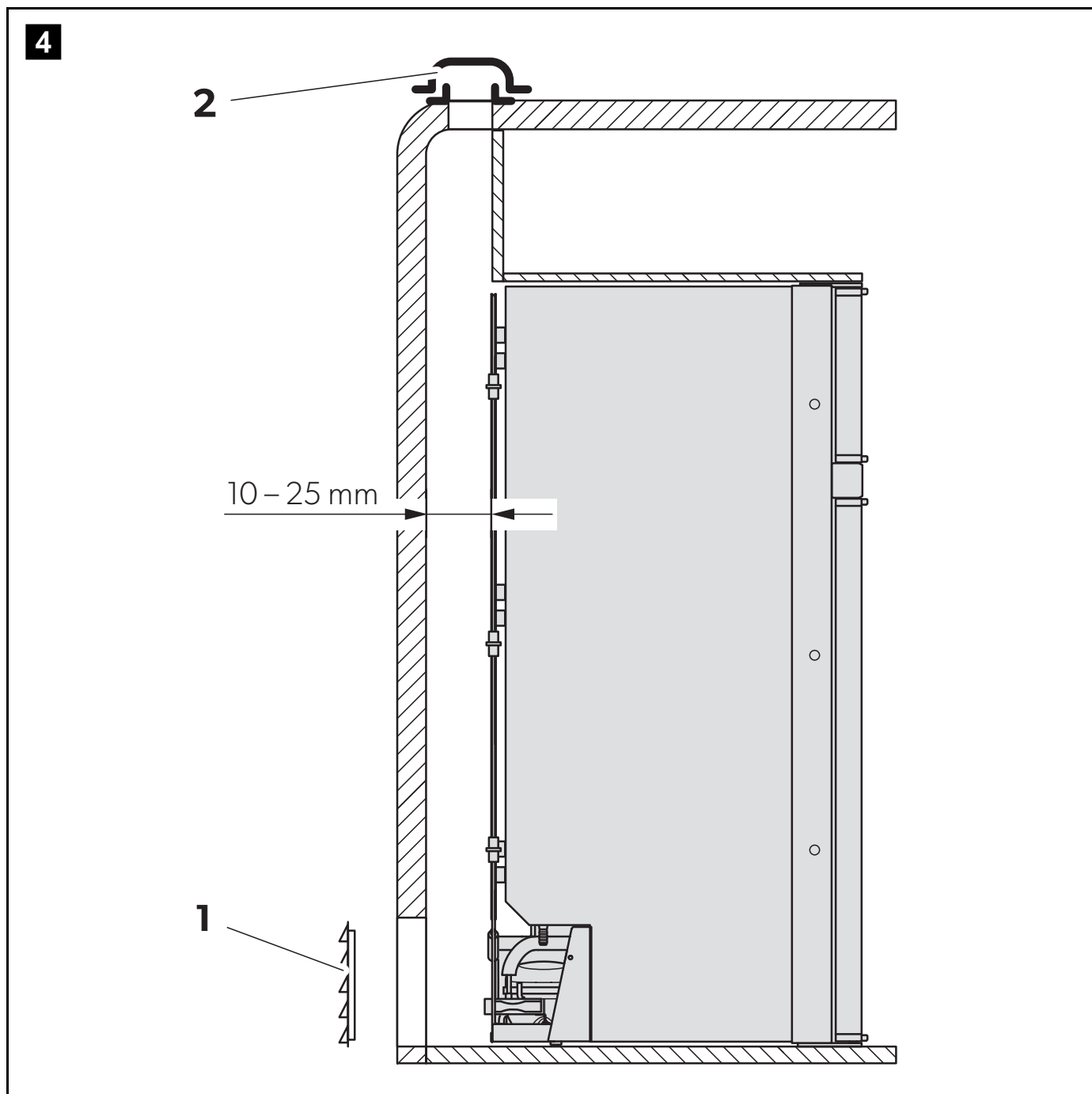


No. in fig. <b>3</b> , page 13	Description
--------------------------------	-------------

1a	LS300 ventilation grille
1b	
2	Air deflection plate

4. Fit the outer wall with one air inlet ventilation grille (fig. **3** 1a, page 13) and one outlet ventilation grille (fig. **3** 1b, page 13) so that the heat generated can be easily released to the outside:
  - Install the lower air inlet vent LS300 flush to the vehicle floor.
  - Install the upper air outlet vent LS300 with the top of the vent no lower than the top of the refrigerator. Higher than the refrigerator is allowed.
5. Fit an air deflection plate (fig. **3** 2, page 13) above the top vent so that the heat does not accumulate above the refrigerator.

### 8.3 Installation with one lower rear vent and one roof vent



No. in fig. <b>4</b> , page 14	Description
1	LS300 ventilation grille
2	Roof vent

1. Install the lower air vent LS300 flush to the vehicle floor.
2. Install a roof vent instead of a rear upper air outlet vent.
  - Install the roof vent (fig. **4** 2) directly above the back of the refrigerator as far as this is possible.
  - If needed use an air duct to install the roof vent offset, otherwise heat will accumulate there.

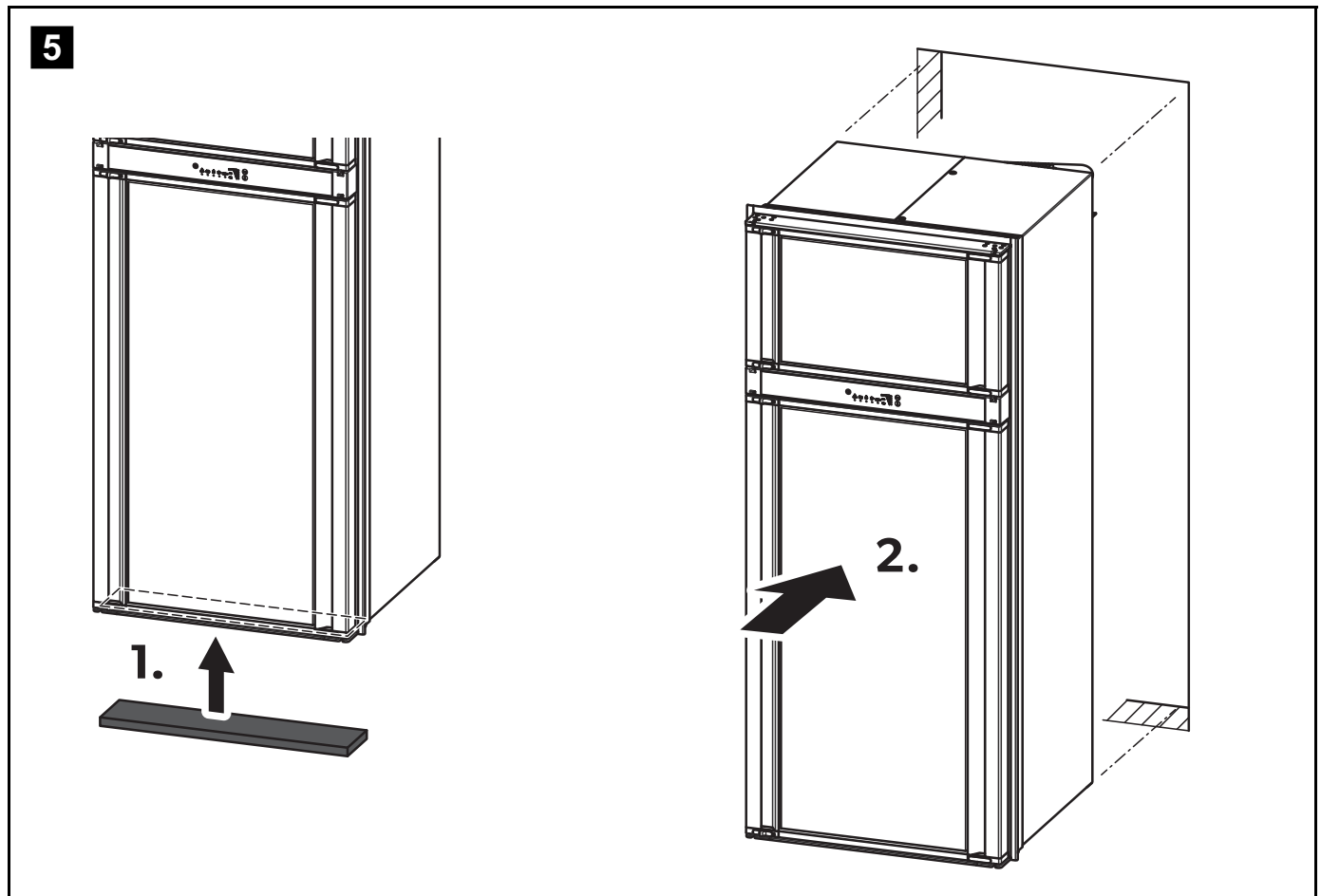
## 8.4 Installation in a sealed location separate to the living space

It is recommended to install the refrigerator in a sealed location in order to prevent dust and heat from entering the living space of the caravan or motor home.



### WARNING! Fire hazard

Do not use flammable materials such as silicone sealants, foam or similar for the draft-proof installation.

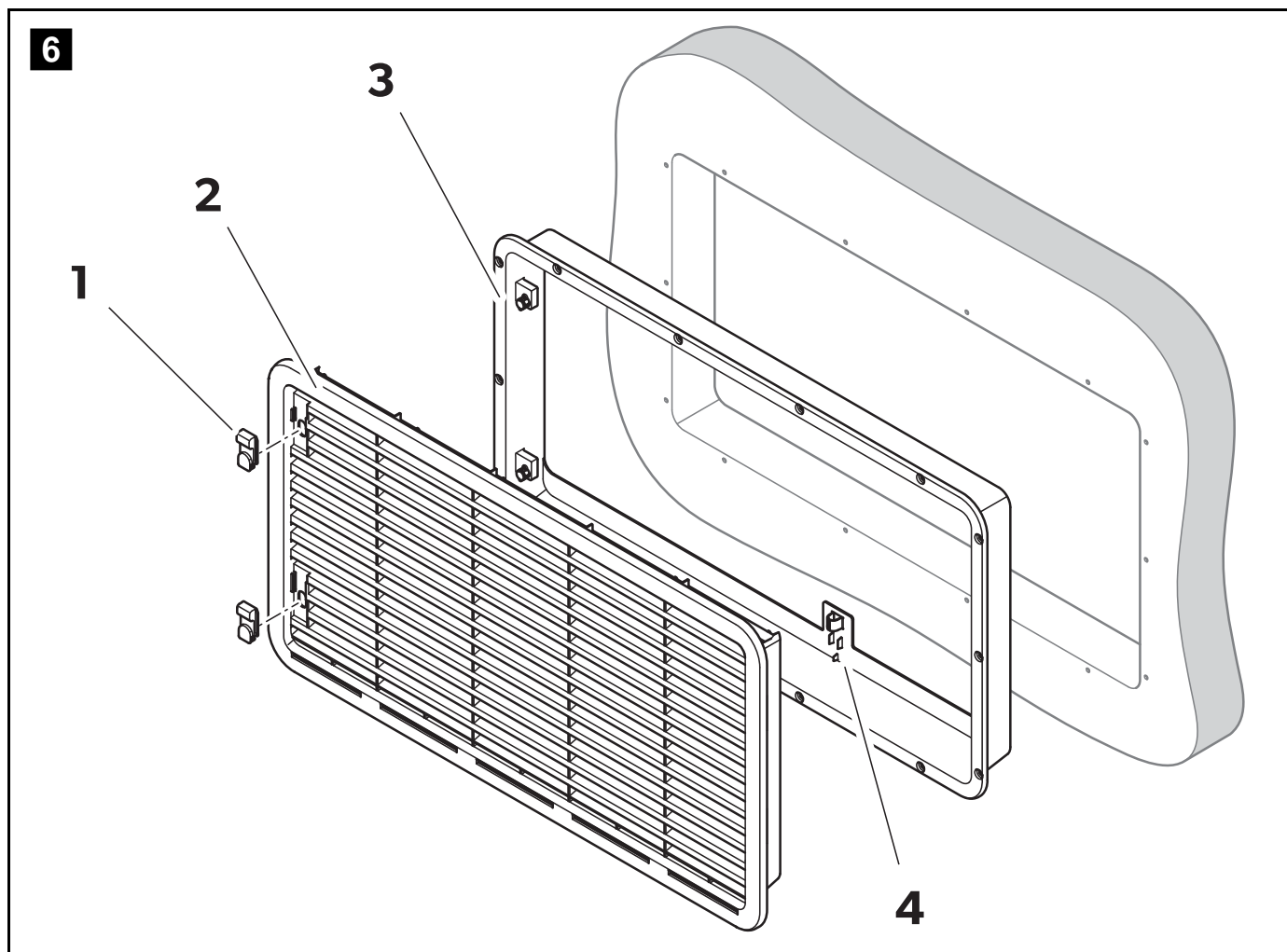


1. Apply the included sealing strip to front of the bottom surface of the refrigerator (**1.** in fig. **5**).
2. Push the refrigerator into position (**2.** in fig. **5**). This then seals the space behind the refrigerator to the interior of the vehicle.

## 8.5 Installing the drain water hose

1. To avoid damage to the drain water hose, position the hole for the drain water hose in a way that the hose does not kink.
2. Drill a hole through the vehicle floor at the rear of the refrigerator.
3. Install the drain water hose through the drilled hole. Ensure that the drain water hose is long enough in order to drain the water outside of the vehicle.  
DO NOT shorten the drain hose. The excess length will enable partial extraction of the refrigerator if required for service access.
4. Ensure that the drain water hose is not kinked.
5. Seal the area around the drain water hose.

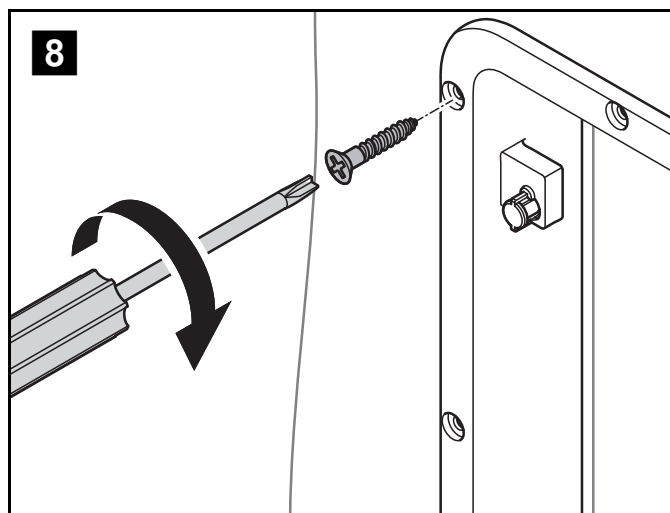
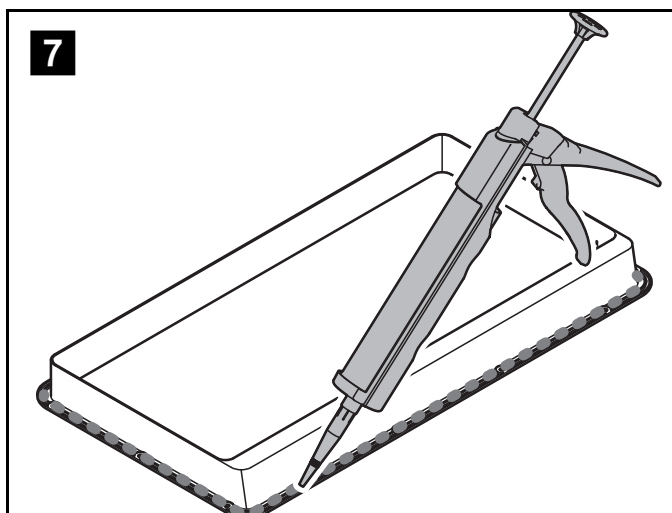
### 8.6 Installing the ventilation grille



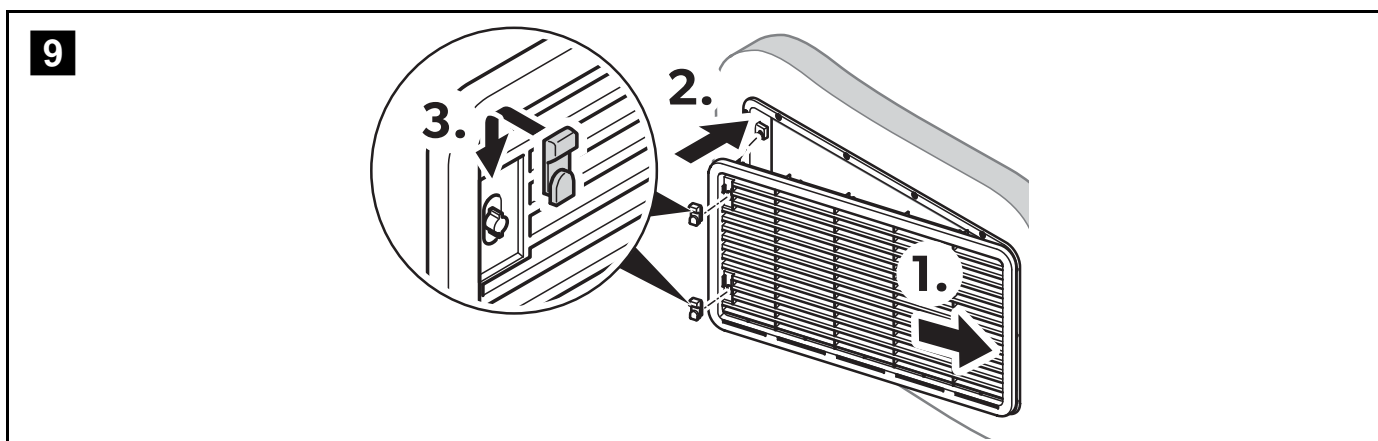
No. in fig. 6, page 16	Description
1	Slider
2	Ventilation grille
3	Installation frame

1. Make a cut out in the wall to fit an appropriate upper and lower vent system, choose LS300 check the dimensions required for the vent. See chapter "Installation location" on page 11.



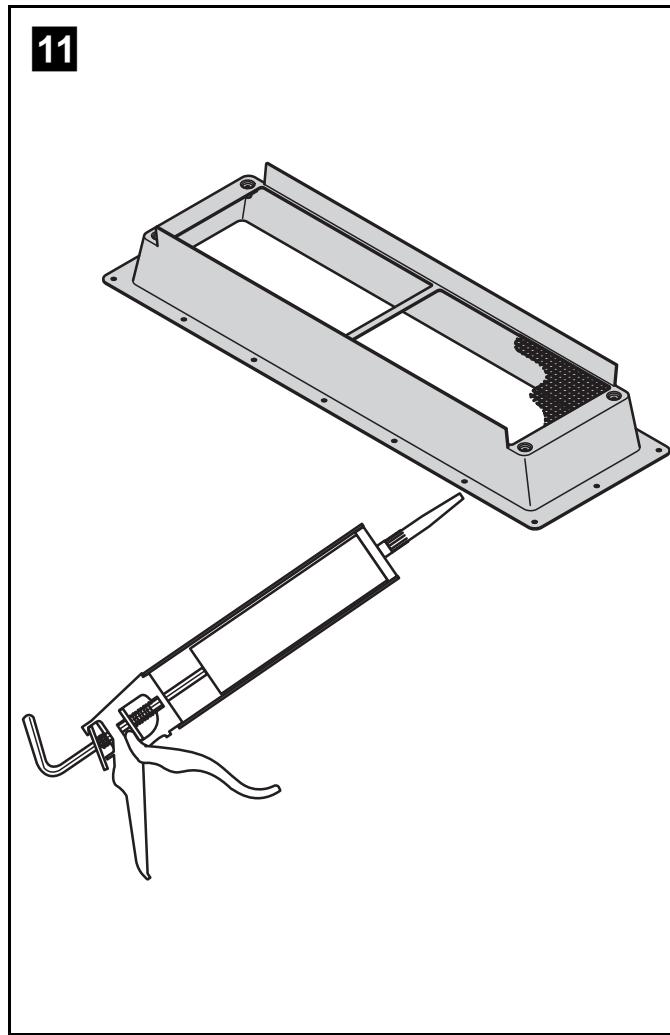
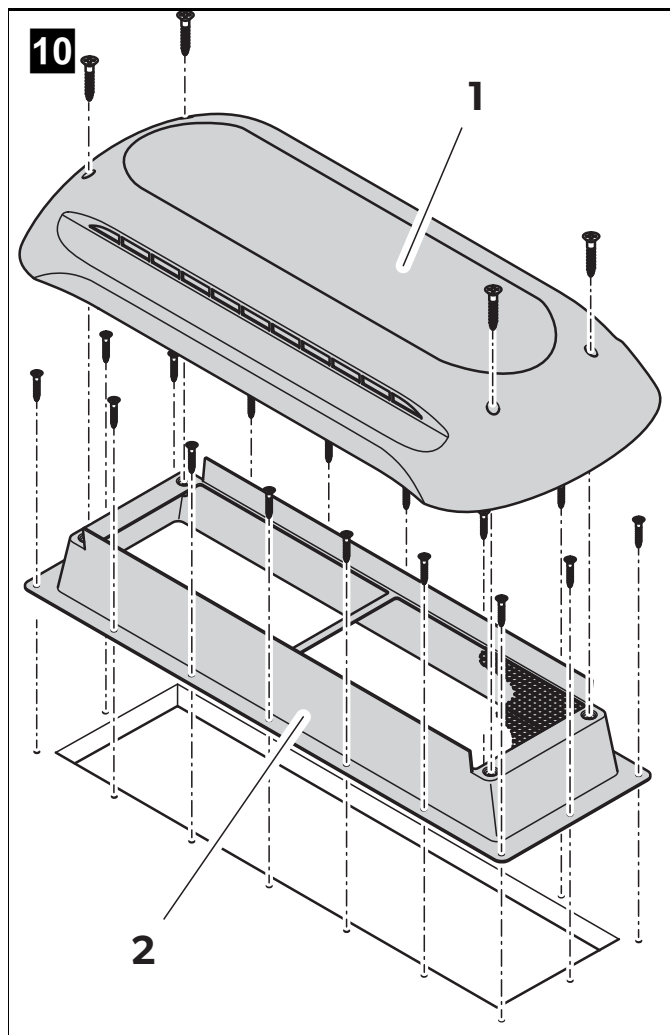


2. Ensure the installation frame is water resistant (fig. **7**).
3. Insert the installation frame and screw it down tightly (fig. **8**). Use all the fixing holes for this.



4. Fit the ventilation grille (**1.** and **2.** in fig. **9**).
5. Insert the slider and lock the ventilation grille with it (**3.** in fig. **9**).

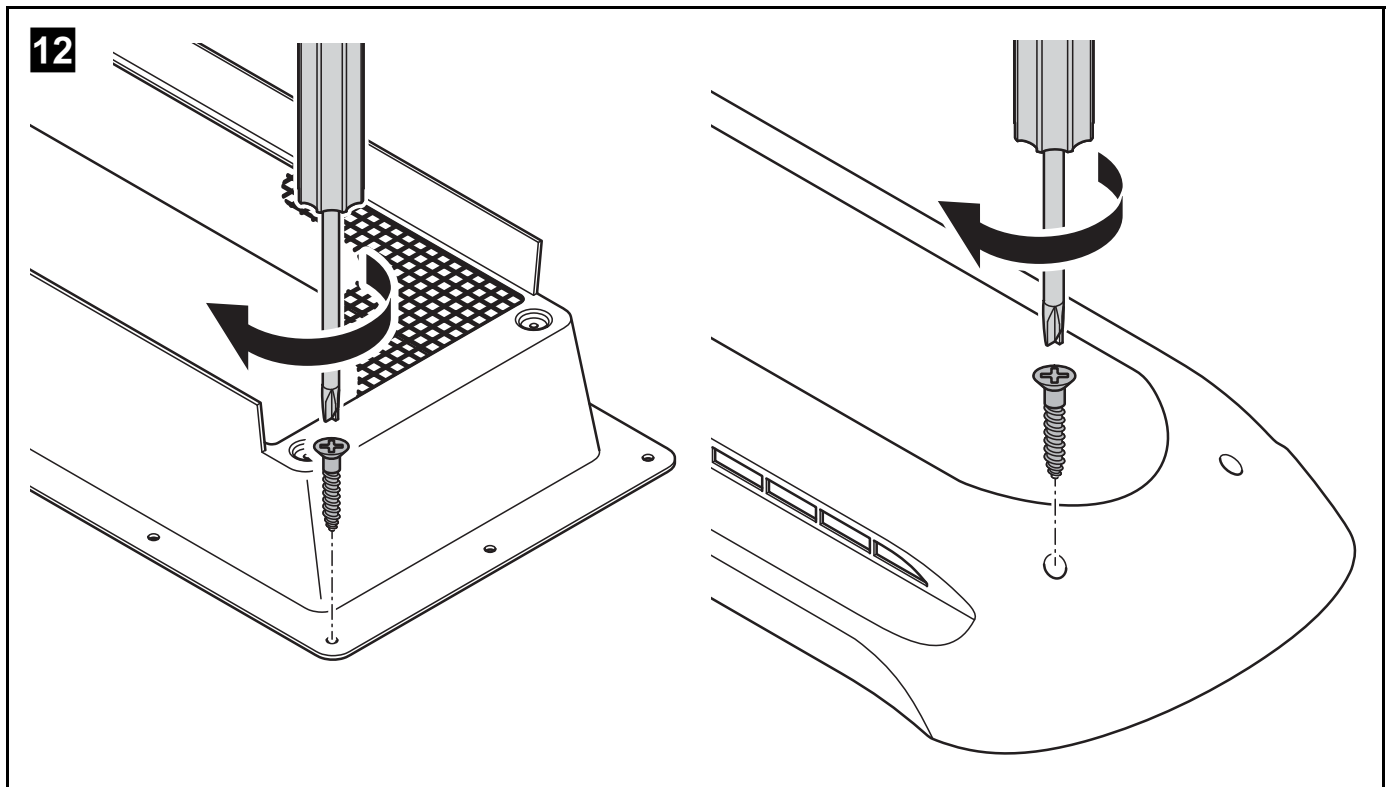
### 8.7 Installing the roof vent



**No. in fig. 10, page 18**    **Description**

1	Hood
2	Installation frame

1. Cut out a section in the roof. Refer to the roof vent instruction manual for the required dimensions. When doing so, observe the information, see chapter "Installation location" on page 11.
2. Ensure the installation frame is water resistant (fig. 11).



3. Insert the installation frame and screw it down tightly (1. in fig. 12). Use all the fixing holes for this.
4. Insert the hood and screw it down tightly (2. in fig. 12).

## 8.8 Securing the refrigerator



### **WARNING! Electrocution hazard**

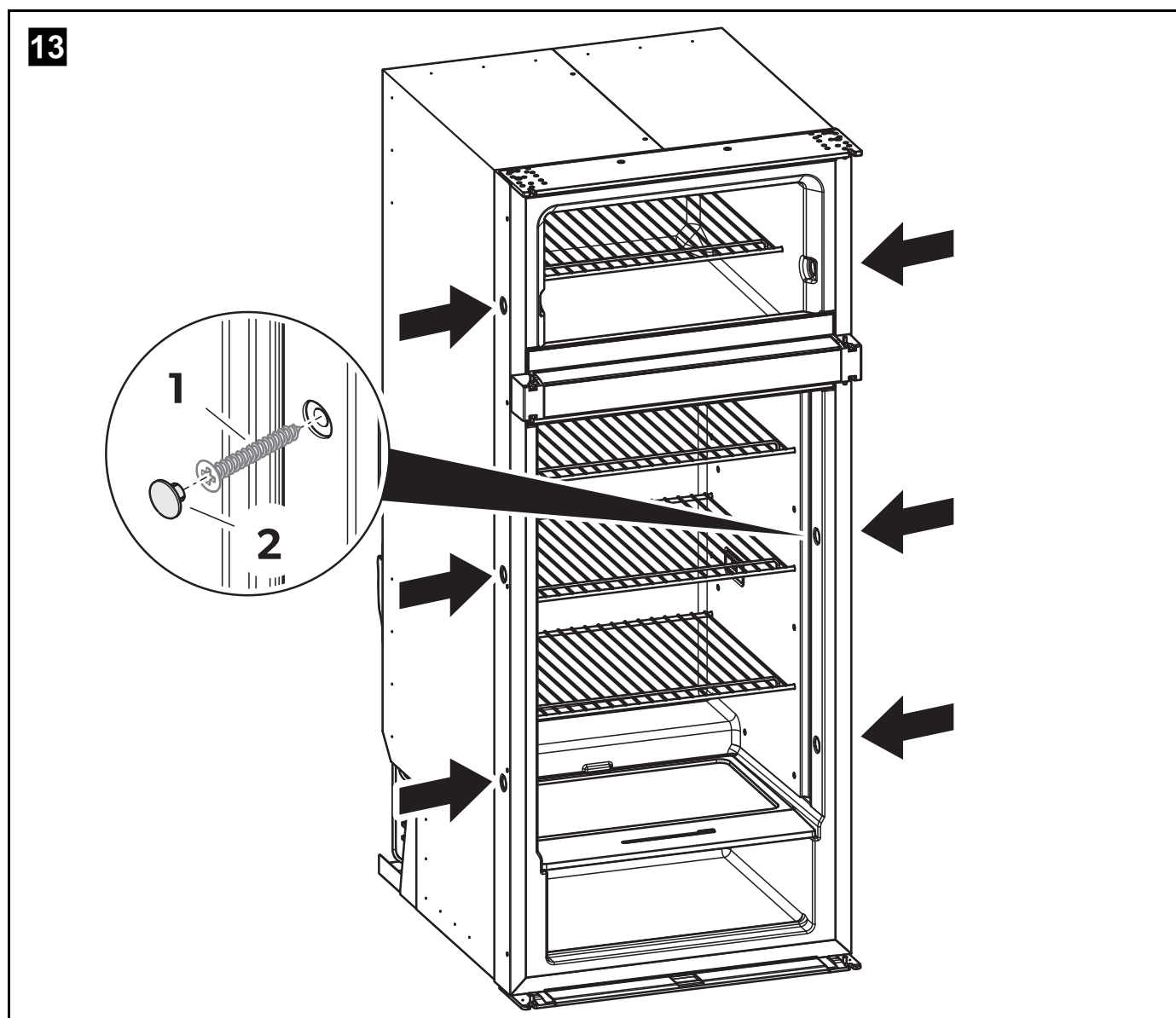
Only screw through the bushes built into the refrigerator side walls (fig. 13), otherwise foamed components, including electrical wiring, can be damaged.



### **NOTE**

Ensure that the screws are tight, even when under increased loads (while driving).

1. Push the refrigerator firmly into its final location with the front flange sitting hard against the recess front.



2. Push suitable screws (not included, fig. **13** 1) through the bushes in the sides of the refrigerator, and fasten into the recess walls.
3. Fit the included bushcaps (fig. **13** 2) into the bushes.

## 9 Connecting the refrigerator

### 9.1 Connecting the refrigerator to 12 – 24 V DC



#### **NOTICE! Damage hazard**

To avoid voltage drops and loss of performance, keep the connection cable as short as possible and uninterrupted.

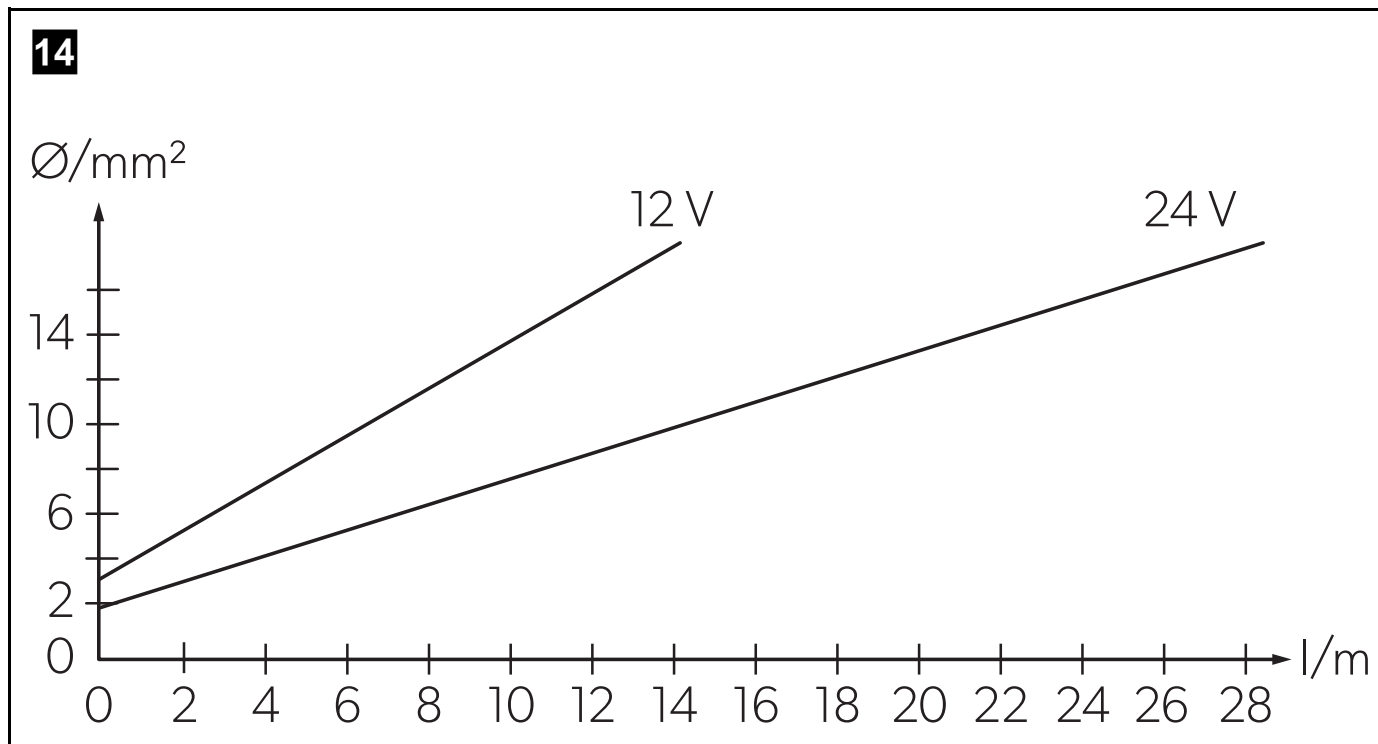
Therefore avoid additional switches, plugs or power strips.

The refrigerator can be operated with a 12 V or 24 V DC voltage supply.

For safety reasons, the refrigerator is equipped with an electronic system to prevent the polarity being reversed. This protects the refrigerator against reversed polarity when connecting to a battery and against short circuiting.

To protect the battery, the refrigerator switches off automatically if the voltage is insufficient (see table below).

	12 V	24 V
<b>Cut-off voltage</b>	10.4 V	22.8 V
<b>Cut-in voltage</b>	11.7 V	24.2 V



1. Determine the required cross section of the cable in relation to the cable length according to the figure above.  
Legend to the figure

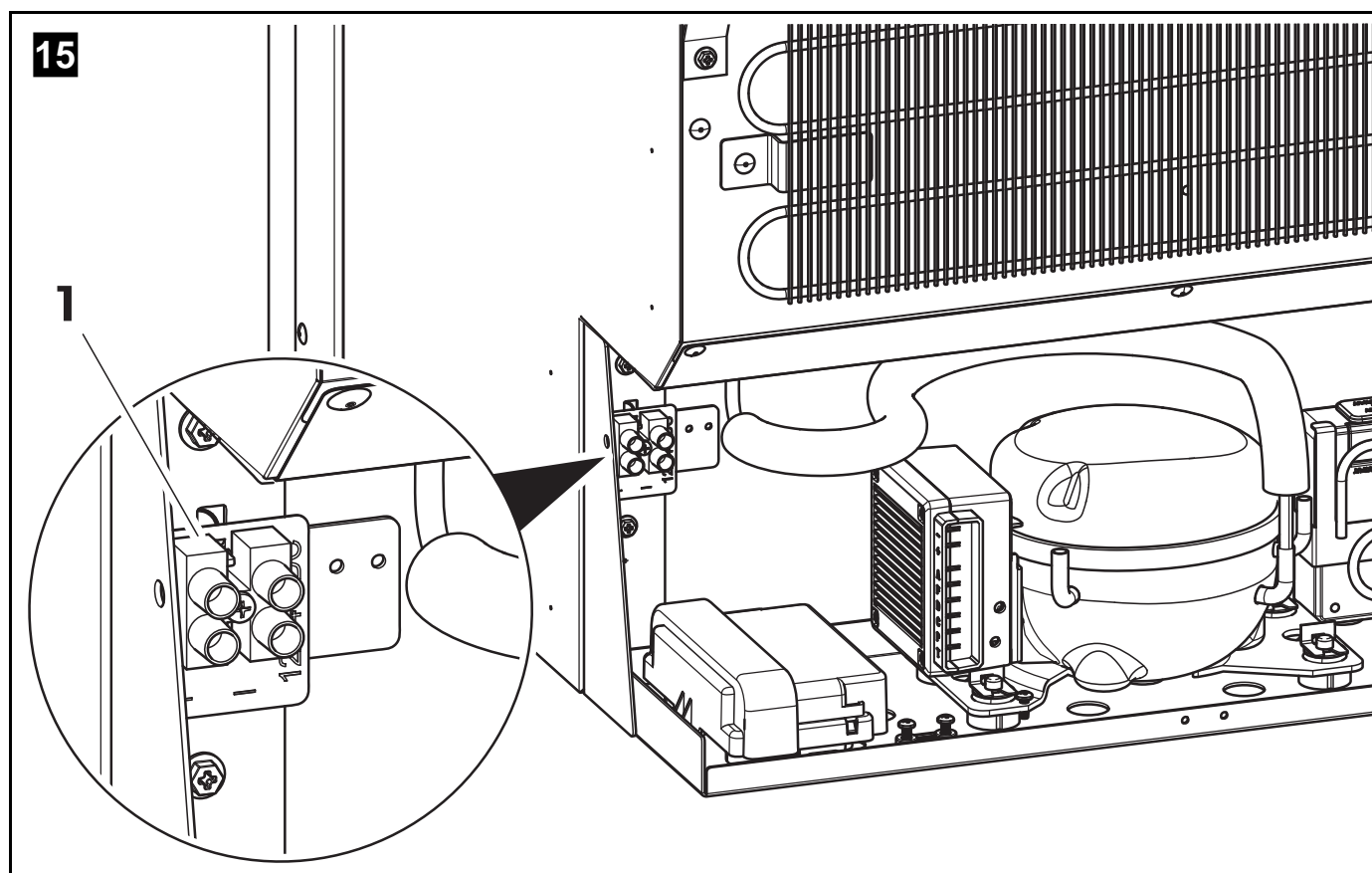
Coordinate axis	Meaning	Unit
l	Cable length	m
Ø	Cable cross section	mm <sup>2</sup>



**NOTICE! Damage hazard**

Ensure the polarity is correct.

2. Before starting up the device for the first time, check whether the operating voltage and the battery voltage match (see type plate).



3. Connect the cable to the refrigerator DC terminal block (fig. **15** 1).



#### NOTE

Connect the refrigerator as directly as possible to the battery to reduce the voltage drop in the cable.

4. Connect the refrigerator with fuse protection fitted to the positive (+) side of the supply cable of 15 A (at 12 V) or 7.5 A (at 24 V), with fuse fitted at the battery end of the cable.

## 9.2 Connecting the refrigerator to AC mains



#### DANGER! Electrocuting hazard

- Never handle plugs and switches with wet hands or if you are standing on a wet surface.
- If the refrigerator is operated on a boat with an AC mains connection via a shore connection, a residual current circuit breaker must be installed between the AC mains and the refrigerator.  
Seek advice from a qualified electrician.

► To connect the refrigerator to the AC mains, plug the connector into the AC socket.

## 10 Operation

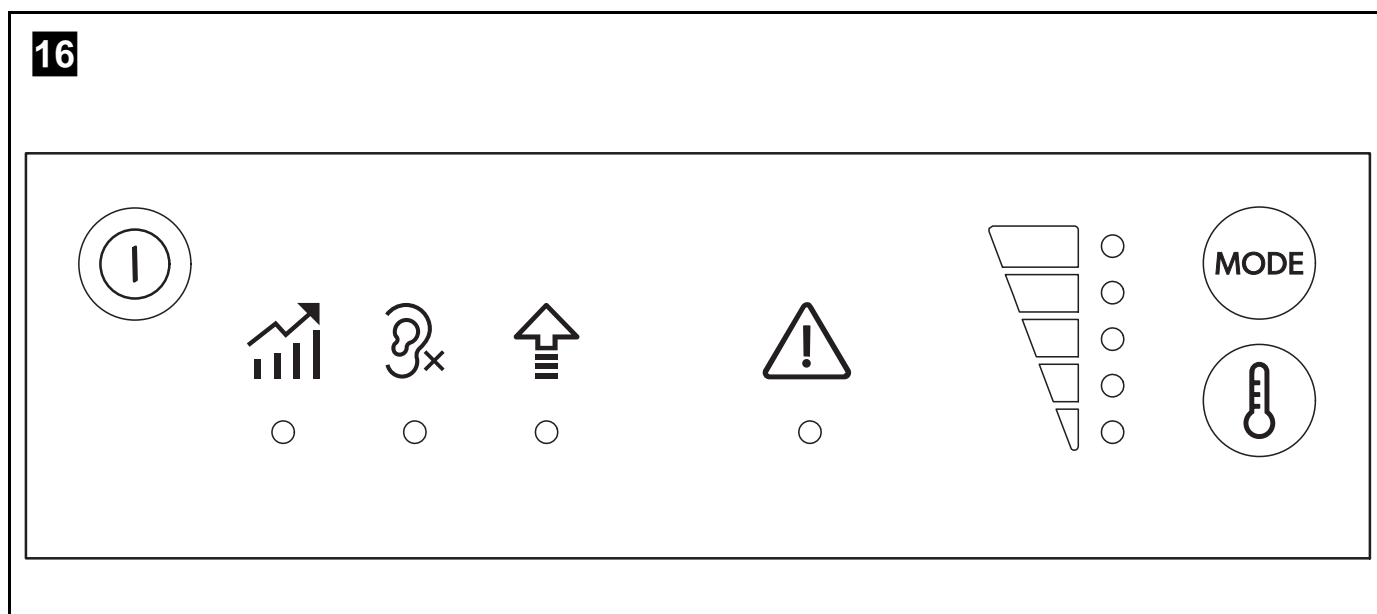
### 10.1 Before first use

Before first use, clean the inside of the refrigerator with a damp cloth for hygienic reasons (see chapter “Cleaning and maintenance” on page 34).

### 10.2 Saving energy









- Only open the refrigerator as often and for as long as necessary.
- Allow warm food to cool down first before placing it in the device to keep cool.
- Defrost your refrigerator as soon as a layer of ice forms.
- Avoid unnecessarily low temperature settings.
- For optimal energy consumption, position the shelves and drawers according to their position on delivery.
- On a regular basis, ensure the door seal still fits properly.
- Clean dust and dirt from the condenser at regular intervals.

### 10.3 Operating and display elements






The refrigerator has an LED display above the refrigerator door (fig. 16).

The LED display features the following operating and display elements:

Symbol	Description
	ON/OFF button
	Performance mode
	Silent mode
	Turbo mode
	Error warning
	Temperature indicator
	Mode selection button
	Temperature selection button

### 10.4 User modes

The following table shows the user modes and their settings:

User mode	Symbol	Compressor speed	Outer fan	Defrost	Temperature setting	Duration
Performance		Auto	Auto	Auto	Levels 1 – 5	ongoing
Silent		Limited	Low	Auto	Levels 1 – 3	ongoing
Turbo		High	High	Off	Coldest level (5)	max. 12 hours



## 10.5 Switching on

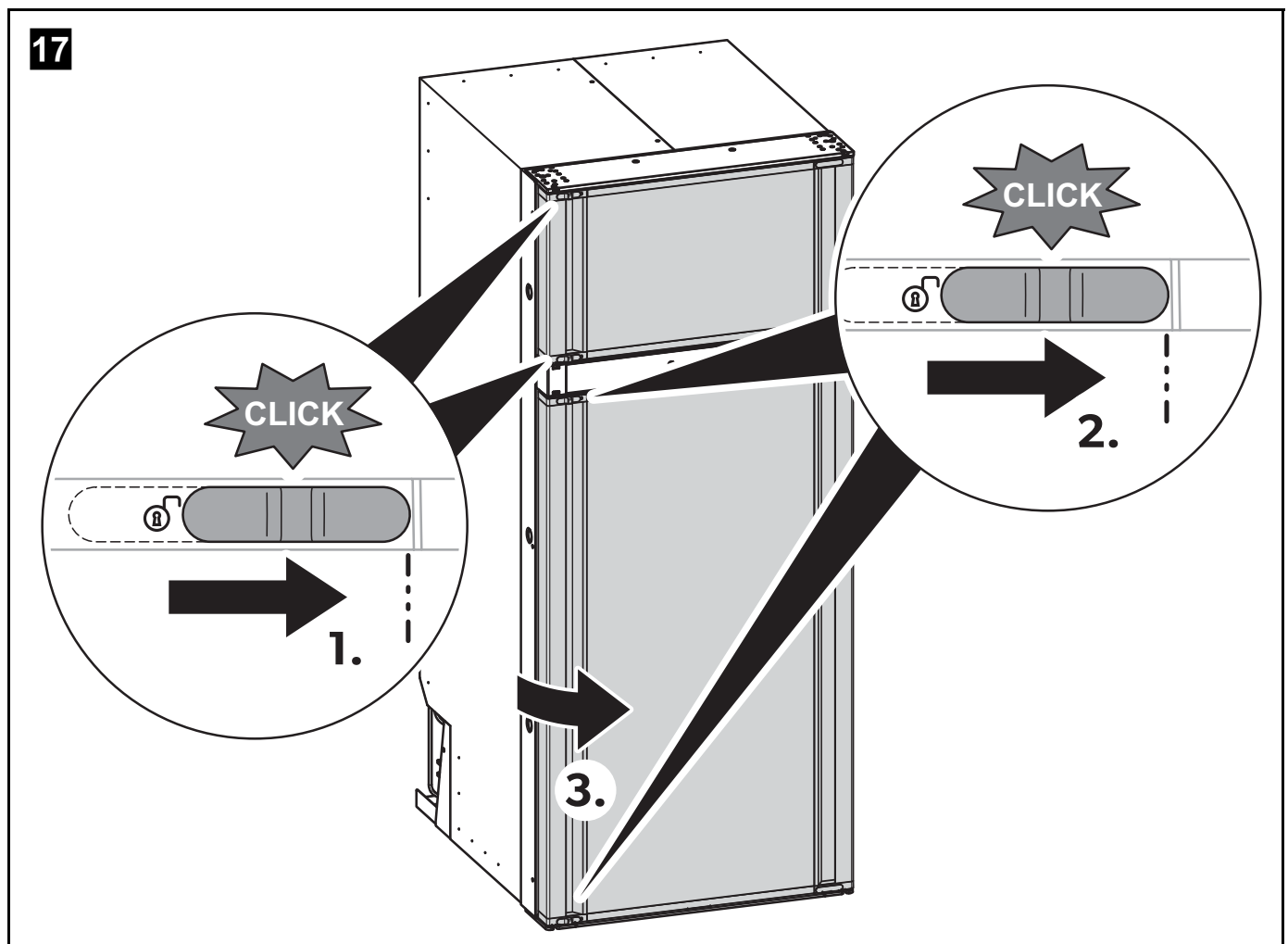


### NOTE

- When using the refrigerator for the first time, there may be a mild odor which will disappear after a few hours. Air the living space well.
- Park the vehicle so that it is level, especially when starting up and filling the refrigerator before setting off on a journey.

- Press the ① button for at least 3 seconds.
- ✓ The refrigerator starts with the last selected settings.

## 10.6 Opening the refrigerator door/freezer compartment door

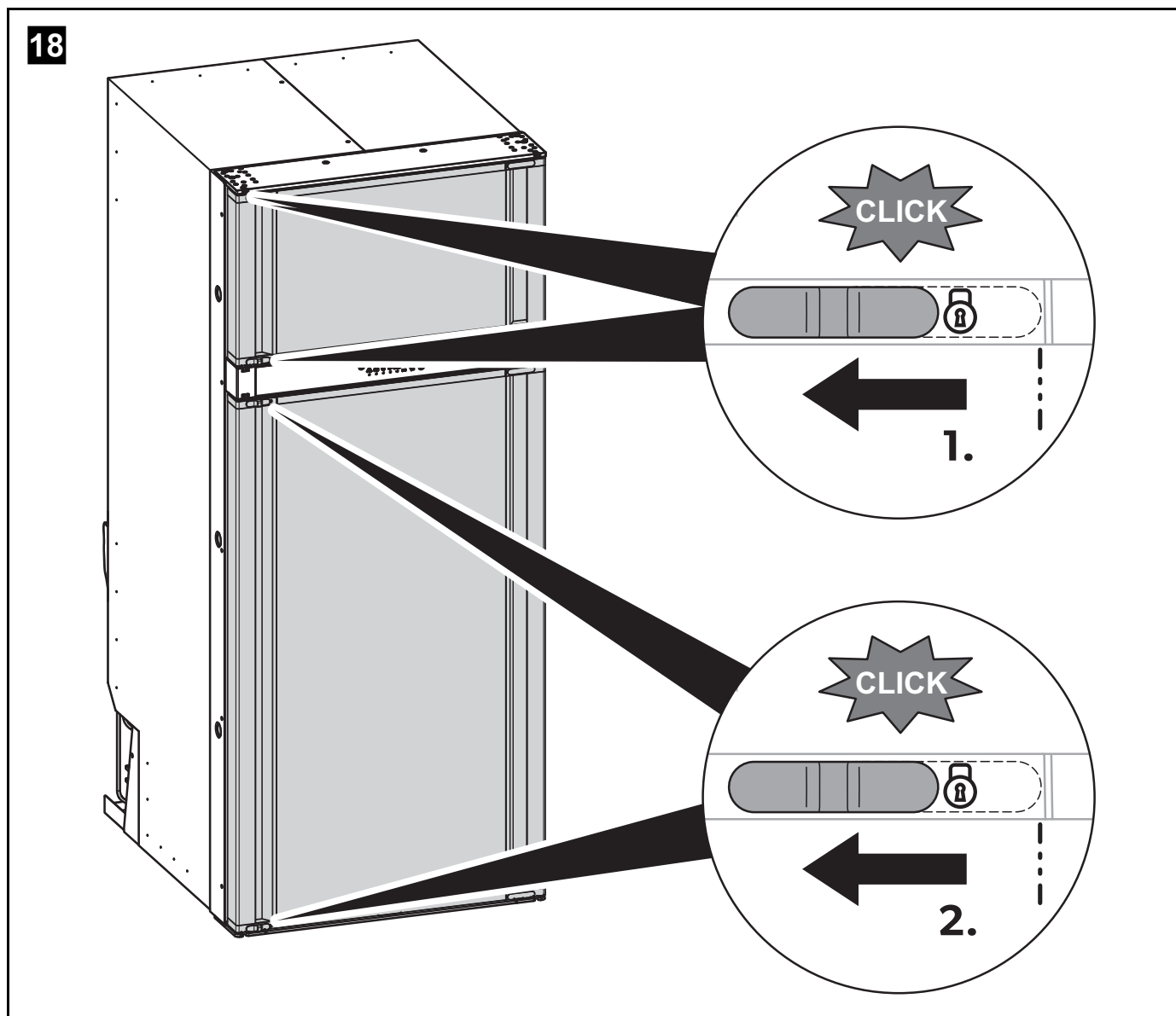


### CAUTION! Injury hazard

- Always close and lock the refrigerator before starting a journey.
- Open the doors carefully, because goods may have shifted and could fall out.

- Push the door locks to the right (1. and 2. in fig. 17).
- ✓ The doors are now unlocked and can be opened.

## 10.7 Locking the refrigerator door/freezer compartment door



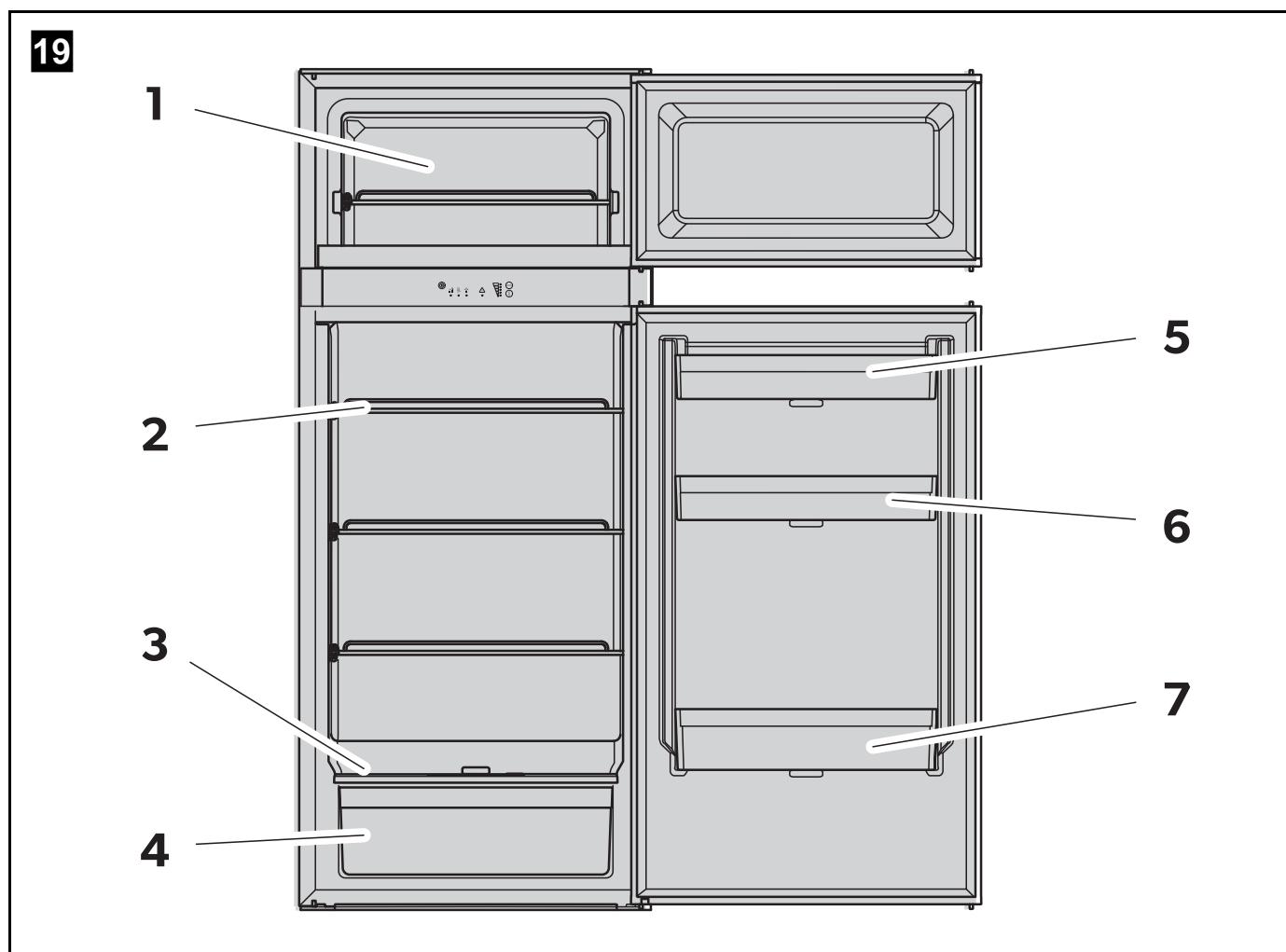
1. Ensure the airing catch is in the normal use position and not in the airing function position (fig. **23**, page 33).
  2. Close the doors.
  3. Push the door locks to the left (**1.** and **2.** in fig. **18**).
- ✓ The door is now closed and locked for traveling.

## 10.8 Notes on storing food



### **NOTICE! Damage hazard**

Only store heavy objects such as bottles or cans in the refrigerator door, in the vegetable compartment or on the bottom shelf.



**No. in fig. 19, page 27 Food**

1	Frozen food
2	Dairy products, ready-made meals
3	Meat, fish, items for defrosting
4	Salad, vegetables, fruit
5	Eggs, butter
6	Dressing, ketchup, jam
7	Drinks in bottles or cartons

Observe the following instructions for storing items:

- Do not keep carbonated drinks in the freezer compartment.
- The freezer compartment is suitable for making ice cubes and for keeping frozen food short-term. It is not suitable for long-term food storage.
- Pack raw and cooked items separately.
- Observe the expiry date on the packaging.
- Do not leave refrigerated items outside the refrigerator for too long.
- Clean the inside of the refrigerator at regular intervals.

## 10.9 Switching off

- Press the ① button for at least 3 seconds.
- ✓ The refrigerator is switched off completely.
- If you do not intend using the refrigerator for an extended period of time, disconnect the power supply.

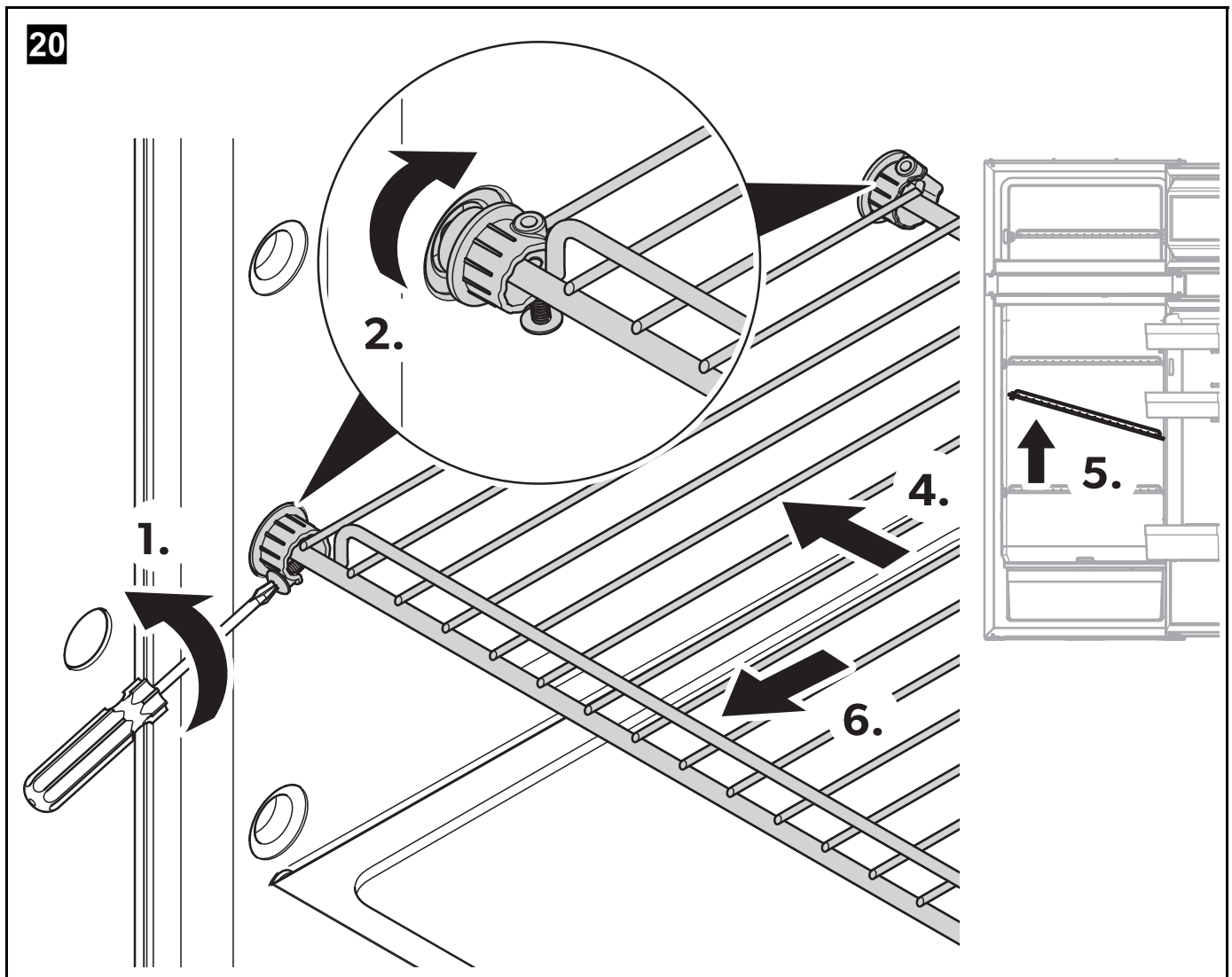
## 10.10 Positioning the shelves



### **WARNING! Risk of child entrapment**

All shelves are fixed in place to prevent children from climbing into the refrigerator.

- Only remove the shelves for cleaning purposes.
- Refit the shelves and secure them in place.



## Removing the shelves

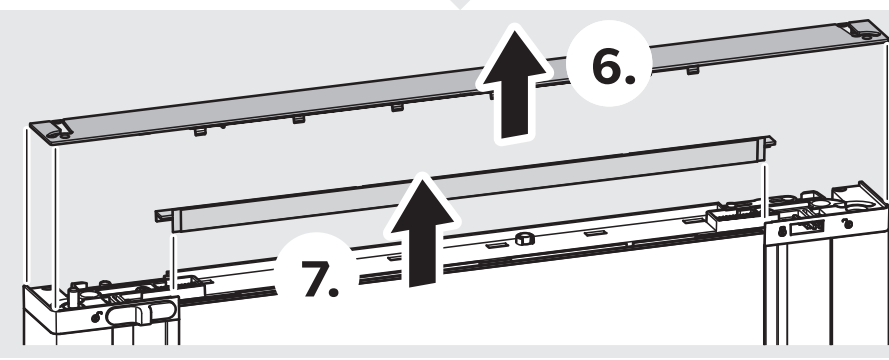
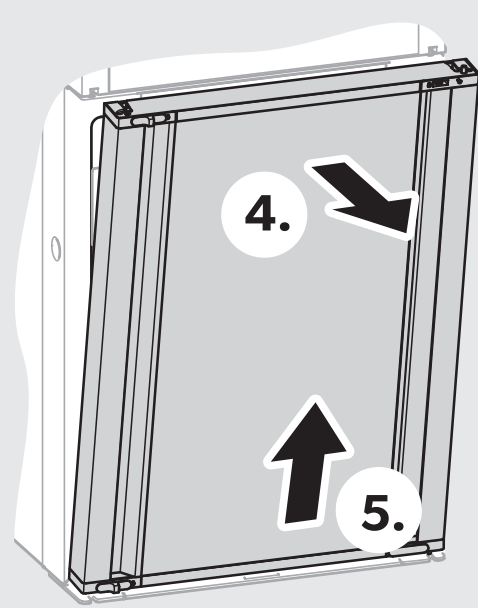
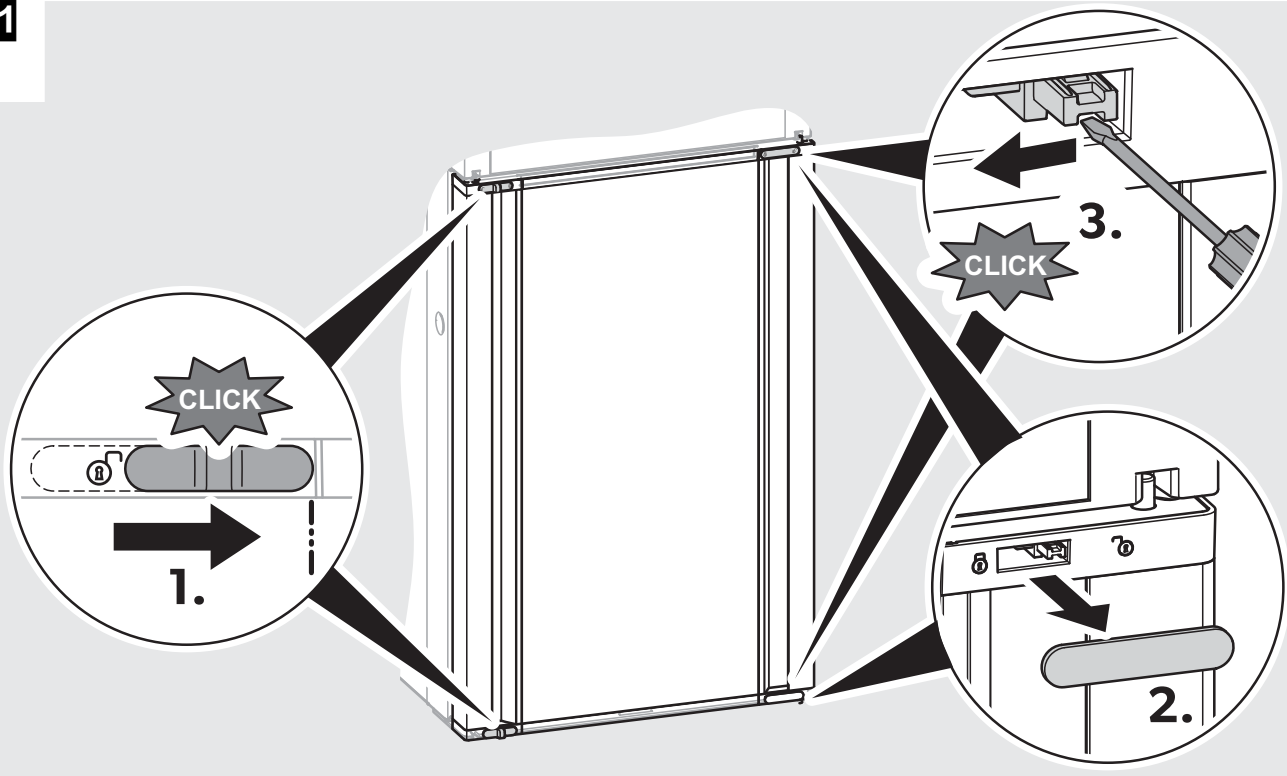
1. Loosen the screw (1.).
2. Turn the front ring clockwise (2.).
3. Turn the back ring anti-clockwise (3.).
4. Push the shelf to the right (4.).
5. Push the shelf up (5.).
6. Remove the shelf by pulling it out (6.).

**Refitting the shelves**

- ▶ Refit the shelf in the reverse order.

**10.11 Replacing the door panel****Removing the door panel**

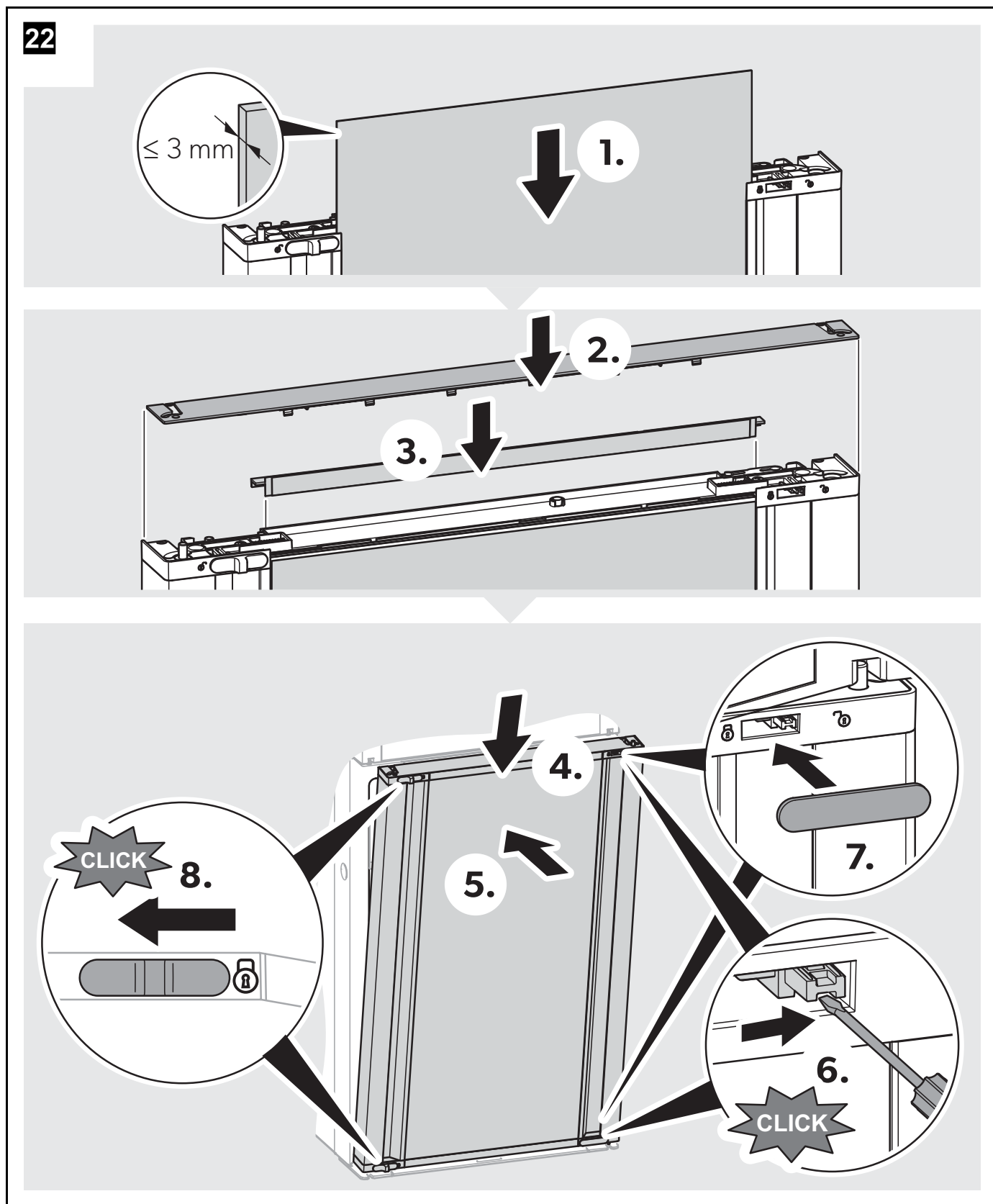
21



Proceed as follows (fig. **21**):

1. Push the door locks to the right (**1.**).
2. Remove the door lock plates (**2.**).
3. Push the hinge side locks to the left (**3.**).
4. Tilt the door (**4.**).
5. Remove the door (**5.**).
6. Remove the upper plates (**6.** and **7.**).
7. Remove the door panel.

**Installing the new door panel**



Proceed as follows (fig. 22):

1. Push the new panel downwards into the door until the lower horizontal edge of the panel fits into the bottom groove. Ensure that the vertical edges fit into the grooves of the door frame (1.).
2. Fit the upper plates onto the door (2. and 3.).



3. Put the door back into place (**4.** and **5.**).
4. Push the hinge side locks to the right (**6.**).
5. Fit the door lock plates onto the door lock (**7.**).
6. Push the door locks to the left (**8.**).

## 10.12 Preparing the refrigerator for prolonged periods of non-use

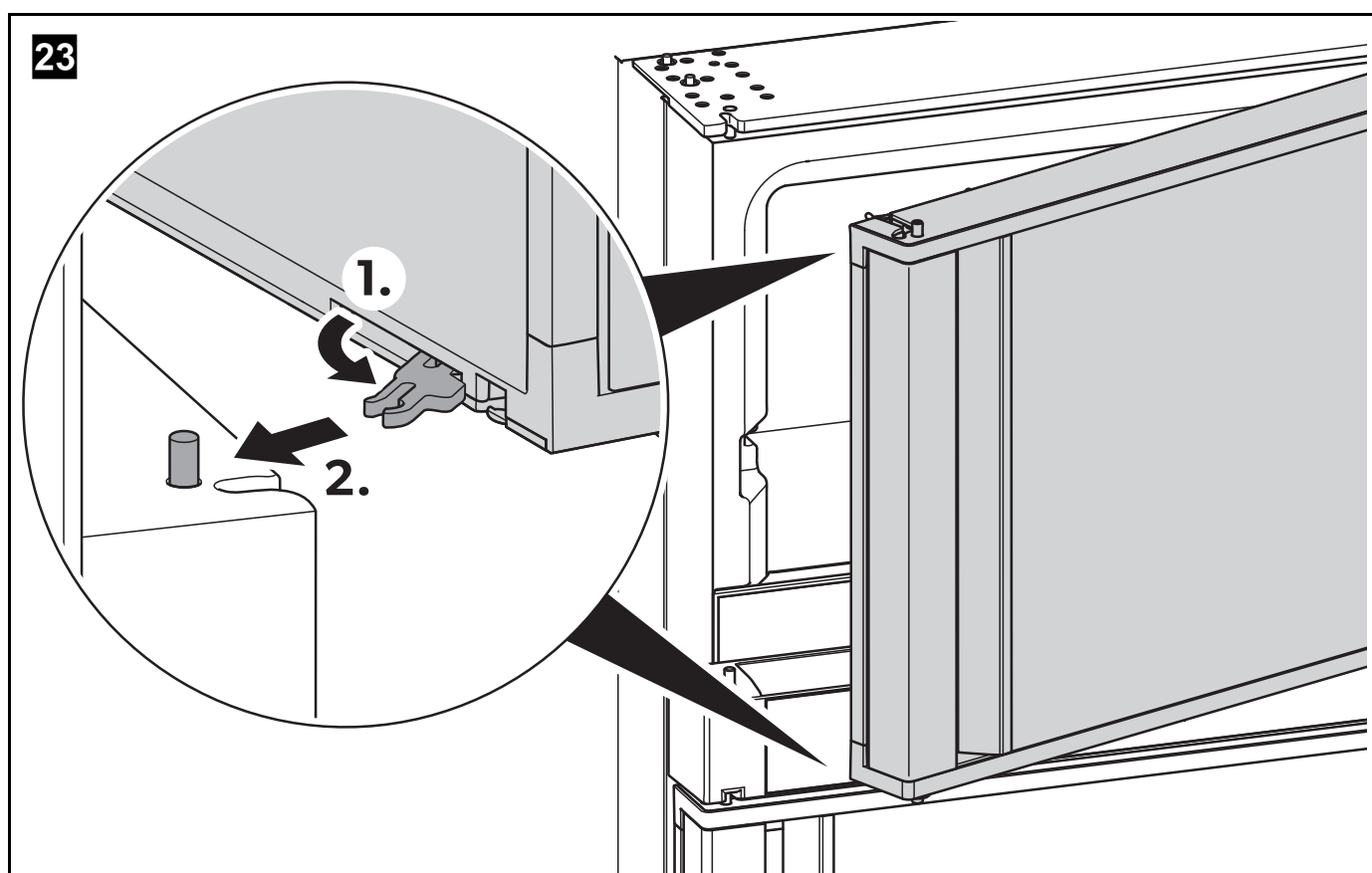


### NOTICE! Damage hazard

Do not use the door airing function while driving.

Use the door ventilation function of the refrigerator door and the freezer compartment door when the refrigerator is not used for a prolonged period of time. This prevents mold from forming when the refrigerator is not in use or put into storage.

1. Defrost the refrigerator (chapter "Defrosting the refrigerator manually" on page 34).



2. Rotate the airing catch located at the rear of door by 180° (**1.** in fig. **23**).
  3. Engage the airing catch (**2.** in fig. **23**).
- The doors are latched slightly opened.

## 11 Cleaning and maintenance

### 11.1 Cleaning the refrigerator

**WARNING! Electrocuting hazard**

Always disconnect the refrigerator from the mains before you clean and service it.

**NOTICE! Damage hazard**

- Do not use abrasive cleaning agents or hard objects during cleaning as these can damage the refrigerator.
- Never use hard or sharp tools to remove ice or to free objects frozen onto the device.
- Do not use any mechanical tools or any other tools to speed up the defrosting process.

- Clean the refrigerator regularly and as soon as it becomes dirty with a damp cloth.
- Make sure that no water drips into the seals. This can damage the electronics.
- Wipe the refrigerator dry with a cloth after cleaning.
- Check the condensate drain regularly.

Clean the condensate drain when necessary. If it is blocked, the condensate collects on the bottom of the refrigerator.

### 11.2 Defrosting the refrigerator manually

The refrigerator compartment has an automatic cyclic defrost system, which prevents excessive frost forming. However, if the refrigerator is used for extended periods in high humidity and/or high ambient temperature conditions, frost may build up on the rear interior wall, which can reduce the cooling performance. In this case a manual defrost is recommended.

The freezer compartment will require periodic manual defrosting, recommended if the frost layer is more than 3 mm.

**NOTICE! Damage hazard**

Never use mechanical tools to remove ice or to loosen objects stuck to the device.


1. Disconnect the power supply.
2. Empty the contents.
3. Put a cloth in the compartment and the refrigerator to absorb any excess water.
4. Leave the doors open.
- ✓ Most of the refrigerator compartment condensate drains off through a hose at the back of the refrigerator and is routed outside the vehicle.
- ✓ The freezer compartment condensate collects at the bottom of the freezer.
5. Wipe both compartments dry with a cloth.

## 12 Troubleshooting

In the event of a fault, the warning LED (  ) in the display flashes according to the fault.

All faults of the WARNING (W) type are reset automatically once the fault has been rectified.

All faults of the ERROR (E) type must be reset manually:

- ▶ Press the  button for 2 seconds.
- ✓ A beep sounds.
- ✓ The error has been reset.

Number of flashes	Audio alarm	Fault type	Fault	Solution
Continuous	No	W	Defective temperature sensor in the refrigerator compartment	▶ Contact an authorized customer service point.
1	Yes	W	DC voltage < 10.0 – 31.5 V	Resets automatically
2	Yes	E	Outer fan overcurrent	▶ Press the on/off button for at least 2 seconds.
3	Yes	E	Compressor does not start	▶ Press the on/off button for at least 2 seconds.
4	Yes	E	Compressor overload	▶ Press the on/off button for at least 2 seconds.
5	Yes	E	Thermal cut out compressor controller unit	▶ Press the on/off button for at least 2 seconds.
6	No	W	CI bus fault	Resets automatically
–	Yes	W	Door open for more than 2 minutes	▶ Close the door.

## 13 Warranty

If the product does not work as it should, please contact your retailer or the manufacturer's branch in your country (see [dometic.com/dealer](http://dometic.com/dealer)). The warranty applicable to your product is 3 year(s).

For repair and warranty processing, please include the following documents when you send in the device:

- A copy of the receipt with purchasing date
- A reason for the claim or description of the fault

### Australia only

Our goods come with guarantees that cannot be excluded under the Australian Consumer Law. You are entitled to a replacement or refund for a major failure and for compensation for any other reasonably foreseeable loss or damage. You are also entitled to have the goods repaired or replaced if the goods fail to be of acceptable quality and the failure does not amount to a major failure.

## New Zealand only

This warranty policy is subject to the conditions and guarantees which are mandatory as implied by the Consumer Guarantees Act 1993(NZ).

## Local support

Please find local support at the following link address: [dometic.com/dealer](https://dometic.com/dealer)

## 14 Disposal



### WARNING! Risk of child entrapment

Before disposing of your old product:


- Remove any doors.
- Leave the shelves in the product so that children cannot climb inside.



- Place the packaging material in the appropriate recycling waste bins wherever possible.
- Consult a local recycling center or specialist dealer for details about how to dispose of the product in accordance with the applicable disposal regulations.
- The product can be disposed free of charge.

## 15 Technical data

	<b>RCD10.5XES</b>
Total volume	200 l
Refrigerator compartment volume	159 l
Freezer compartment volume	40.6 l
Connection voltage	100 – 240 V $\sim$ , 50 – 60 Hz 12 V $\equiv$ or 24 V $\equiv$
Power rating (AC)	85 W
Rated current	
12 V $\equiv$	9.5 A
24 V $\equiv$	4.6 A
240 V $\sim$	0.5 A

	<b>RCD10.5XES</b>
Cooling temperature range	
Refrigerator compartment	0 °C to +8°C
Freezer compartment	-20 °C to -10 °C
Low ambient control	5 W heater off-cycle, cut-in at ambient temperature < 12 °C
Noise emission	39 dB
Climatic class	N or T(+16 °C to +43 °C)
Short-term inclination	30°
Refrigerant	R600a
Refrigerant quantity	34 g
Defrost	
Refrigerator compartment	Cyclic
Freezer compartment	Manual
Dimensions (in mm)	
W x H	
– without flange	526 x 1246
– with flange	550 x 1260
Depth (in mm)	
– overall	615
– from flange rear face	561
Weight	48.5 kg
Inspection/certification:	

This product contains fluorinated greenhouse gases.

The cooling unit is hermetically sealed.







---

**dometic.com**

---

**YOUR LOCAL  
DEALER**

**[dometic.com/dealer](https://dometic.com/dealer)**

**YOUR LOCAL  
SUPPORT**

**[dometic.com/contact](https://dometic.com/contact)**

**YOUR LOCAL  
SALES OFFICE**

**[dometic.com/sales-offices](https://dometic.com/sales-offices)**

---

A complete list of Dometic companies, which comprise the Dometic Group, can be found in the public filings of:  
**DOMETIC GROUP AB** • Hemvärnsgatan 15 • SE-17154 Solna • Sweden

More information <https://www.caravansplus.com.au>