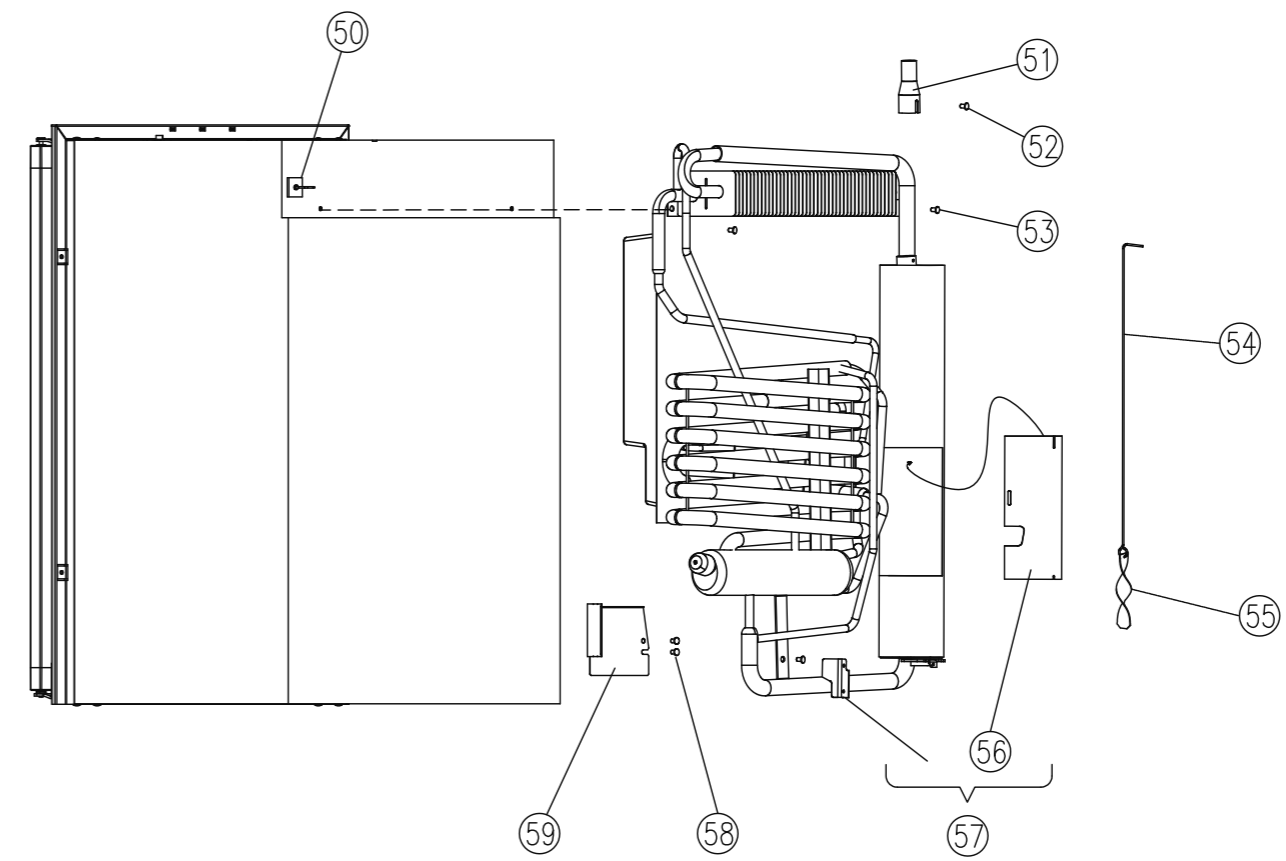
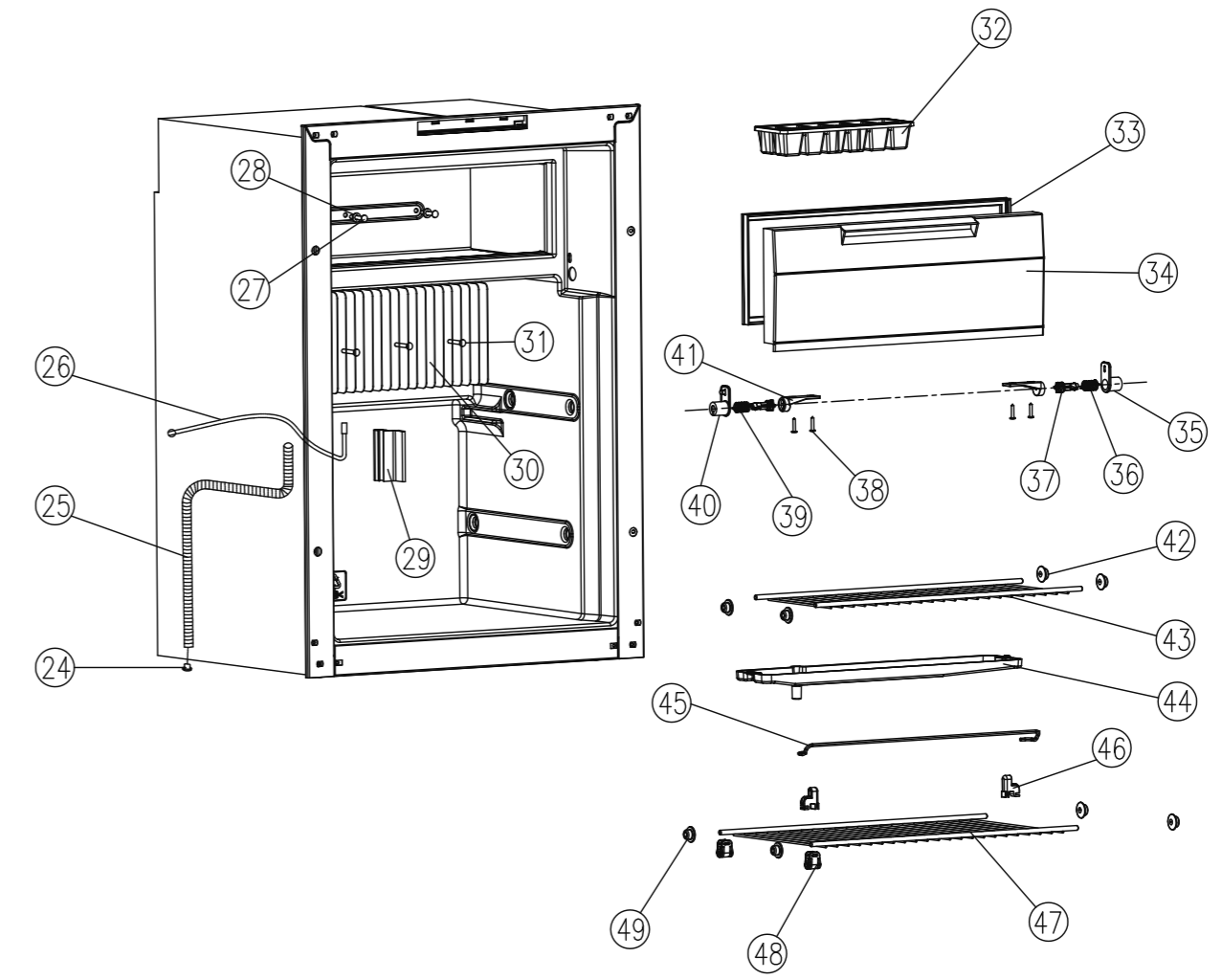
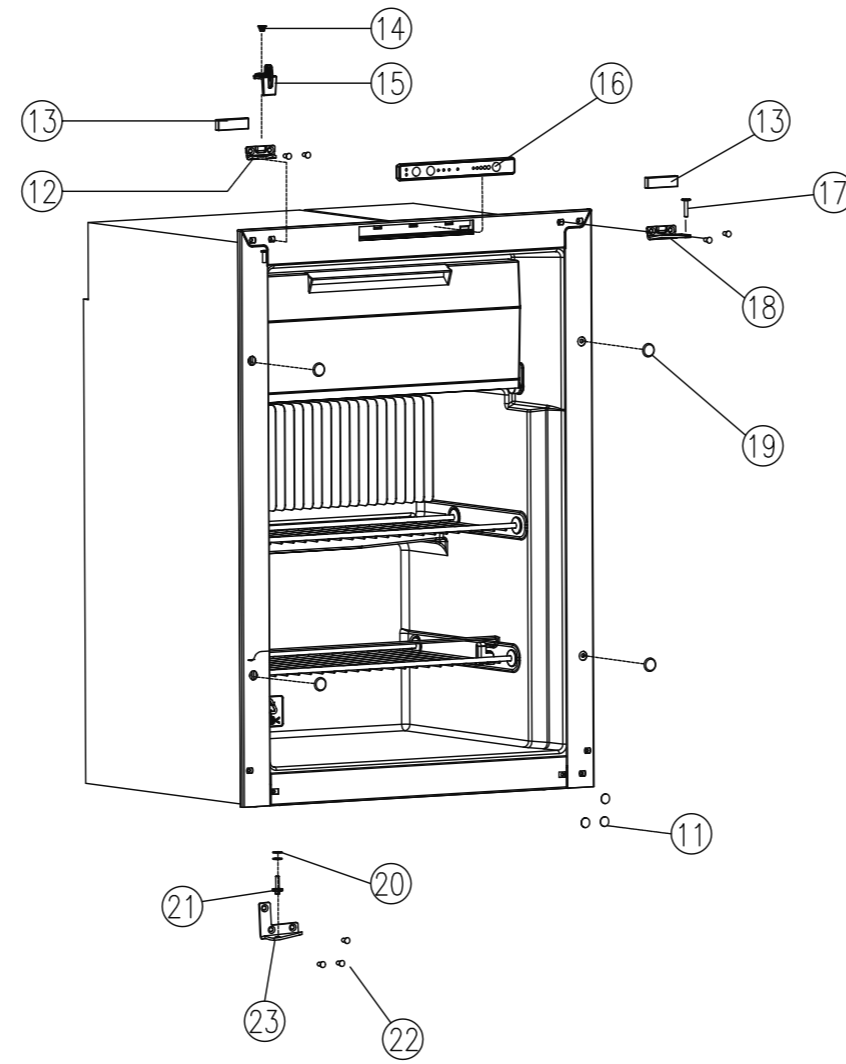
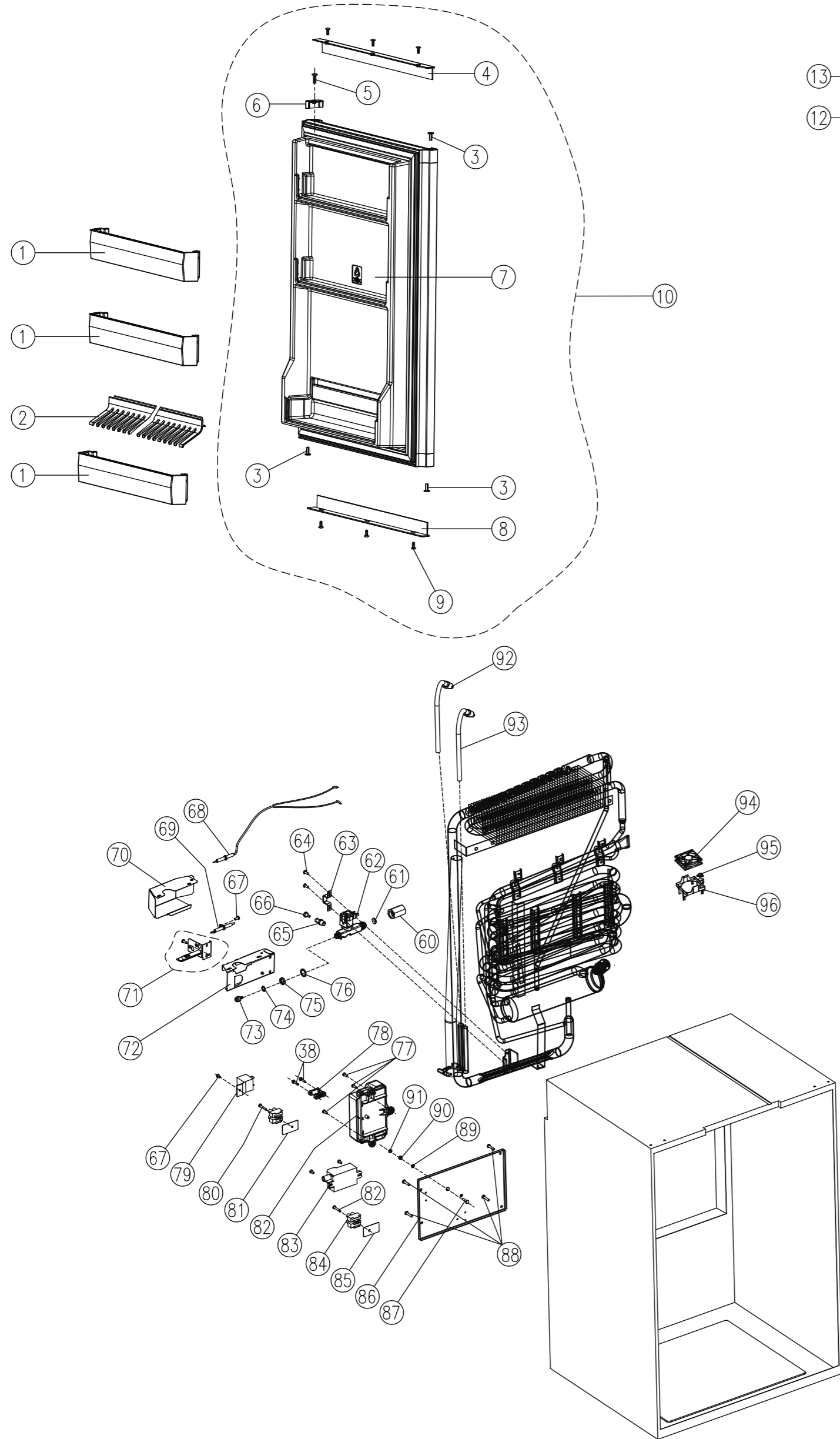


NOTE: THIS DRAWING WAS PRODUCED BY COMPUTER, DO NOT UPDATE MANUALLY.

PICTURE  
SCALE

A4



△5					PART NO.	RM2356LB	DWG.NO. 378MD01	REV. 00
△4					TITLE	MAINTENANCE DRAWING	TRIGONOMETRY	⊕
△3					DRN	YANG.CHENG	2014.09.03	MODEL NO. 223
△2					CHK		SCALE FULL	MAT'L
△1					APPV		UNIT MM	SHEET 1/1
NOTE	DATE	CONTENT	ECO NO.	NAME	<b>MOBICOOL INTERNATIONAL LTD.</b>			