

CONTROL PANEL OVERVIEW



Cotton

Suitable for daily mixed washing of cotton, linen and chemical fiber clothing.



Quick Wash

Suitable for washing slightly soiled laundry.



95°C Hot Wash

High temperature sterilization, up to 95°C, not recommended for clothes likely to fade.



Baby Care

Suitable for washing ordinary baby clothes, able to remove common stains.



Delicates

Delicates should not be mixed with general items. Bras can be placed on the rear hook.



Spin

Perform the spin procedure only and spin dry excess water from the clothes.



Drum Clean

Designed to clean and sanitise the inner drum of the washing machine.



Rinse + Spin

Suitable for clothes for which only rinsing is needed or clothes requiring rinsing with softener.



Delay

The delay function sets the **end** time of the chosen cycle to a maximum of 24 hours.

**increments from 1-hr to 24-hrs*



Child Lock

Locks all functions except the power button to avoid tampering.



Temperature Button

Displays temperature selection options. Choose temperature according to wash items.



Power Button

Turns the power on/off. The machine will power off after 10 Minutes if a cycle is not started.

CONTROL PANEL OVERVIEW (CONT)



Start/Pause

Starts the selected wash cycle and can be used to pause and restart the cycle during operation.



Rinse+

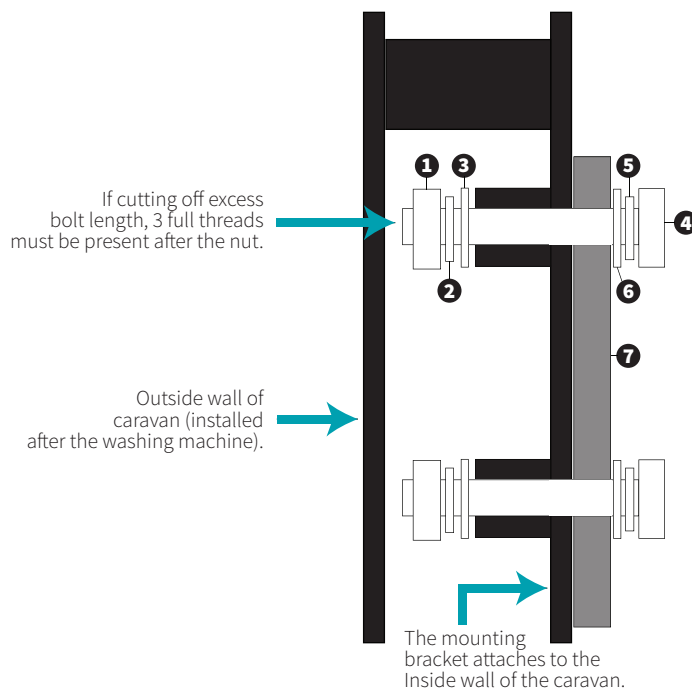
Rinse only function (no spin cycle).



Voice/Mute

When illuminated, the audio beeps are muted.

MOUNTING



- ❶ M12 Nut – Qty 6
- ❷ M12 Spring Washer – Qty 12
- ❸ M12 Washer – Qty 12
- ❹ M12, 120mm Hex Head Bolt – Qty 6
- ❺ M12 Spring Washer – Qty 12
- ❻ M12 Washer – Qty 12
- ❼ Washing Mount Mounting Bracket (plastic), 40mm thick – Qty 1

Note: The fastener (bolt & nut) must clamp against solid timber, with no air gaps, otherwise a soft joint could result in the bolt or nut coming loose.

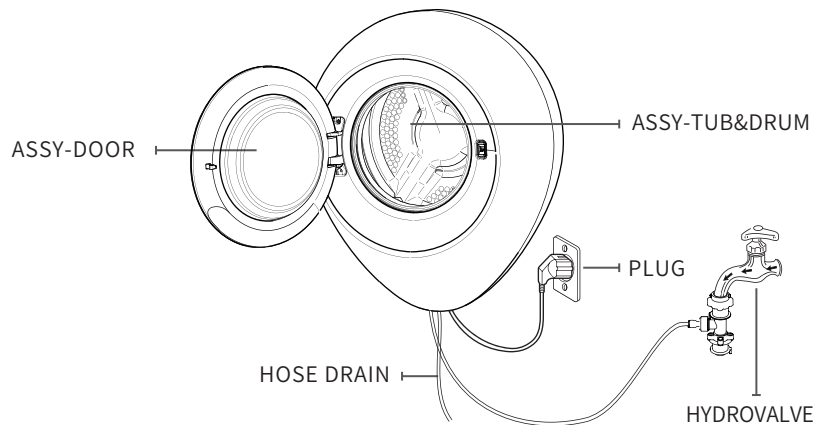
M12 Bolt torque: 60Nm – 85Nm*. All 6 bolts should be used for the installation. If the bolts are too long, excess length can be cut off once the fastener is torqued up correctly. Any cutting must leave 3 full threads, exposed past the nut.

This system is designed for mounting the 2.5 kg Camec Wall Mount Washing Machine to structurally sound caravan walls that are 20mm – 65mm thick.

The washing machine must only be mounted to structurally sound caravan walls that are fit for purpose. Care should be taken to ensure adequate clearance to wiring or plumbing when installing the washing machine.

INSTALLATION

With the washing machine securely mounted as described on the previous page, attach the hose drain, power cord and hydrovalve. Before using the appliance please observe the precautions outlined below.



Power supply

- ◆ To avoid unnecessary risk of fire, electric shock or personal injury, all electrical circuits and grounding must be set as per the national electrical standard.
- ◆ When the heating function is used, the maximum current of the washing machine may reach 10A. Ensure that your power supply unit (current, voltage and cable) can meet the normal load requirements of the appliance.
- ◆ The power cord has to be positioned so that it will not be stepped on, pressed or clamped by the article on or next to it.

Water supply

- ◆ The working water pressure of the washing machine is 0.05MPa~0.8MPa. When the water pressure is below 0.05MPa, the water supply valve may not work normally.

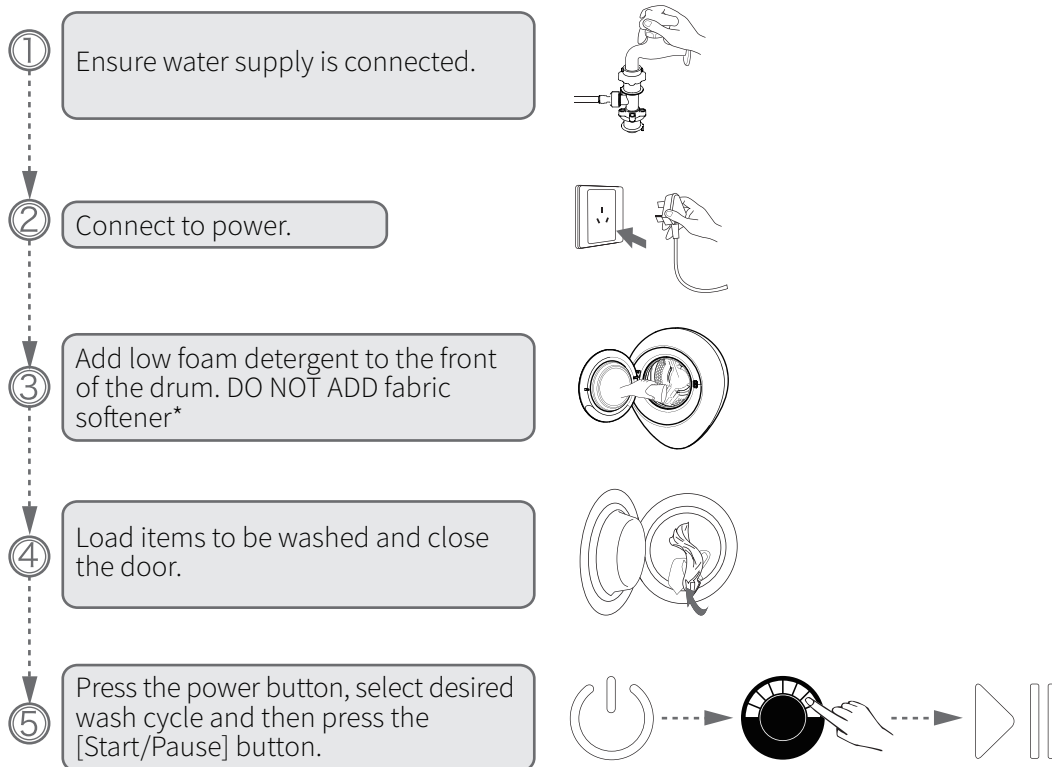
Ambient Temperature

- ◆ The washing machine is designed to operate in a temperature range of 0°C to 40°C with a maximum of 95% relative humidity at 25°C. Attempting to use the appliance in temperatures below 0°C may result in ice forming in the water valve, drainage pump and water pipe. This condition may cause damage to the belt, drainage pump and other parts.

OPERATING INSTRUCTIONS

The Camec 2.5 KG wall mounted washing machine provides a wide range of custom wash cycles and functions to ensure superior results. With correct use and basic maintenance, the device will provide many years of trouble free operation.

Only use low foam detergents designed for use with front load washing machines.



*If fabric softener is desired, wait until the wash cycle is complete. Add softener to the drum and select "Rinse & Spin" to condition the load.

STORAGE

If an extended period of time between uses is anticipated, the appliance should be completely drained of water and the drum exposed to ambient air conditions.

These steps will avoid potential damage to components and the likelihood of mould, mildew and unpleasant odours developing:

1. Perform a "Spin" cycle to drain residual water from the machine.
2. Turn off the water supply and disconnect the water supply hose.
3. Unplug the washing machine and open the door to allow ventilation.