



**Dometic
Spare parts list**

When ordering parts, always state:

MODEL NO. - PRODUCT NO. - QUANTITY -

PART NO. - DESCRIPTION

For electric details also state:

VOLTAGE - WATTAGE

Add a 0 in front of part numbers with less than 10 digits

Recreational Vehicle Refrigerator

PNC	Voltage	Brand	Model	Door	Market
921070743		Dometic	RM5310		NZ
921070745		Dometic	RM5310		AU
921070747		Dometic	RM5310		AU
921070749		Dometic	RM5310		AU

Recreational Vehicle Refrigerator

SERVICE OFFICE
Dometic Germany

In der Steinwiese 16
D-57074 Siegen
Fax +49 271 692322

Publication-No.
599746865
2012/01/16

Product specification 92107074300 RM5310

Model RM 5310

Technical features

Width	486 mm
Height	618 mm
Length	474 mm
Weight	20 kg

Fridge thermostat

Max settings	
Cut-in / cut-out	-4,0 +/-1,0 // -10,0 +/-1,0 °C
Warm position	
Cut-in / cut-out	6,0 +/-2,2 // 1,5 +/-2,5 °C
Capillary length	1500 mm

Product specification 92107074500 RM5310

Model RM 5310

Technical features

Width	486 mm
Height	618 mm
Length	474 mm
Weight	20 kg

Fridge thermostat

Max settings	
Cut-in / cut-out	-4,0 +/-1,0 // -10,0 +/-1,0 °C
Warm position	
Cut-in / cut-out	6,0 +/-2,2 // 1,5 +/-2,5 °C
Capillary length	1500 mm

Product specification 92107074700 RM5310

Model RM 5310

Technical features

Width	486 mm
Height	618 mm
Length	474 mm
Weight	20 kg

Fridge thermostat

Max settings	
Cut-in / cut-out	-4,0 +/-1,0 // -10,0 +/-1,0 °C
Warm position	
Cut-in / cut-out	6,0 +/-2,2 // 1,5 +/-2,5 °C
Capillary length	1500 mm

Product specification 92107074900 RM5310

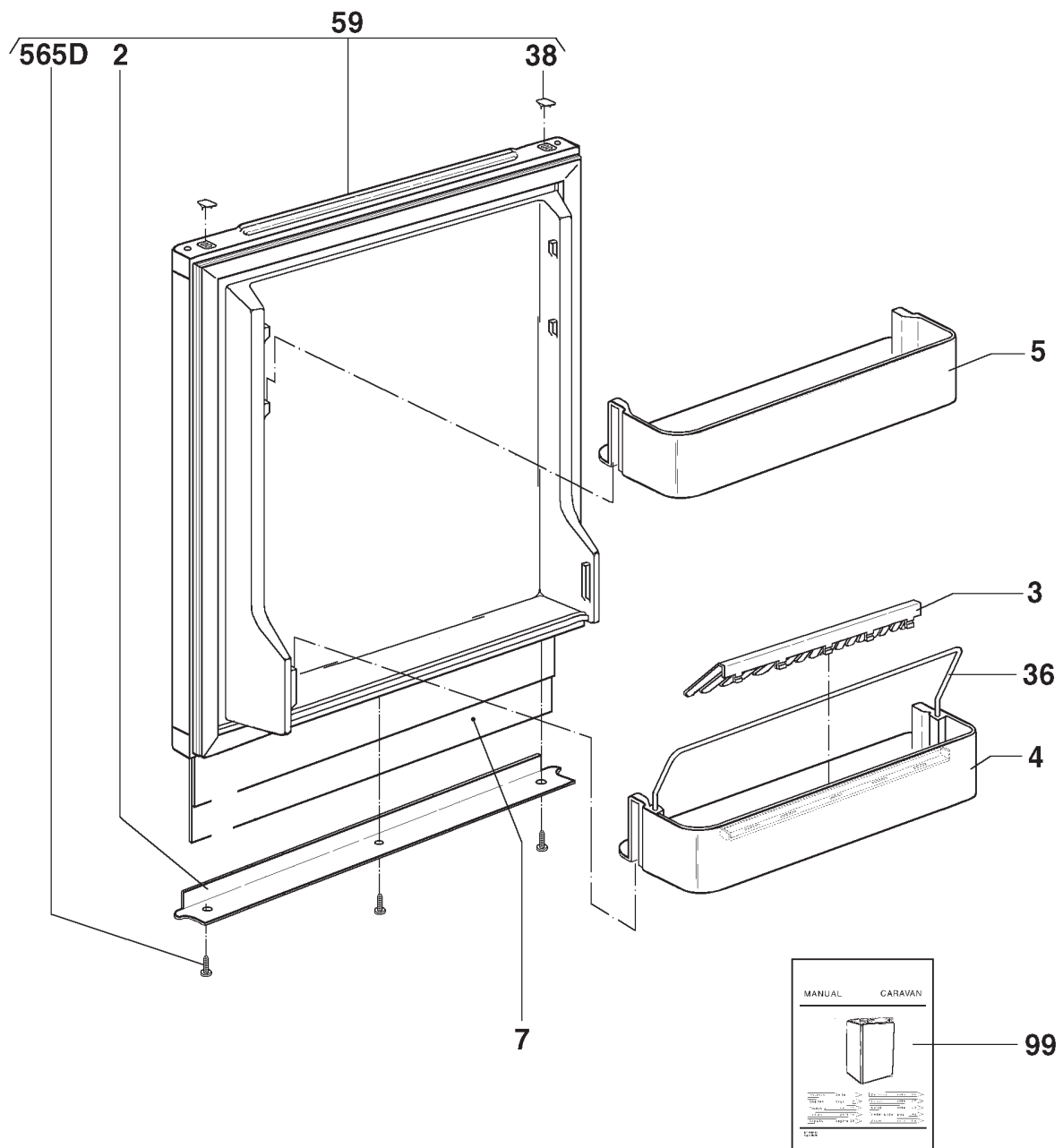
Model RM 5310

Technical features

Width	486 mm
Height	618 mm
Length	474 mm
Weight	20 kg

Fridge thermostat

Max settings	
Cut-in / cut-out	-4,0 +/-1,0 // -10,0 +/-1,0 °C
Warm position	
Cut-in / cut-out	6,0 +/-2,2 // 1,5 +/-2,5 °C
Capillary length	1500 mm

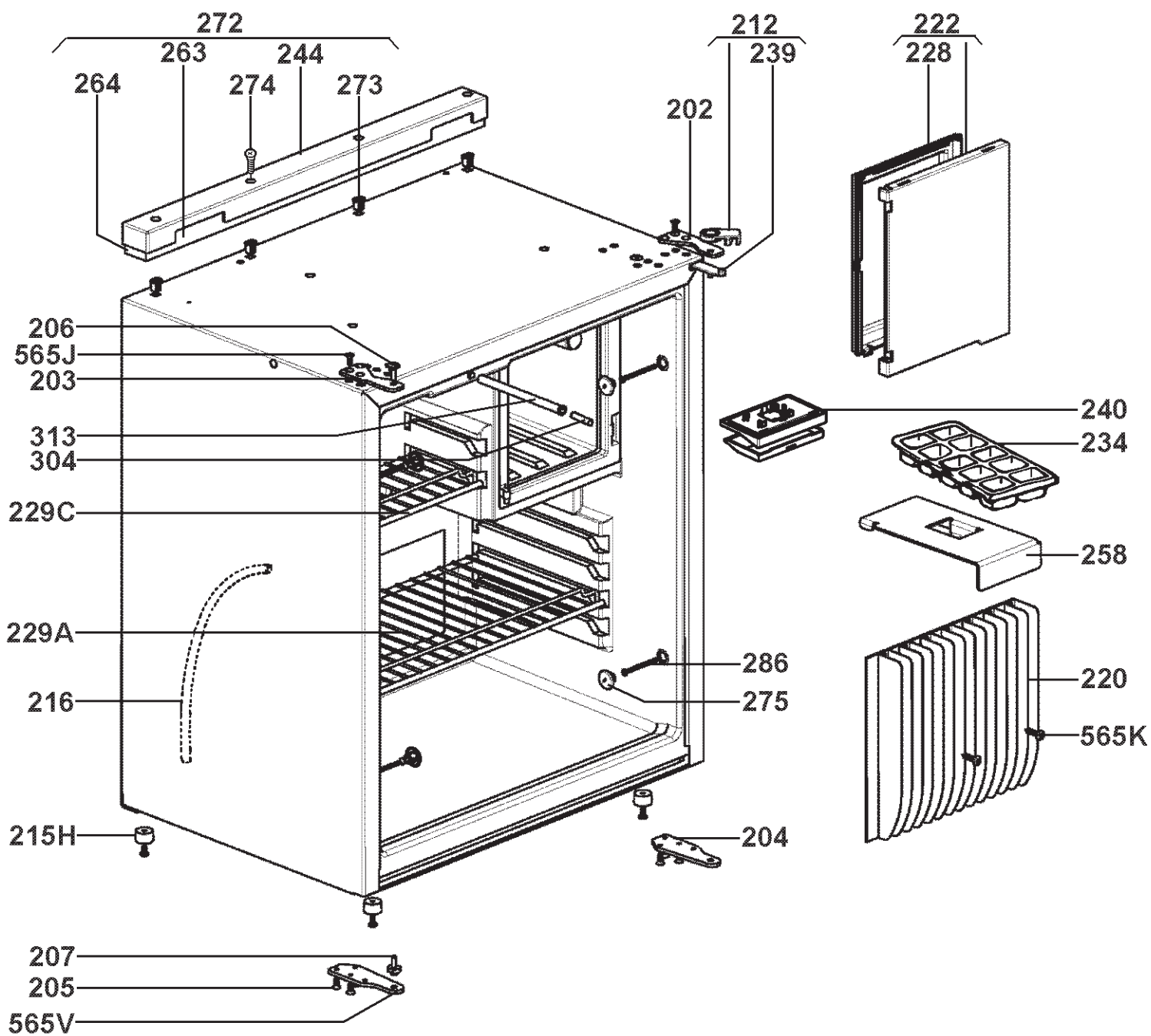


Nur die im Text aufgeführten Ersatzteile sind tatsächlich im Produkt!
Only the spare parts which are listed, are really in the product!

(PRM5310T01)

Matrix	PNC	ELC	ProdDate	Model
A	921070743	00	20111108	RM5310
B	921070745	00	20110926	RM5310
C	921070747	00	20111108	RM5310
D	921070749	00	20111108	RM5310

Pos	Part No.	Matrix	Description
002	2951240189	A B - -	Cover ledge, silver-grey
002	2951240163	- - C D	Cover ledge, black/grey
003	2951237029	A B C D	Bottle-retainer, blue, L=300 mm
004	2951238167	A B C D	Étagère, bottles, blue, L=384mm
005	2951239066	A B C D	Étagère, blue, L=384mm
007	2951295019	A B C D	Decoration plate, laminated sheet, silver, 3,2x534x453, 5mm
036	2951875000	A B C D	Fixing clamp, bottles, silver, L=371
038	2951297080	A B - -	Cover, upper, silver-grey
038	2951297072	- - C D	Cover, upper, black/grey
059	2890306117	A B - -	Door, complete, service, 486x552mm
059	2890306109	- - C D	Door, complete, service, 486x552mm
099	8212690906	A - - -	User manual, DE/EN/NL/FR/IT
099	8212690955	A - - -	User manual, installation, DE/EN/NL/FR/IT
099	8212690997	- B C -	Installation, RM 53xx, AUSTRALIA
099	8212690948	- B C D	User manual, RM 53xx, AUSTRALIA
565D	7296279016	A B C D	Countersunk screw, C 3, 5x9, 5



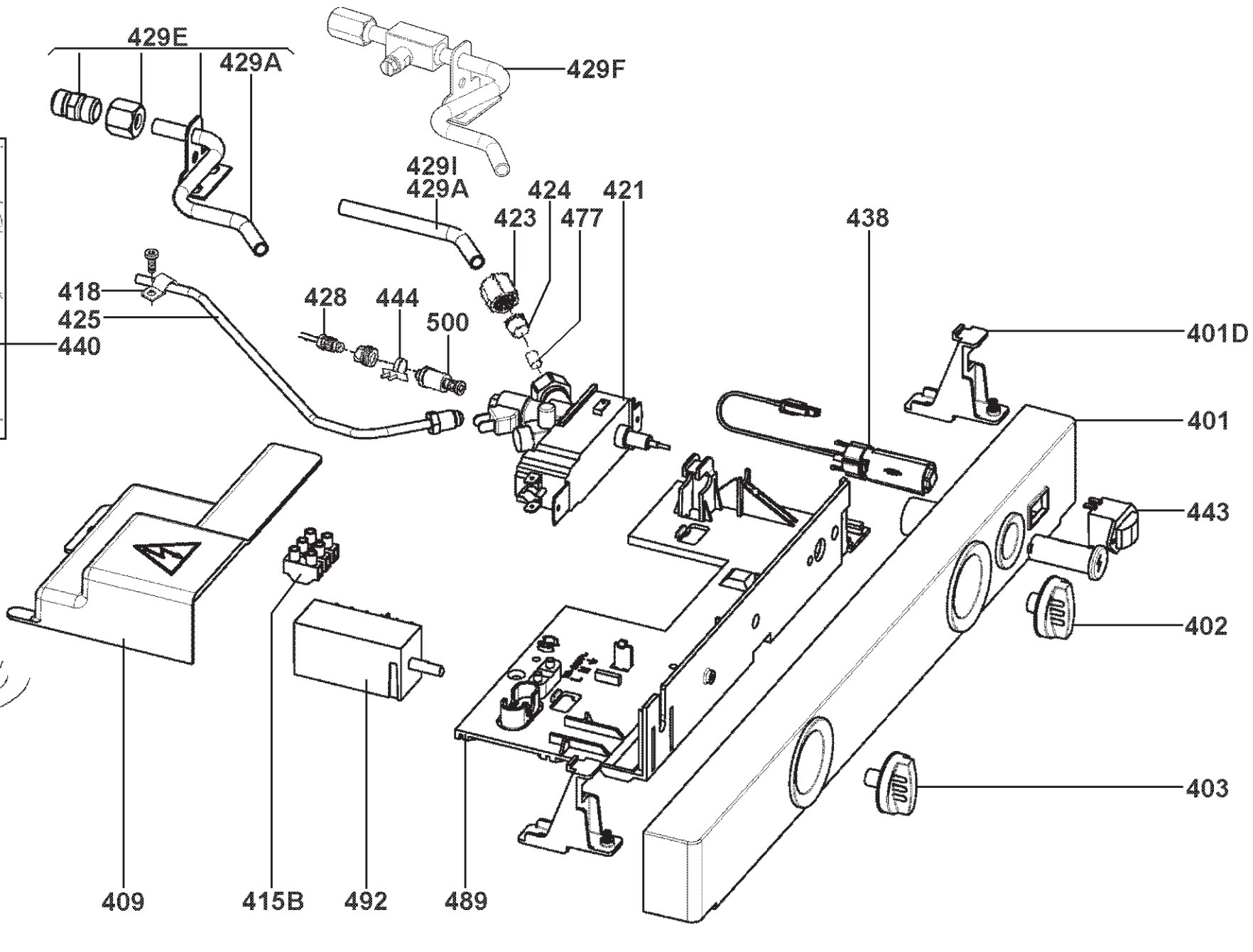
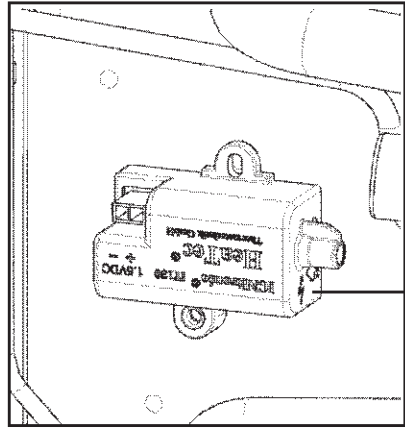
Nur die im Text aufgeführten Ersatzteile sind tatsächlich im Produkt
 Only the spare parts which are listed are really in the product

(PRM5310G01)

Matrix	PNC	ELC	ProdDate	Model
A	921070743	00	20111108	RM5310
B	921070745	00	20110926	RM5310
C	921070747	00	20111108	RM5310
D	921070749	00	20111108	RM5310

Pos	Part No.	Matrix	Description
202	2951246400	A B C D	Hinge, upper right, chrome plated
203	2951247408	A B C D	Hinge, upper left, chrome plated
204	2951248000	A B C D	Hinge, lower right, chrome plated
205	2951249008	A B C D	Hinge, lower left, chrome plated
206	2923005009	A B C D	Bolt, hinge, chrome plated
207	2926265006	A B C D	Bolt, hinge, chrome plated
212	2952140081	A B - -	Door lock, complete, silver-grey
212	2952140073	- - C D	Door lock, complete, black/grey, RAL 7021
215H	2926201027	A B C D	Foot, complete, black, D=18x11mm
216	2926441227	A B C D	Drain hose, L=265mm
220	2412948404	A B C D	Rear-evaporator, fridge
222	2951280532	A B C D	Freezer flap door, complete
228	2926152006	A B C D	Gasket, evaporator flap, light grey
229A	2951281258	A B C D	Grating, bottom, zinc-plated, D=6/2, 5x178x418mm
229C	2951282256	A B C D	Grating, upper, zinc-plated, D=6/2, 5x102x236mm
234	2951132006	A B C D	Ice tray, PLASTIC
239	2952139083	A B - -	Support, door lock, silver-grey
239	2952139075	- - C D	Support, door lock, black/grey
240	2951641444	A B C D	Lighting, led, complete
258	2951979000	A B C D	Ice tray support
275	2951221056	A B C D	Cover cap, S0510R80B
286	2926544004	A B C D	Bolt, Spax, 4x17
304	2951380506	A B C D	Sensor, for, lighting, L=300mm
313	2951379219	A B C D	Sheath, sensor, black, L=116mm
565J	7296342012	A B C D	Screw, ST4, 2x13 FZ
565K	2951230008	A B C D	Lens screw, Torx B4, 8x19
565V	2924417021	A B C D	Countersunk screw, C3, 9x13

Rückwand Backplate

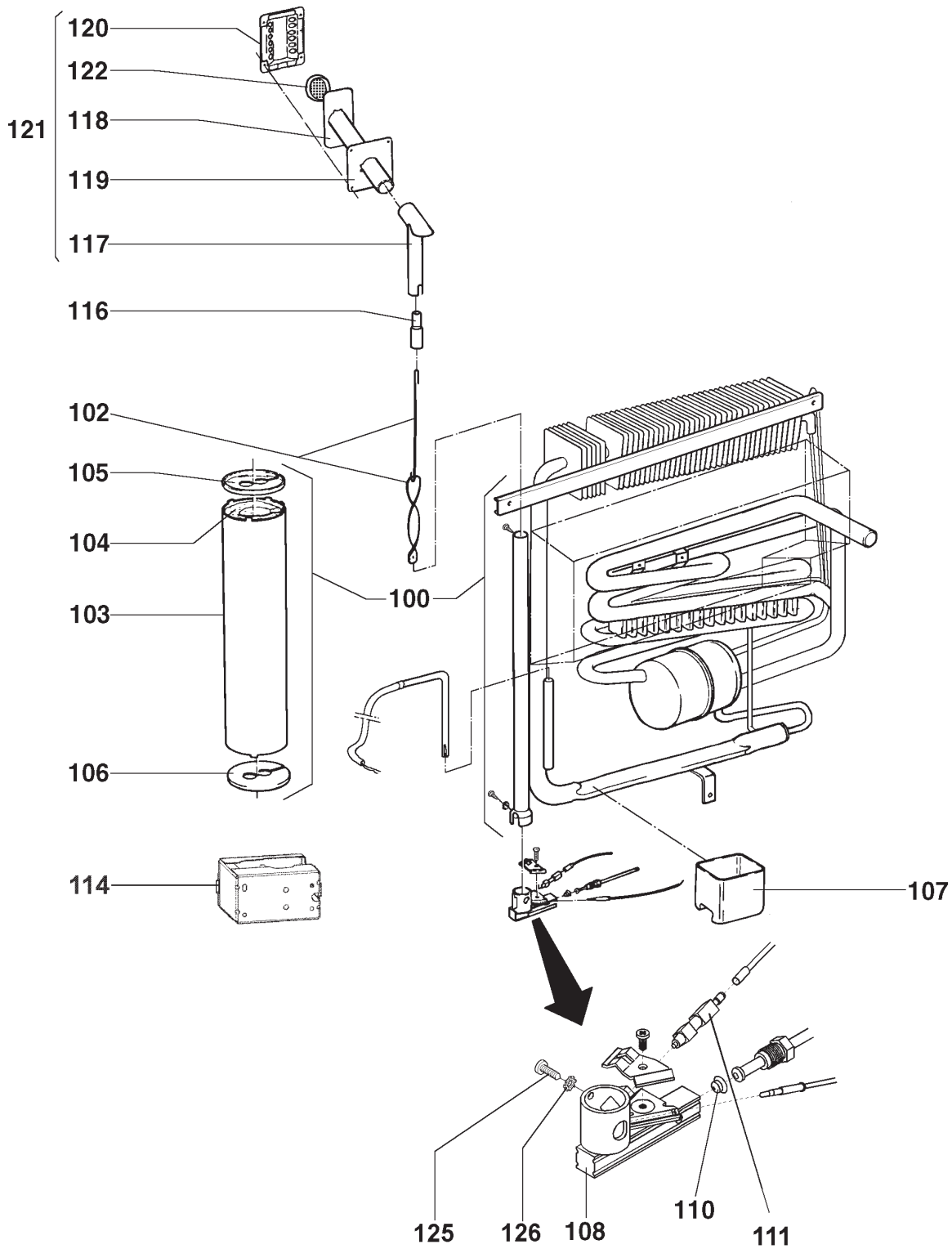


Nur die im Text aufgeführten Ersatzteile sind tatsächlich im Produkt
 Only the spare parts which are listed are really in the product

(PRM5310AR1)

Matrix	PNC	ELC	ProdDate	Model
A	921070743	00	20111108	RM5310
B	921070745	00	20110926	RM5310
C	921070747	00	20111108	RM5310
D	921070749	00	20111108	RM5310

Pos	Part No.	Matrix	Description
401	2890244011	A B - -	Control panel,complete,silver-grey,DOM
401	2890244029	- - C D	Control panel,complete,black/grey,DOM
401D	2413193000	A B C D	Retainer,Control panel
402	2413383205	A B - -	Turning knob,thermostat,silver-grey
402	2413383213	- - C D	Turning knob,gas thermostat,black/grey
403	2413382207	A B - -	Turning knob,selector switch,silver-grey
403	2413382215	- - C D	Turning knob,selector switch,black/grey
409	2412093201	A B C D	Cover,electric,black
415B	2413255015	A B C D	Terminal board,3-pol, 4mm ²
416E	2413255114	A B C D	Terminal board,5-pol, 6mm ²
418	2935451001	A B C D	Fixing clamp,1x5
421	2412190205	A B C D	Mountings,compact,gas,AC (elektrik) V85
423	2923189001	A B C D	Union nut,M15x1
424	2923190009	A B C D	Double cone ring,D=8,1
425	2927964318	A B C D	Gas inlet pipe,complete,d=4,75/0,7x1276mm
428	2923435321	A B C D	Thermo element,L=1400mm
429F	2412300986	A B C D	Gas connection,complete,AUSTRALIA
438	2890190016	A B C D	Push button,for,igniter
440	2890190107	A B C D	Igniter,for,Battery
442A	2927880142	A B C D	Ignition cable,white,L=560mm
443	2923499210	A B C D	Dial,gas
444	2952985006	A B C D	Adaptor,insulator
446	2413228012	A B C D	Heater,235V/125W
446	2923420208	A B C D	Heater,service,12V/120W
477	2923191007	A B C D	Filter,for,gas connection
489	2412091908	A B C D	Instrument retainer,L=282,5mm
492	2952025217	A B C D	Selector switch,complete,service
500	2106030105	A B C D	Magnet insert,mountings,compact



Nur die im Text aufgeführten Ersatzteile sind tatsächlich im Produkt!
 Only the spare parts which are listed, are really in the product!

(PRM5310AG1)

Matrix	PNC	ELC	ProdDate	Model
A	921070743	00	20111108	RM5310
B	921070745	00	20110926	RM5310
C	921070747	00	20111108	RM5310
D	921070749	00	20111108	RM5310

Pos	Part No.	Matrix	Description
100	2890305309	A B C D	Cooling unit,service,125W
102	2926212602	A B C D	Helix,complete
103	2924082205	A B C D	Mantle,cooker
104	2926680139	A B C D	Cooker insulation
105	2924979004	A B C D	Bezel,cooker,mantle
106	2924089119	A B C D	Cover,bottom
107	2926019304	A B C D	Evaporation tray,nature
108	2923430520	A B C D	Burner,without,nozzle,Service
110	2922033069	A B C D	Nozzle,gas burner,KZ 43
111	2923626002	A B C D	Spark plug,Fa. Junkers
114	2412559664	A B C D	Kit,burner housing,service
116	2935491007	A B C D	Adaptor,L=68
117	2952444400	A B C D	T-piece,complete,L=75mm
118	2935652004	A B C D	Exhaust pipe,complete,L=195mm
119	2924749001	A B C D	Fixing,plate
120	2951055009	A B C D	Canopy,beige
121	2935549002	A B C D	Chimney,complete,beige,L=195/75mm
122	2935667002	A B C D	Cover cap,nature
125	2952435408	A B C D	Bolt,M4x6
126	2926559036	A B C D	Lock washer,A 4,3