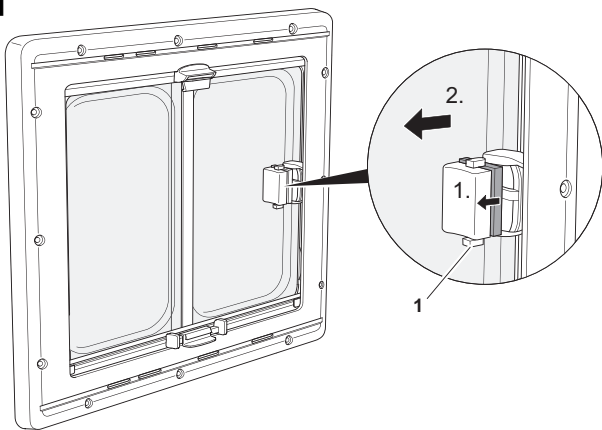
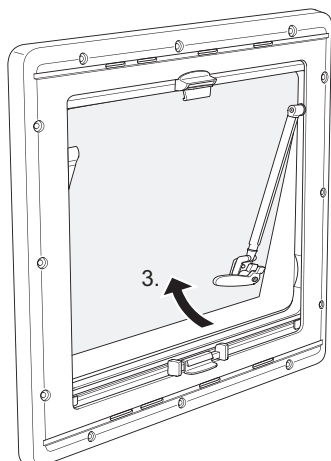
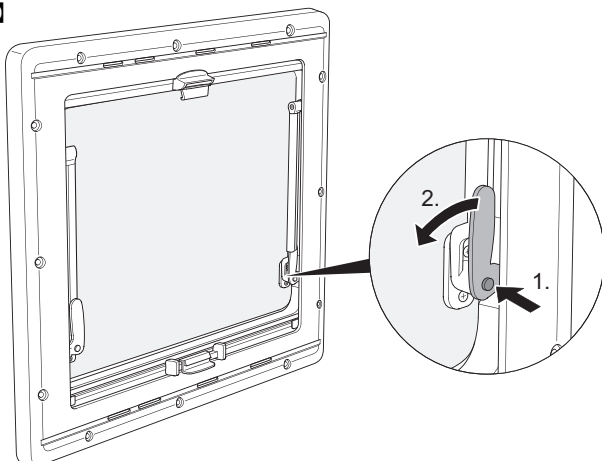
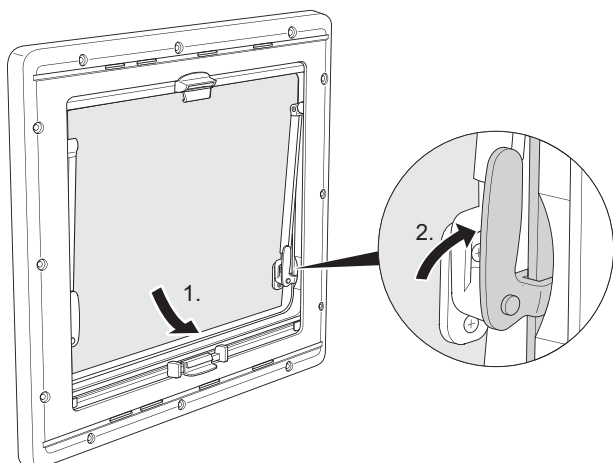
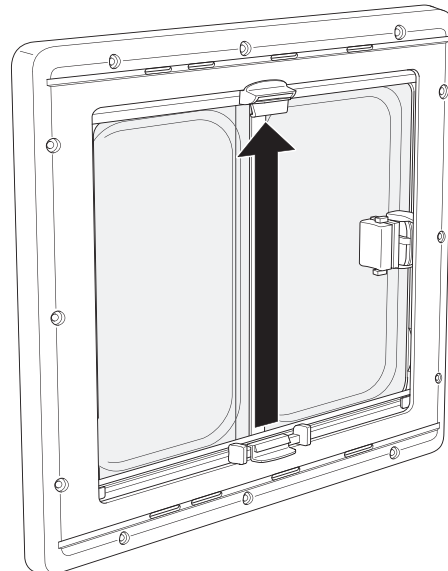
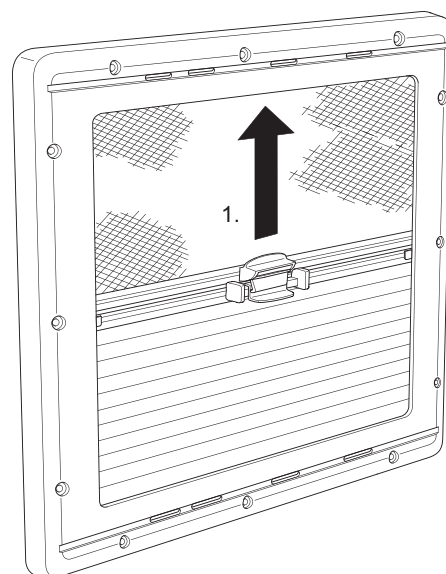
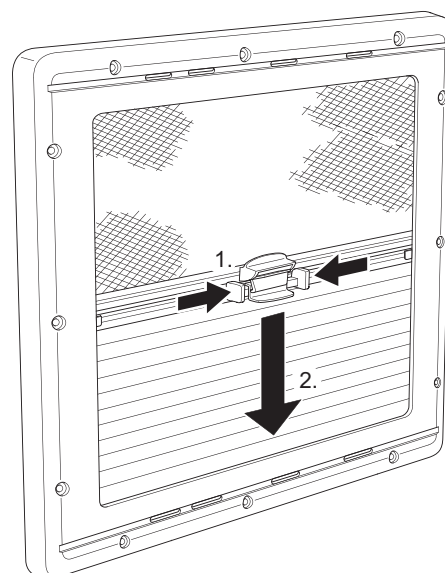


1 9**10****11****1 12****13****14**

Dometic WAECO International GmbH
 Hollefeldstrasse 63
 D-48282 Emsdetten

www.dometic-waeco.com

7 Using S4

7.1 Using the sliding window (fig. 9)

Opening the sliding window

- Loosen the safety bolts (1) first, if necessary.
- Press the locking pivot on the handle and push the window into the required position.

Closing the sliding window

- Close the window until you hear the lock click.

7.2 Using the vent window (fig. 10)

Opening the vent window

- Press the locking button on all the rotary bolts and turn by 90°.
- Tilt the window pane outwards until it reaches the required opening angle.
- **Continuous ventilation:** Attach the pane as shown in fig. 11.

Closing the vent window

- Pull the pane back at one of the bottom rotary bolts.
Here you must overcome the tension of the vent.
- Turn the rotary bolts by 90°.
When in a closed position, the outer lobe of the rotary bolt must be positioned inside the frame.

7.3 Opening and closing roller blinds



NOTICE! Risk of damage due to a build-up of heat between the roller blind and the window.

In strong sunlight, only close the blackout roller blind two thirds of the way.

- Hold the blackout roller blind at the grip and pull it to the flyscreen (fig. **12**).
- Click the blackout roller blind onto the flyscreen.
- Select the required position by moving the two latched-roller blinds at the same time and allow to latch into place (fig. **13**).

Opening the roller blind

- Move the roller blind so that the blackout roller blind is closed.
- Separate the roller blinds by pressing the pivot on the flyscreen.
- Guide the flyscreen back.
Do not let the roller blind spring back.
- Open the blackout roller blind by pressing together the two sliders at the side on the grip. (fig. **14**)

8 Maintaining and cleaning S4



NOTICE!

Do not use any sharp or hard objects for cleaning since they may damage the acrylic glass.

Only use cleaning agents that are approved by the manufacturer. Acrylic glass polish (item no. 9103501188), special polishing cloth (item no. 9103501190) and acrylic glass cleaning agent (item no. 9103501189) or the cleaning set (item no. 9103501201).

- Clean the roller blind with mild soap and water.
- Put talcum powder on the rubber seal.

9 Warranty

The statutory warranty period applies. If the product is defective, please contact the service partner in your country (addresses on the back on the instruction manual).

Our experts will be happy to help you and will discuss the warranty process with you in more detail.

10 Disposal

- Place the packaging material in the appropriate recycling waste bins wherever possible.



If you wish to finally dispose of the product, ask your local recycling centre or specialist dealer for details about how to do this in accordance with the applicable disposal regulations.