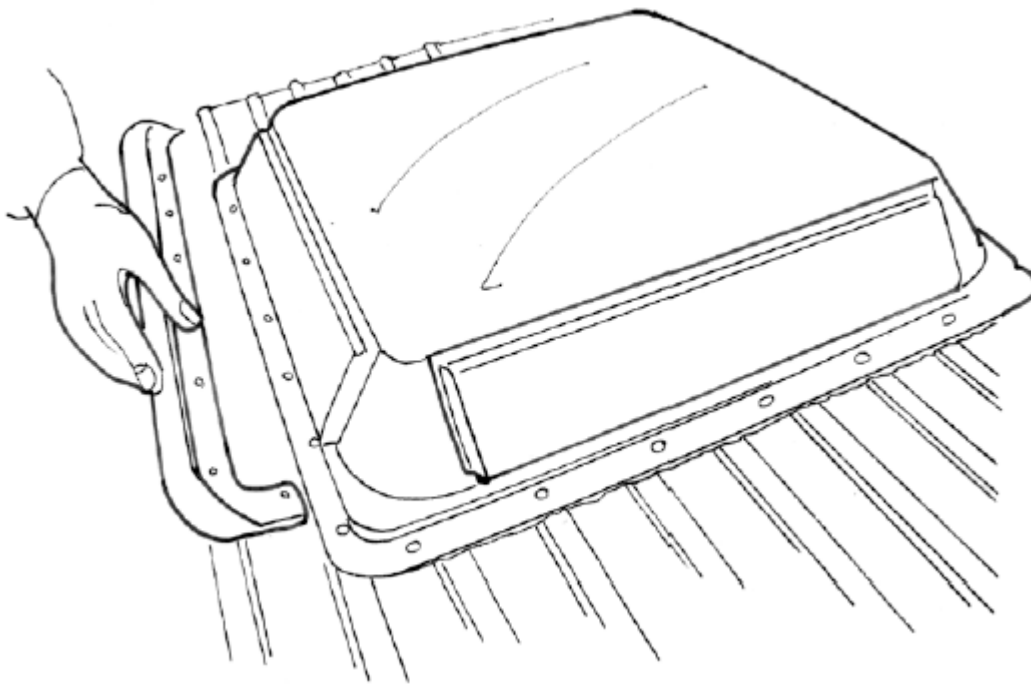


# **Camec 4 Season Hatch**

Part No.

Installation Guidelines Ver. 002- 2013



**MADE IN AUSTRALIA**

CAMEC 4 SEASONS HATCH VERSION 002- 2013

## **Components Supplied in Carton**

- Hatch\*
- Deflector\*
- 28 x self drilling Phillips head screws with washers\*

**NOTE:- ITEMS NOTED\* MUST BE USED OR WARRANTY MAY BE VOID**

## **Tools required**

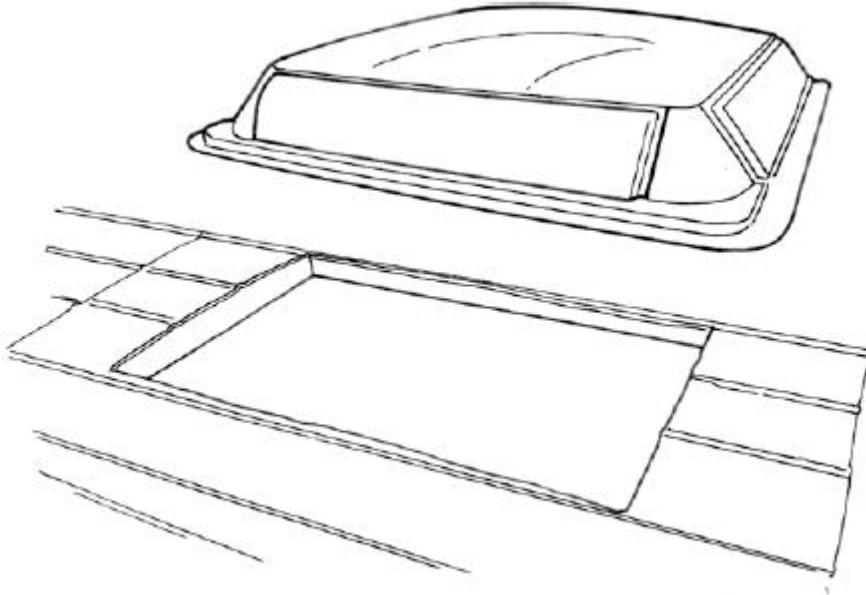
- Power drill
- Neutral Cure Silicone Sealant (Non- Acetic)
- Cleaning / Degreasing Fluid

## **The following is a list of all spare parts:**

Part no.	Description
040158	CAMEC 4SH FLYSCREEN
040159	CAMEC 4SH OPENING FLAP
040160	CAMEC 4SH WINDER

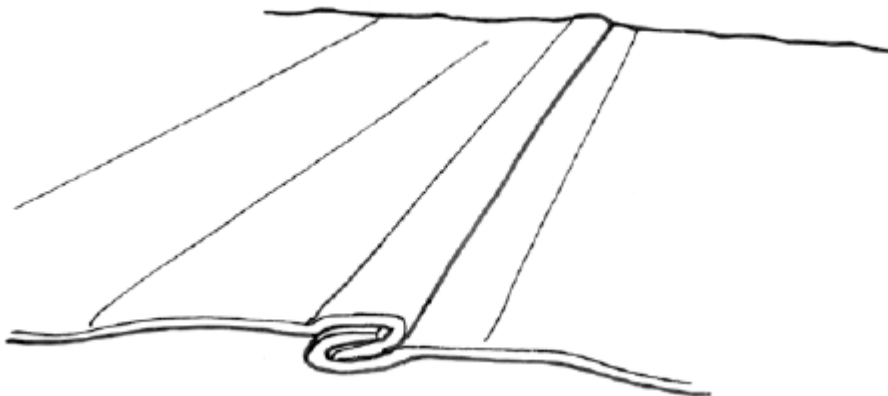
## INSTALLATION

**Step 1:** - When framing roof make provision for hatch by providing suitably placed supports to suit a 660mm x 660mm square opening +/- 2mm

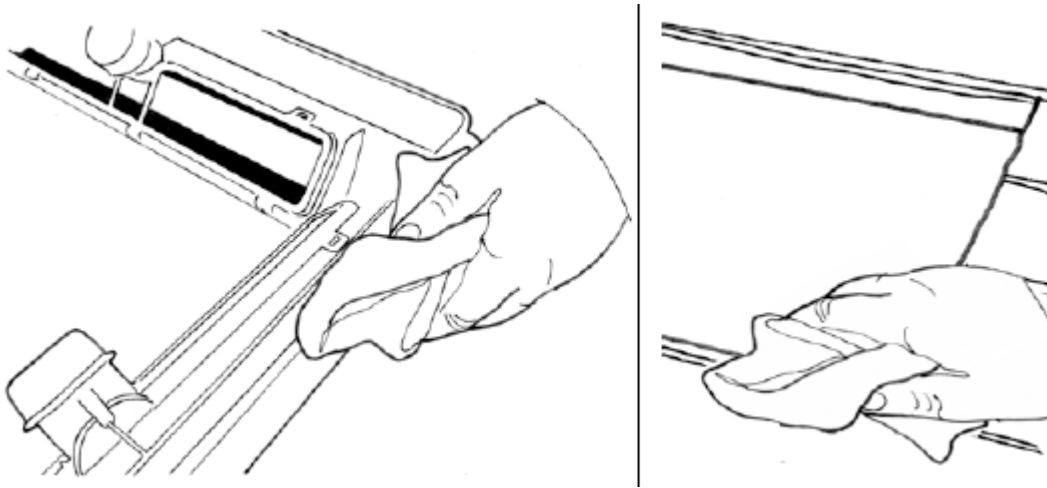


**Step 2:-** Test fit hatch into cut out area and adjust to suit.

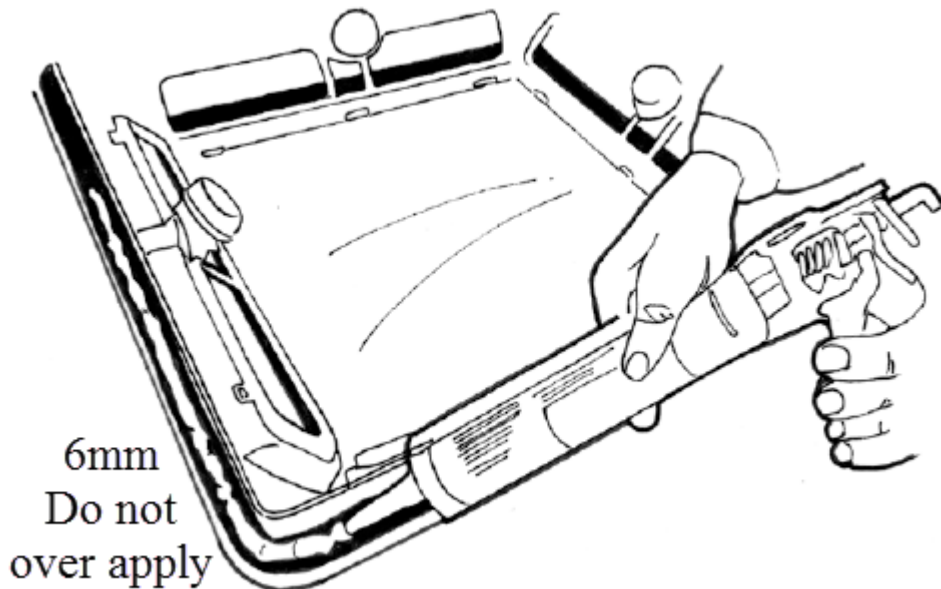
**Step 3:-** If a seam in the roof sheeting runs under the edges of the hatch be sure to seal and flatten so as to avoid water ingress



**Step 4:-** Clean roof surface approximately 50mm around the edge of the already cut 660mm square hole and around flange periphery using Isopropanol / Wax and Grease remover / Methylated Spirits or similar.

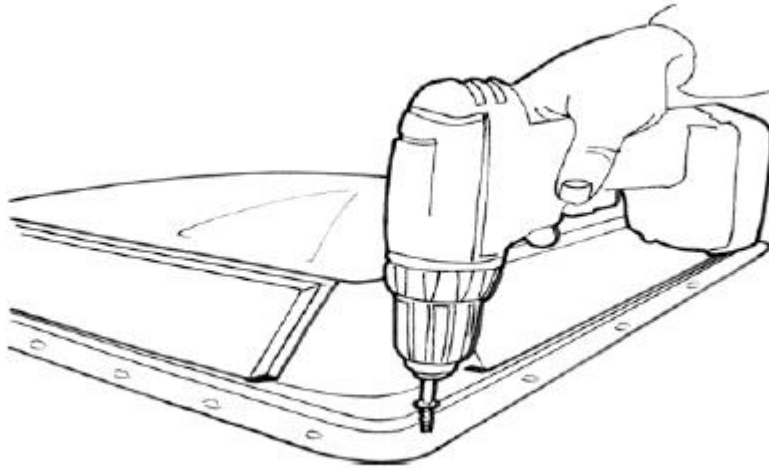


**Step 5:-** Apply a continuous bead of **Non Acetic** silicone a minimum of 6mm wide to the centre of the foam tape all the way around the hatch. **Do not over apply.**



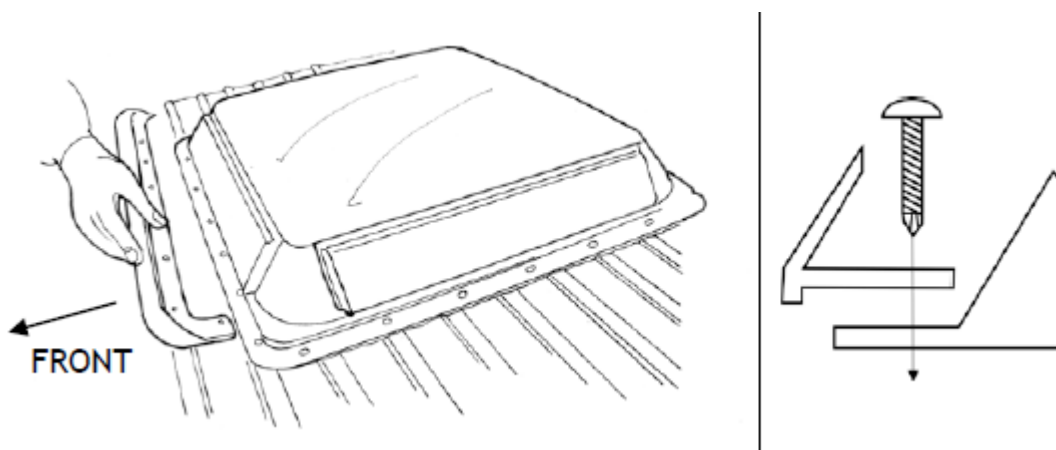
**Step 6:-** Install 1 screw in the centre of the three sides excluding the deflector side, then insert the remainder in every third hole until all are done . Use lowest torque setting and being careful not to over tighten. The ensuing gap between flange and surface should be 3mm.

Note:- torque setting may need to be adjusted to achieve best results



**Step 7:-** Apply a continuous bead of Non Acetic silicone around the perimeter of the hatch where the tape meets the aluminium.

**Step 8:-** Fit deflector to hatch (before silicone cures) along front edge (this is relative to front of vehicle) using the remaining screws



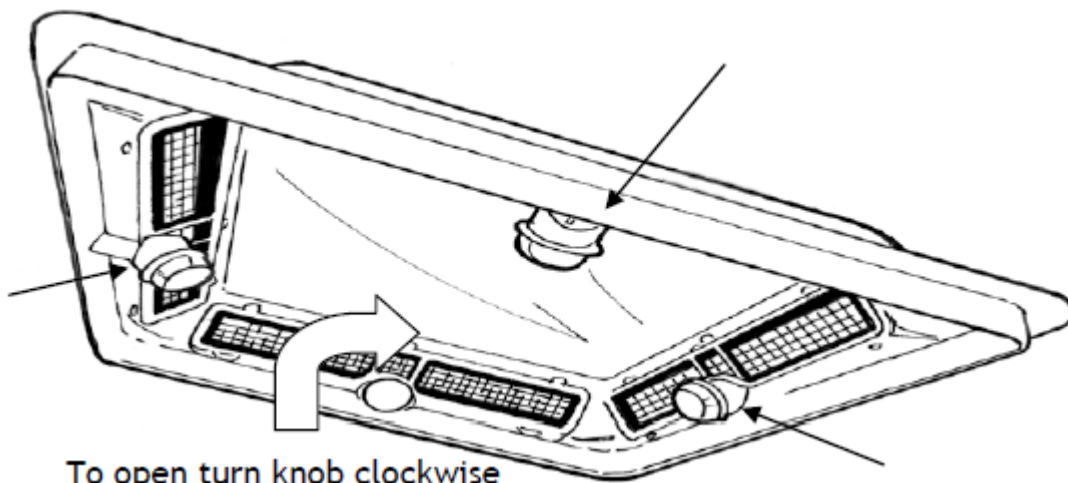
Clean away the excess silicone and allow to cure.

**WARNING: Do not over apply silicone as this may affect the aerodynamics and cause water to flow over the hatch!**

**WARNING: INSTALLATION INSTRUCTIONS MUST BE FOLLOWED OR WARRANTY MAY BE VOID.**

## **Camec 4 Season Hatch**

Operating instructions:-

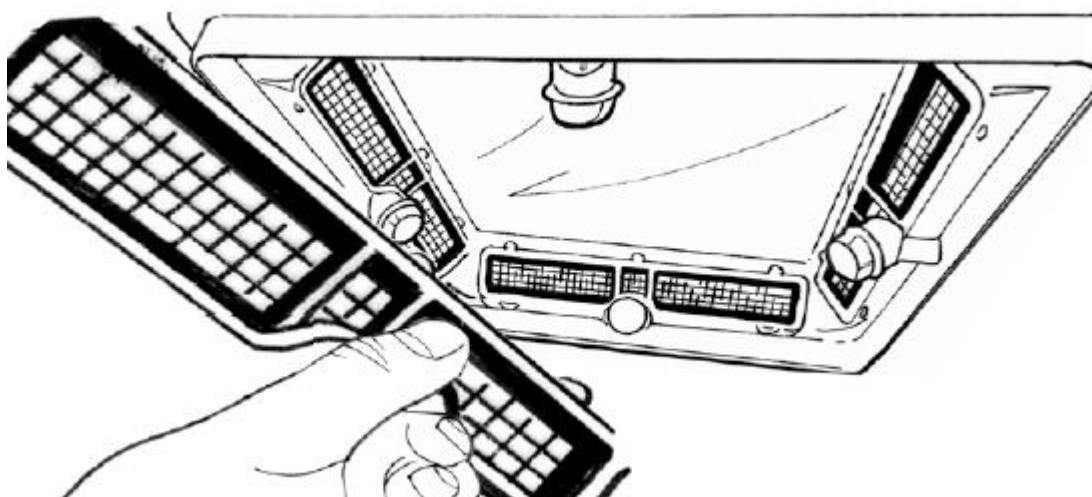


To open turn knob clockwise

- To open ventilation ports on the hatch gently twist one of the four knobs clockwise until corresponding flap opens (Anti-clockwise to close).
- If cooking with a gas appliance it is recommended that hatch flaps be left in the open position.
- Care should be taken to ensure flaps are closed before departing and driving away.

## **Camec 4 Seasons Hatch**

Removal of the Flyscreens:-



Periodic removal and cleaning of flyscreens is mandatory.  
Remove flyscreen by holding the bottom of the surround and gently pulling forward and lifting off the top tabs.

Clean the flyscreen thoroughly and replace by locating the top tabs over the bottom tabs and pushing the bottom tabs into position.