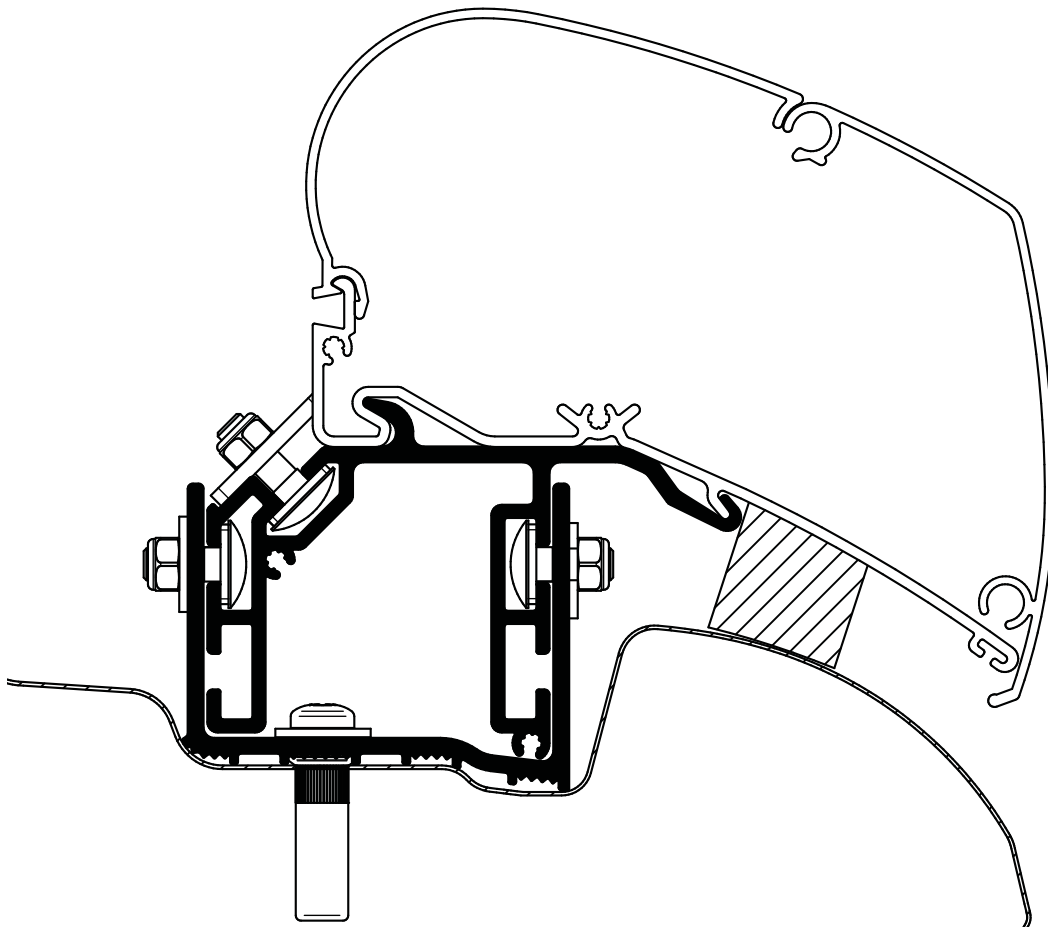
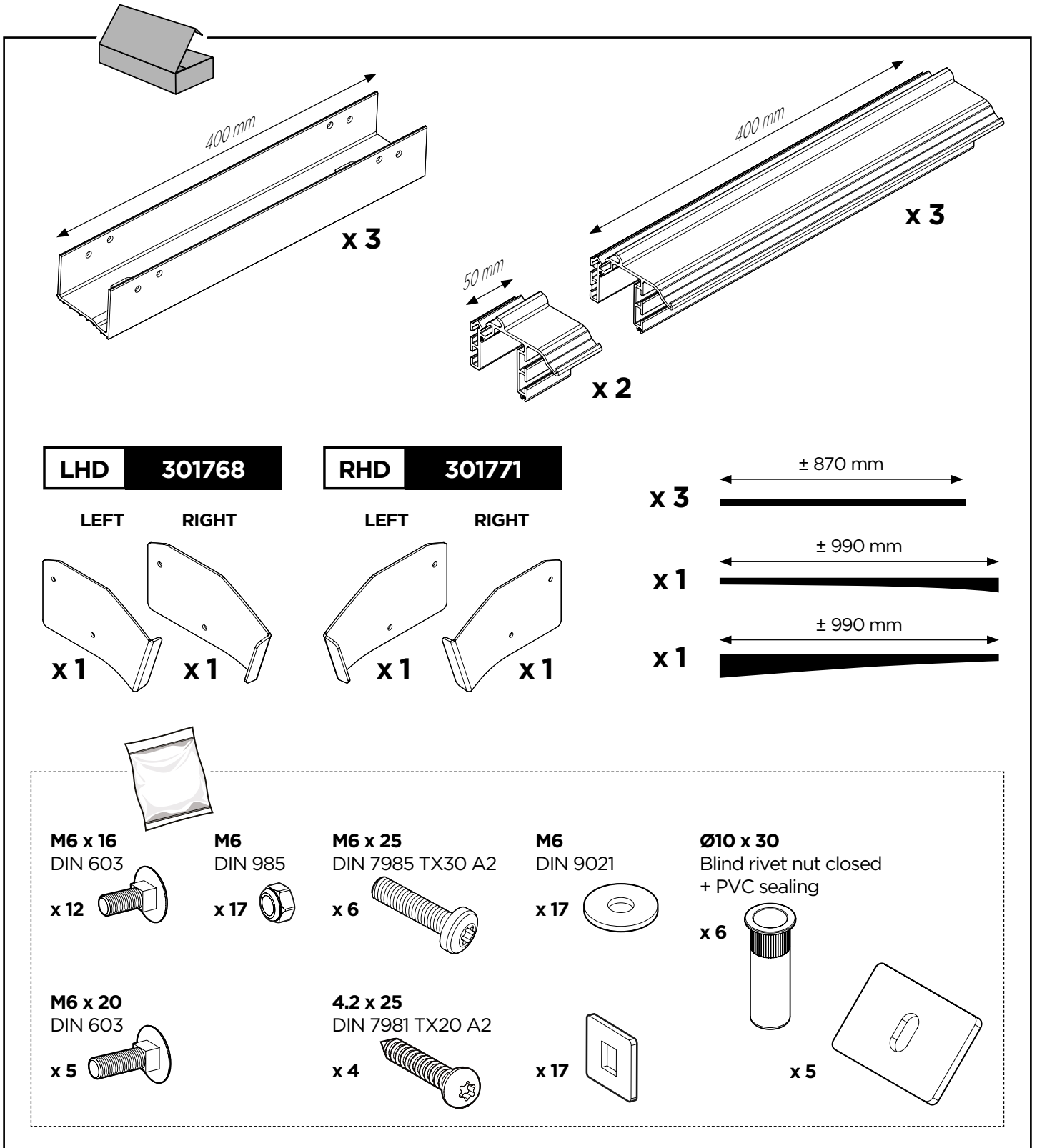
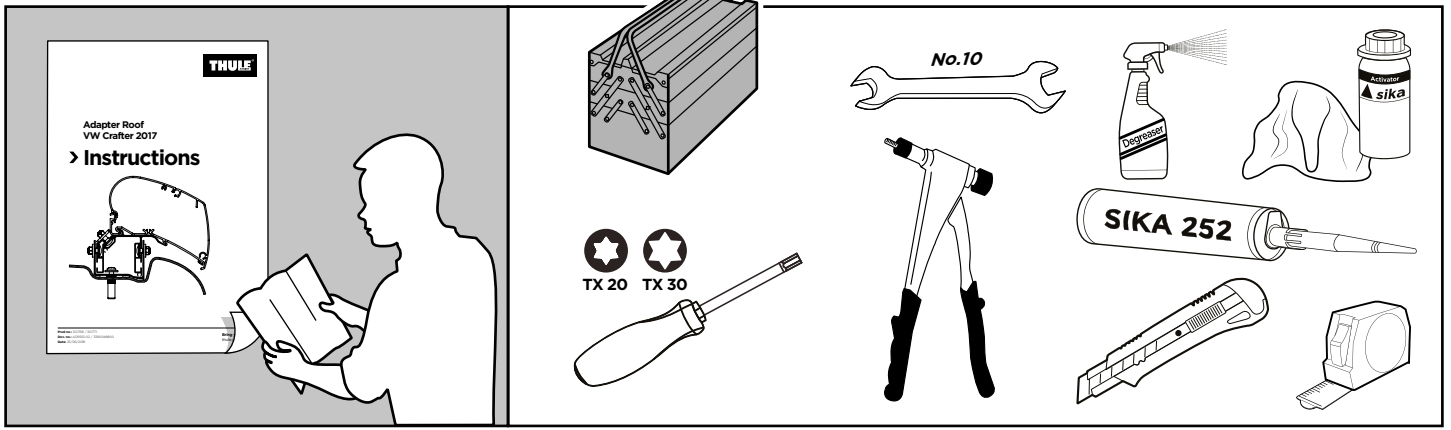


Adapter Roof VW Crafter 2017

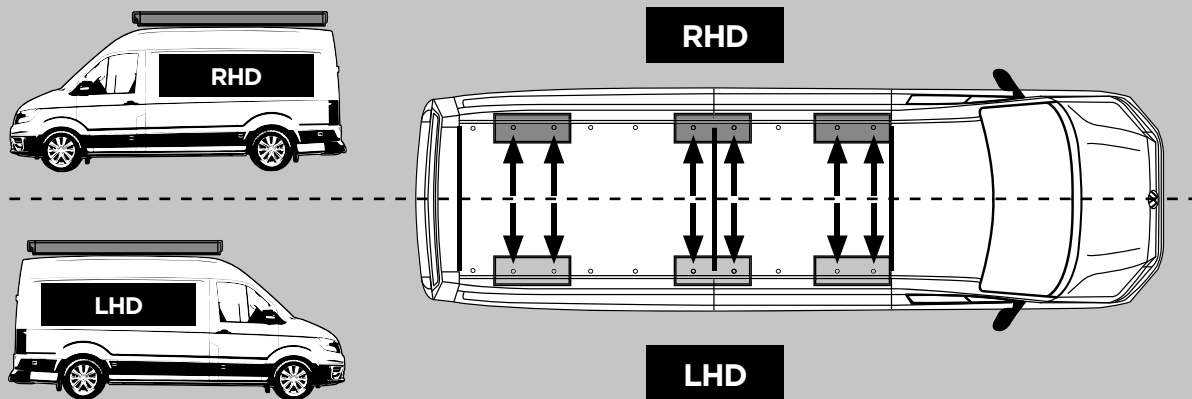
➤ Instructions





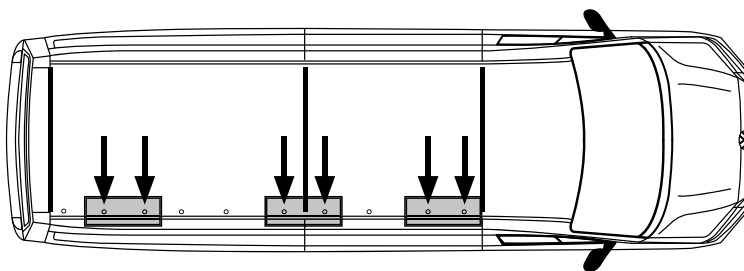
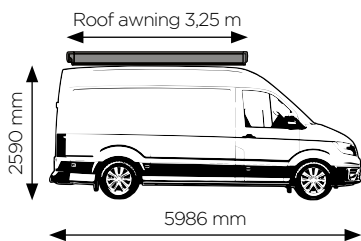
i

RIGHT HAND DRIVE (RHD) is **MIRROR** of LEFT HAND DRIVE (LHD)



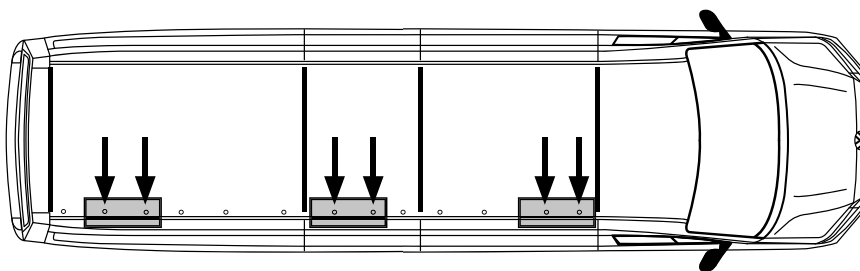
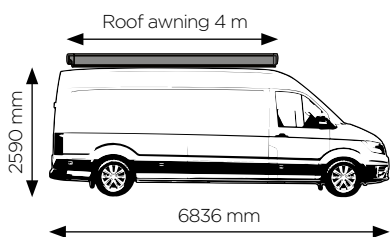
! IN THIS MANUAL **LEFT HAND DRIVE (LHD)** IS SHOWN BY **DEFAULT**

L3H3



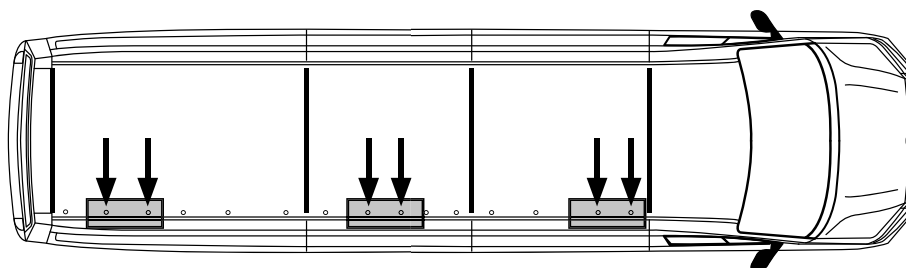
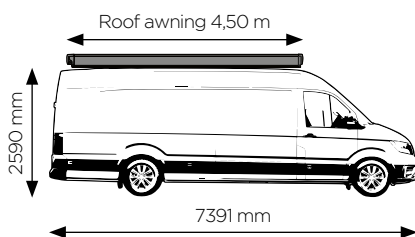
use **6/10** roof fixation points

L4H3

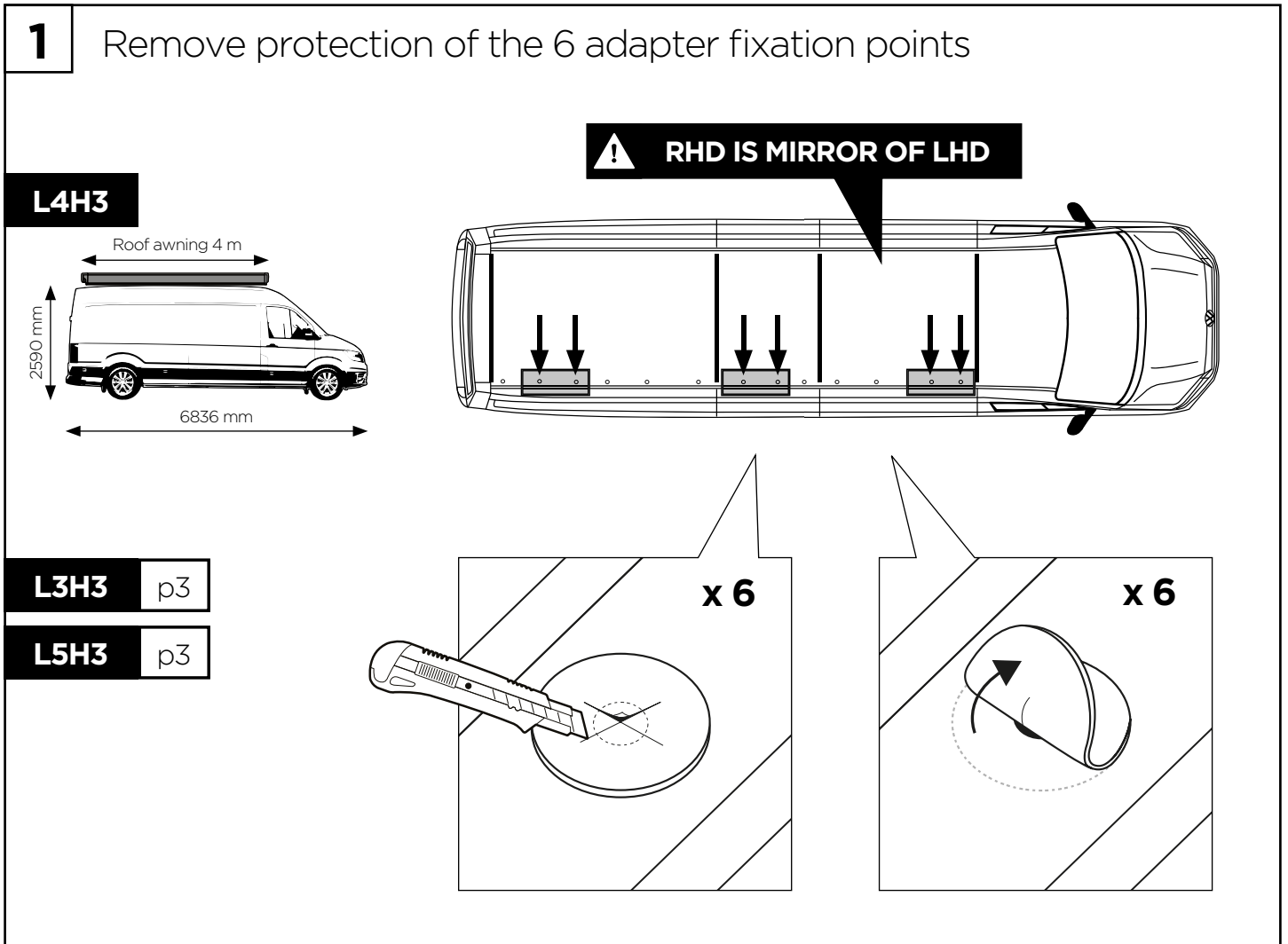
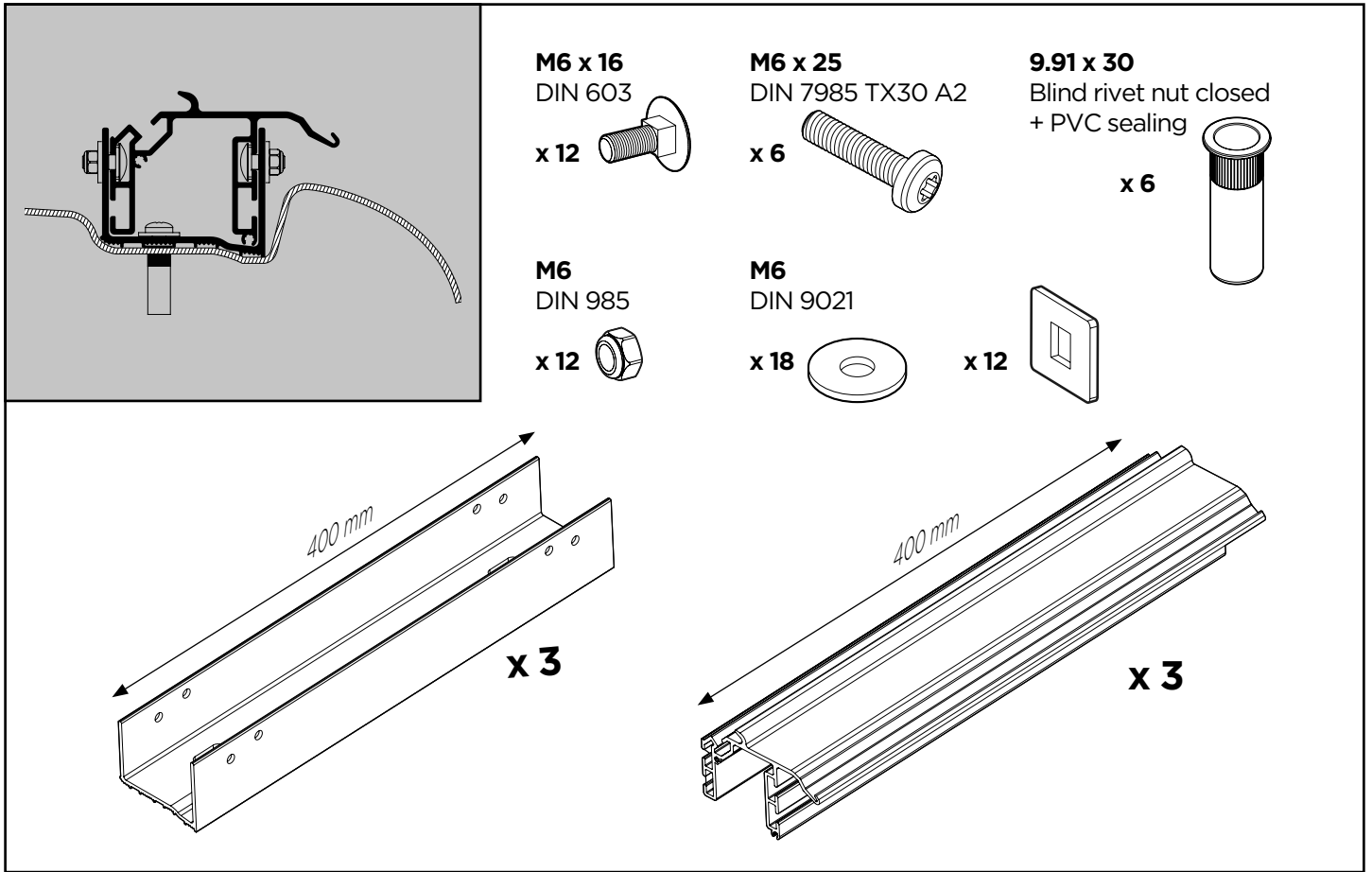


use **6/13** roof fixation points

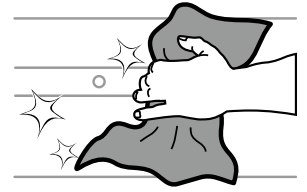
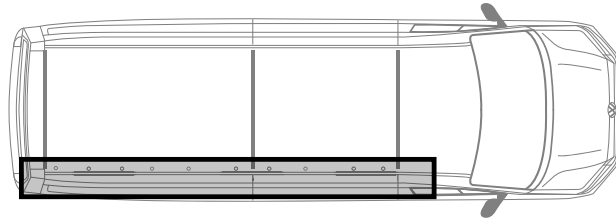
L5H3



use **6/15** roof fixation points

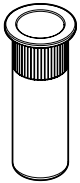


2 Degrease the roof

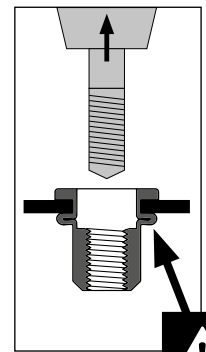
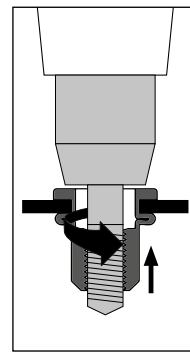
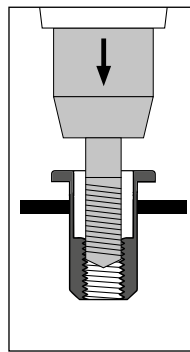
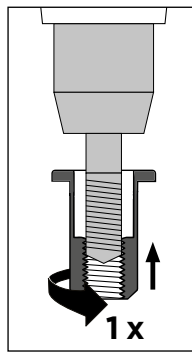


3 Assemble the blind rivet nuts

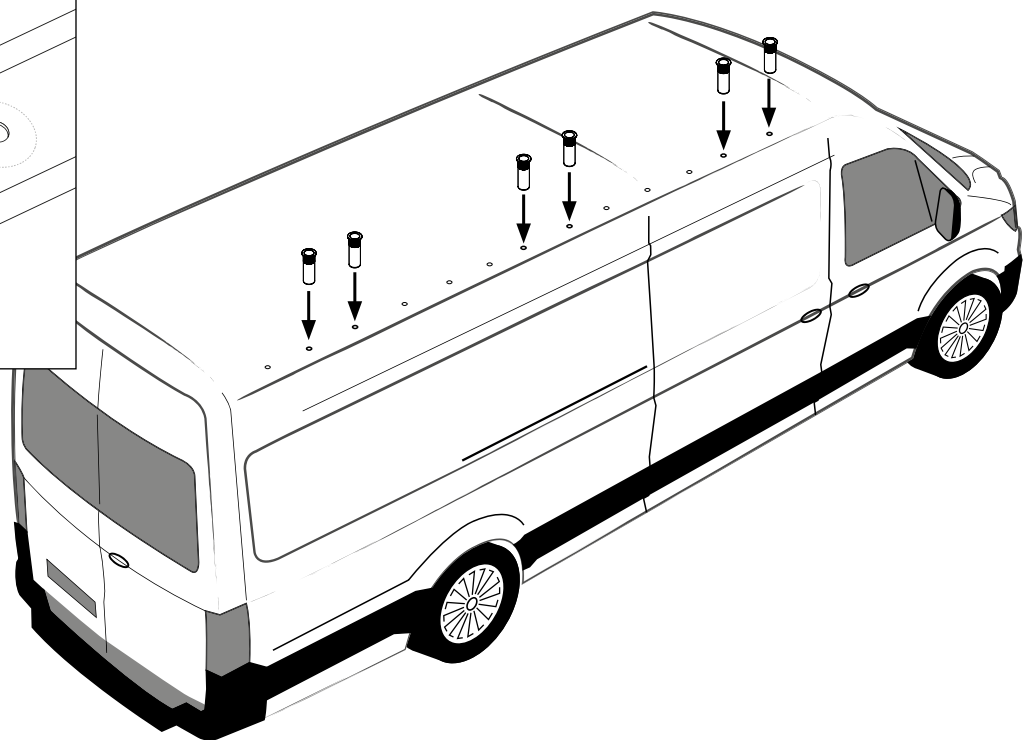
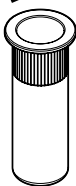
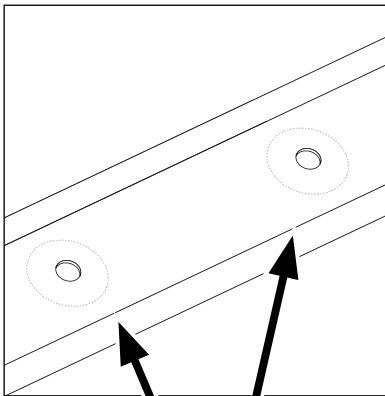
! RHD IS MIRROR OF LHD



x 6



x 3

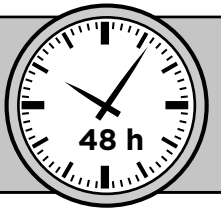




Glue / Lijmen / Verklebung:

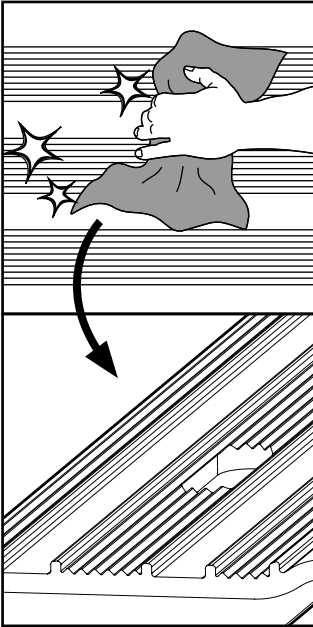
Thule recommends / beveelt aan / empfiehlt: **SIKA 252 or Terostat MS937**

Primern und Abdichtung nach Anweisung des Dichtmittelherstellers.
Voorbehandeling en afdichting volgens de voorschriften van de lijmfabrikant.
Preparation and sealing according to the prescripts of the glue supplier.

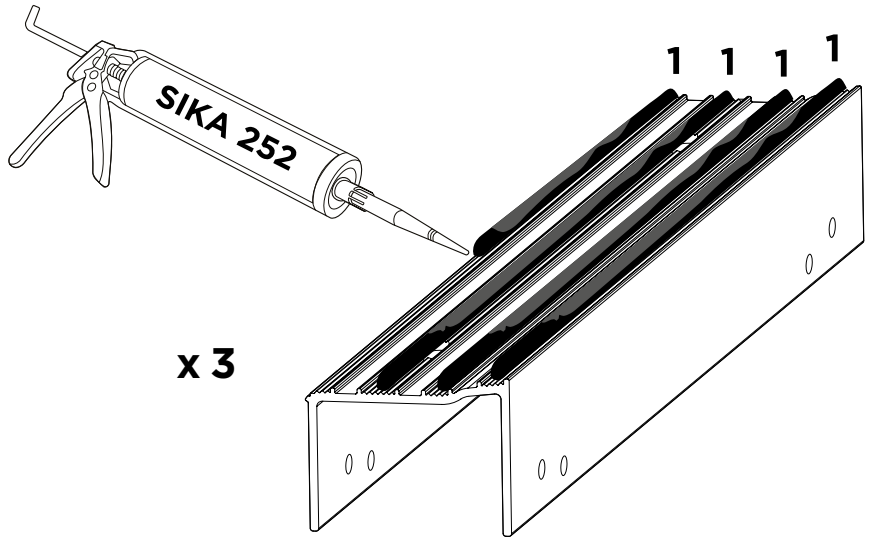


4 Gluing

A



B

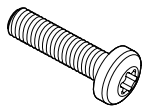


5 Mounting the base on the roof

! RHD IS MIRROR OF LHD

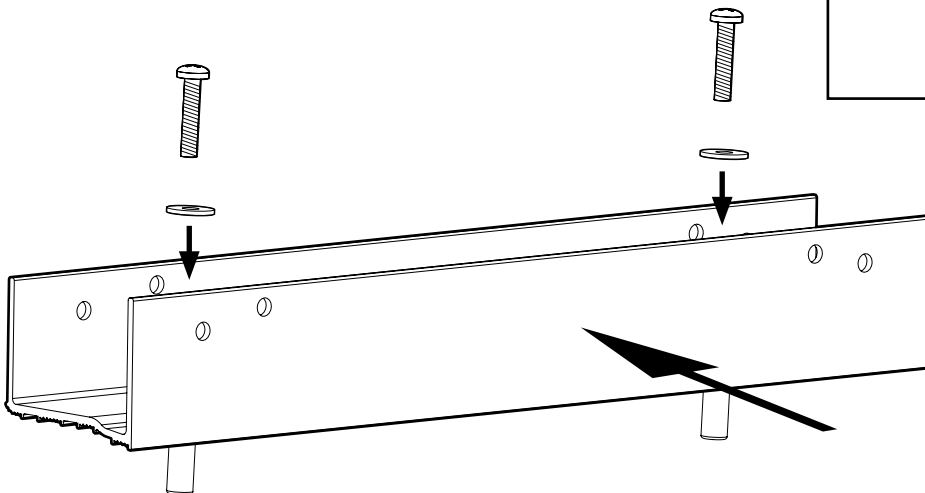
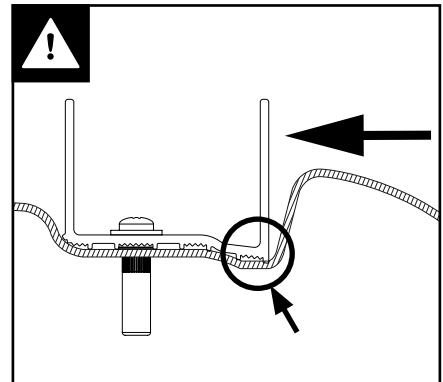
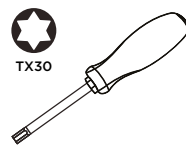
M6 x 25
DIN 7985 TX30 A2

x 6



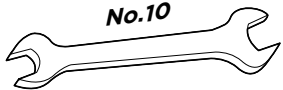
M6
DIN 9021

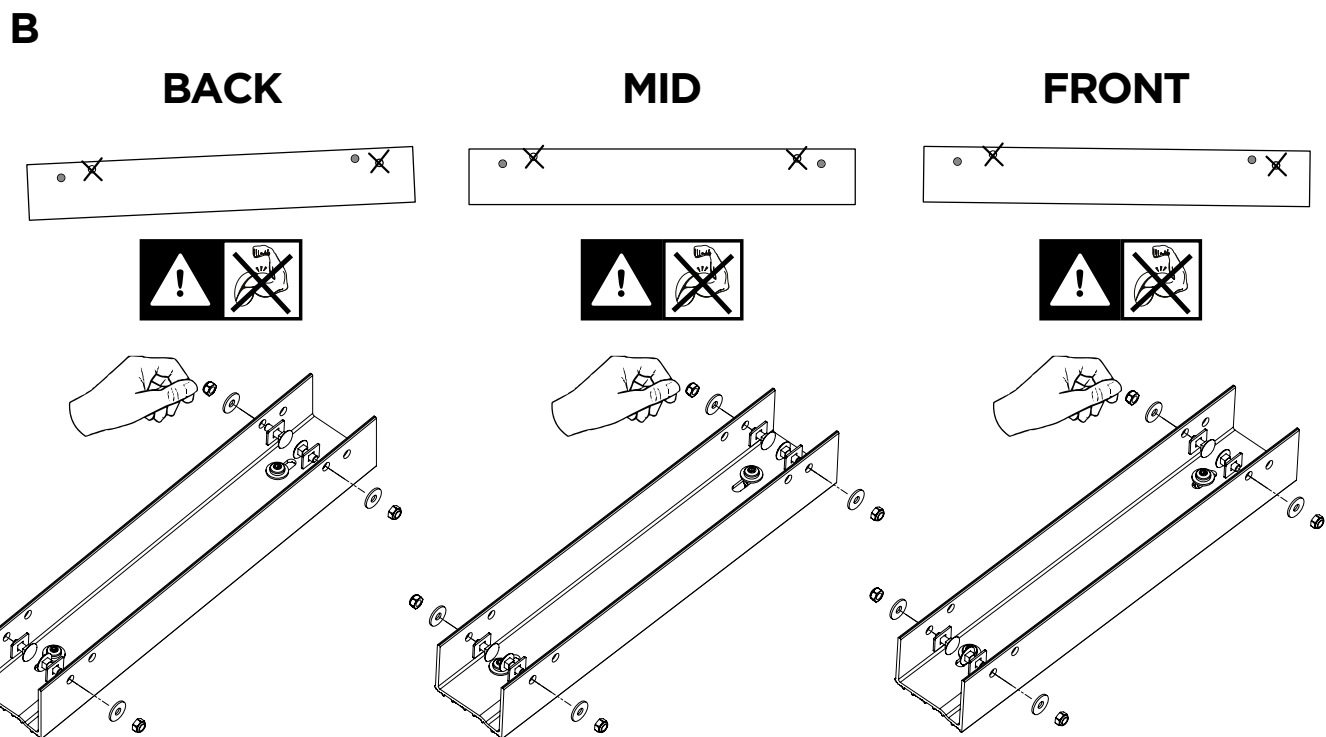
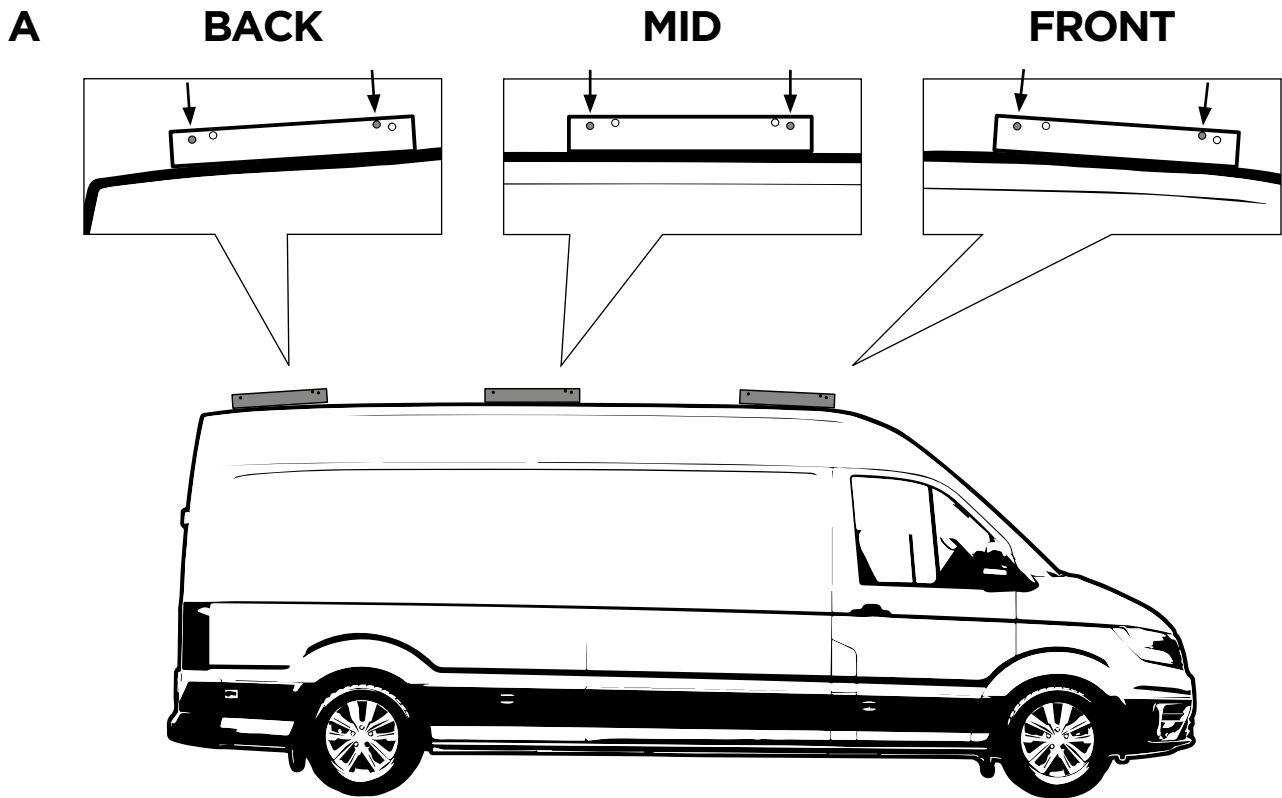
x 6



6 Mounting the adapter

! RHD IS MIRROR OF LHD

M6 x 16 DIN 603 x 12	M6 DIN 985 x 12	M6 DIN 9021 x 12	x 12	
-----------------------------------	------------------------------	-------------------------------	------	---

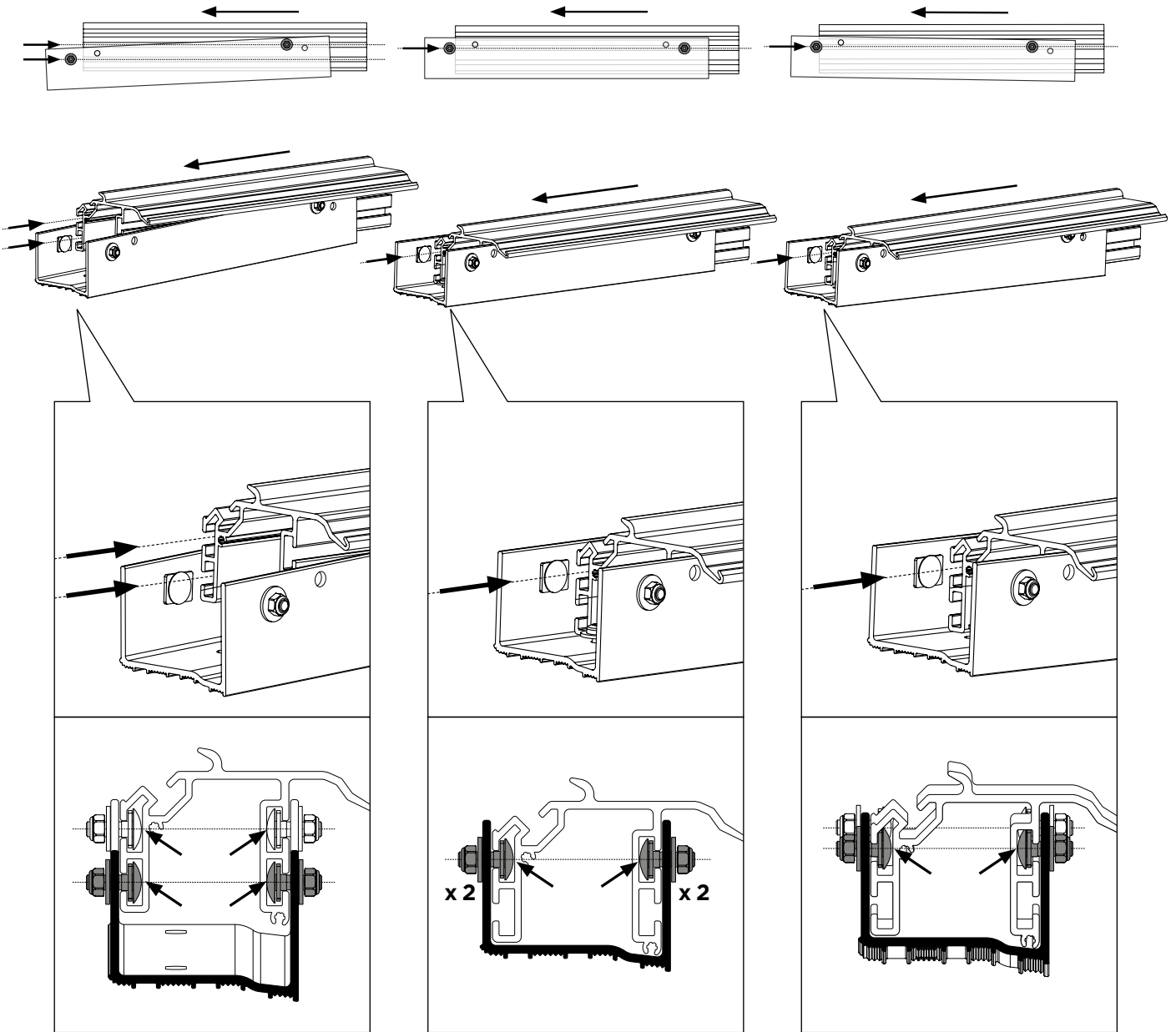


C

BACK

MID

FRONT

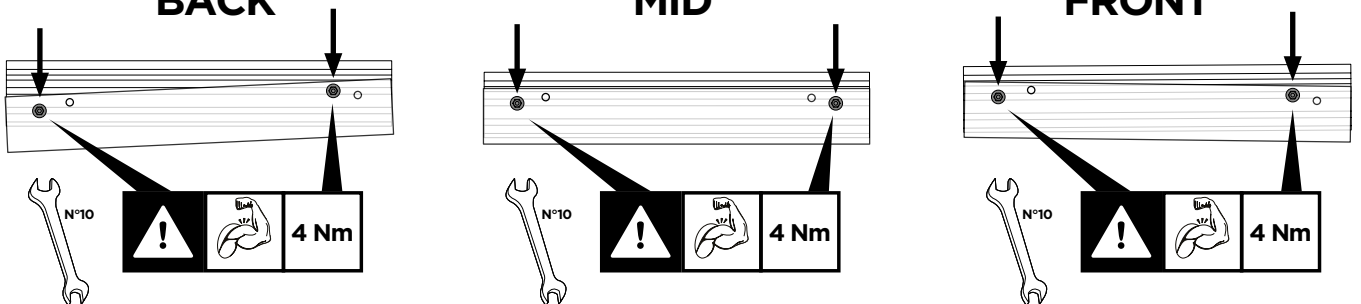


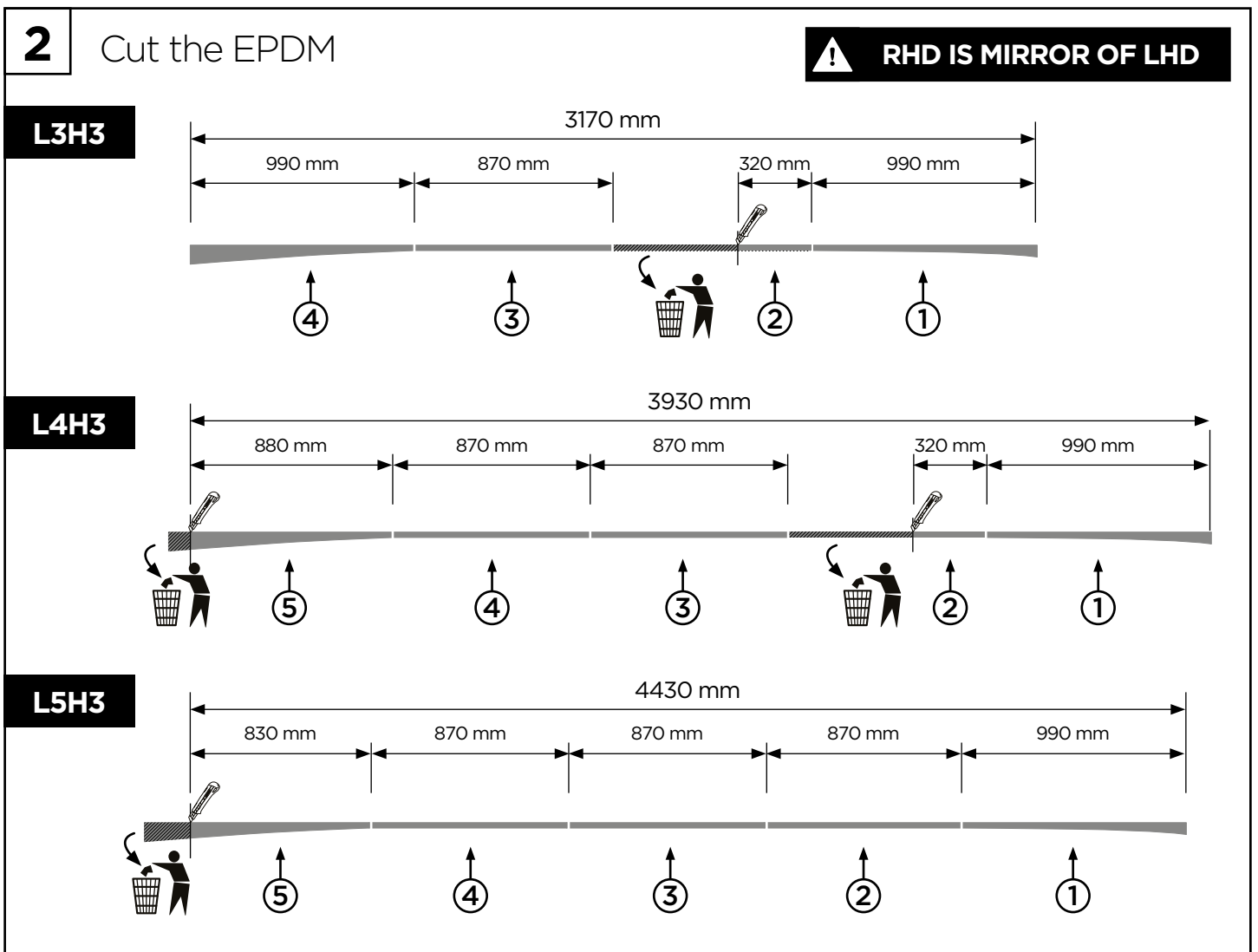
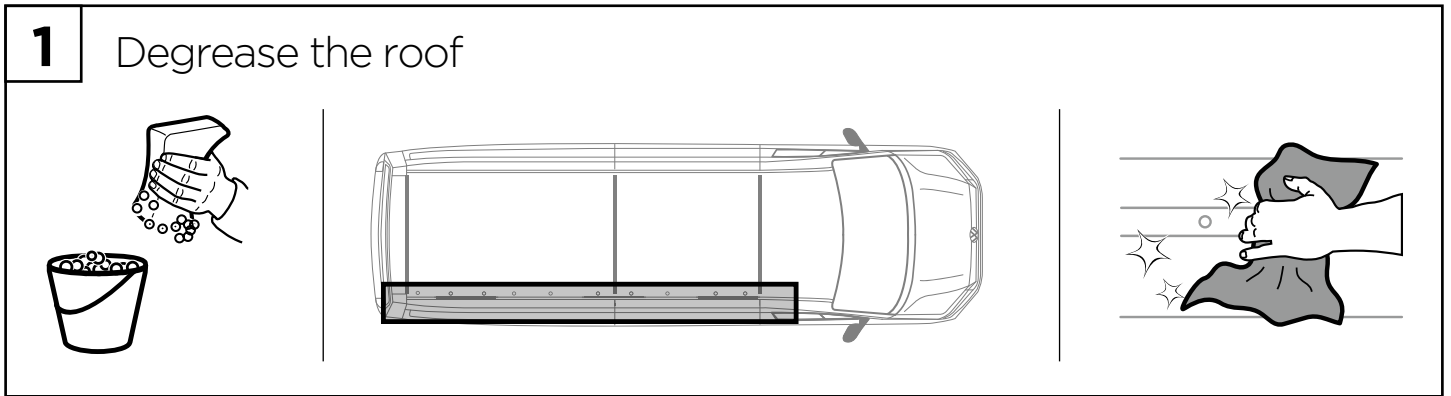
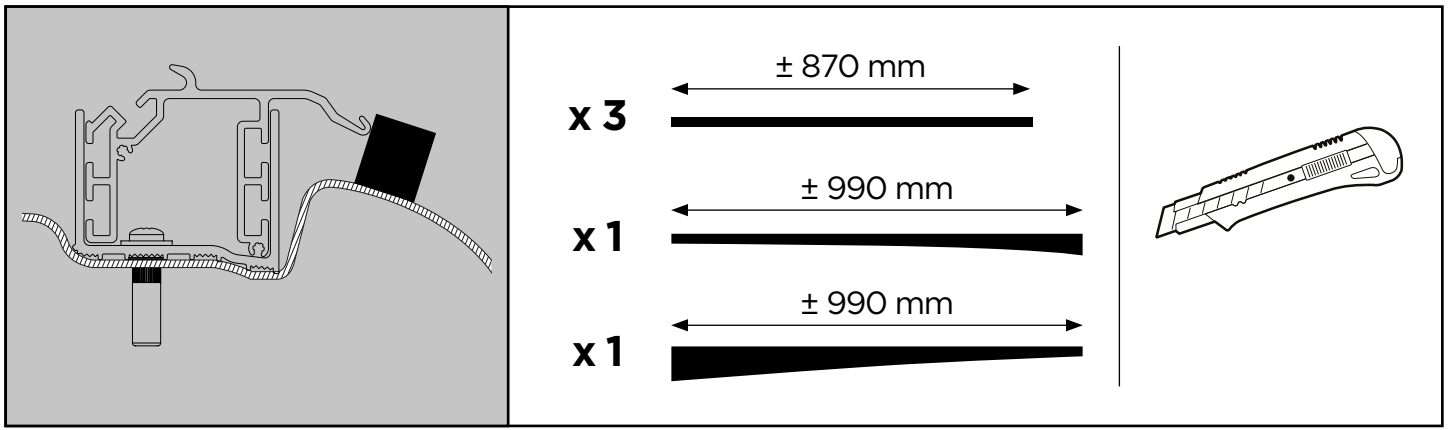
D

BACK

MID

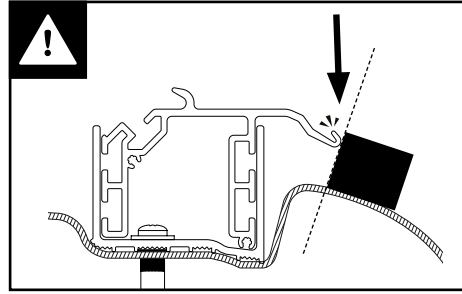
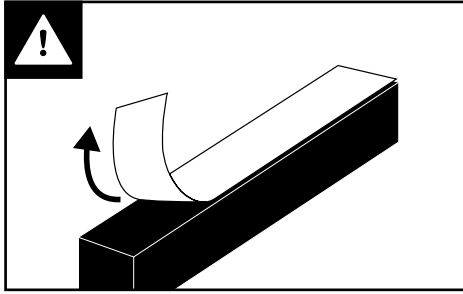
FRONT



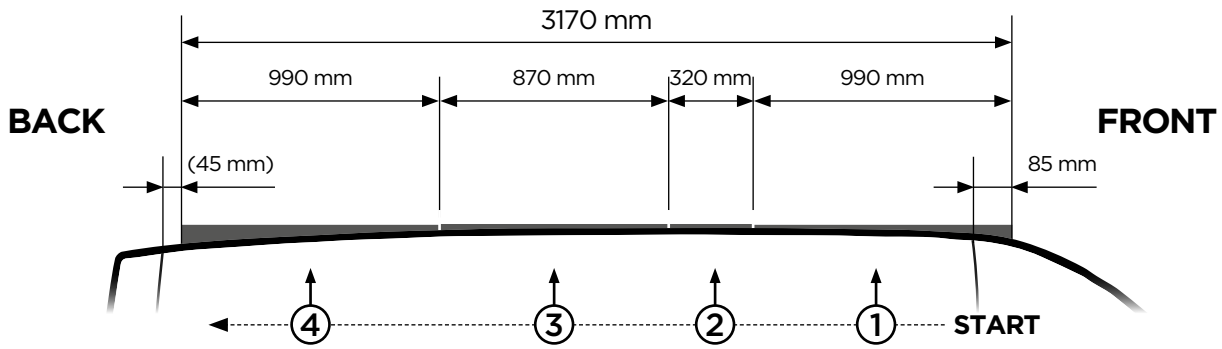


3 Applying the EPDM

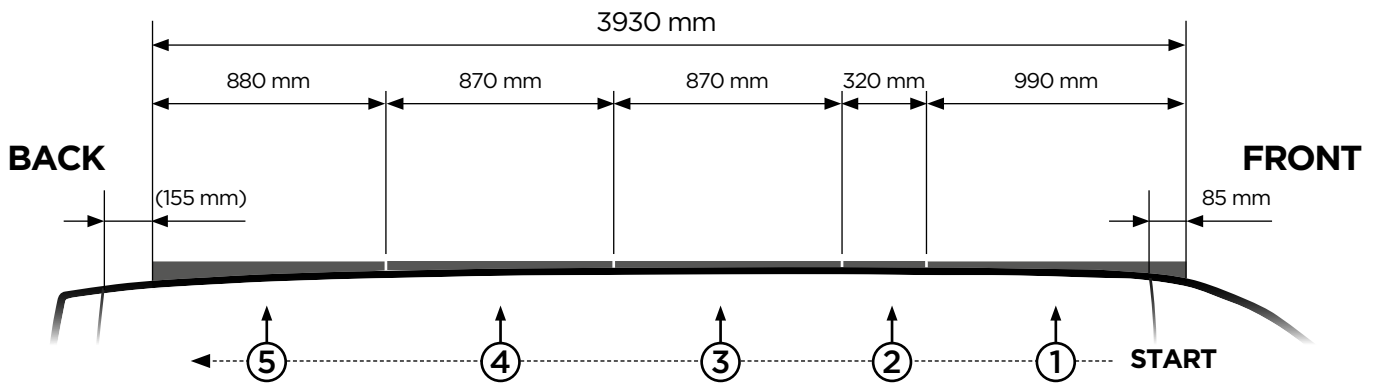
! RHD IS MIRROR OF LHD



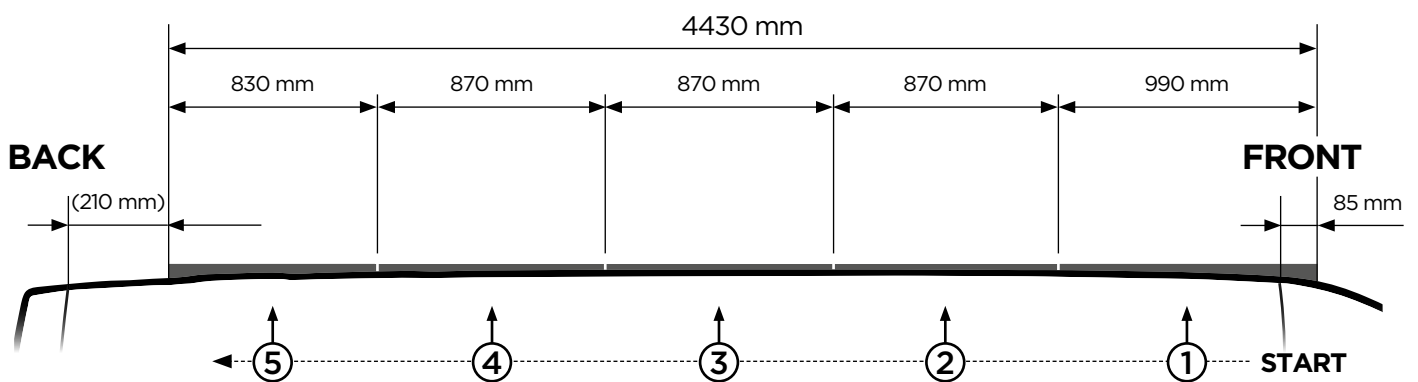
L3H3

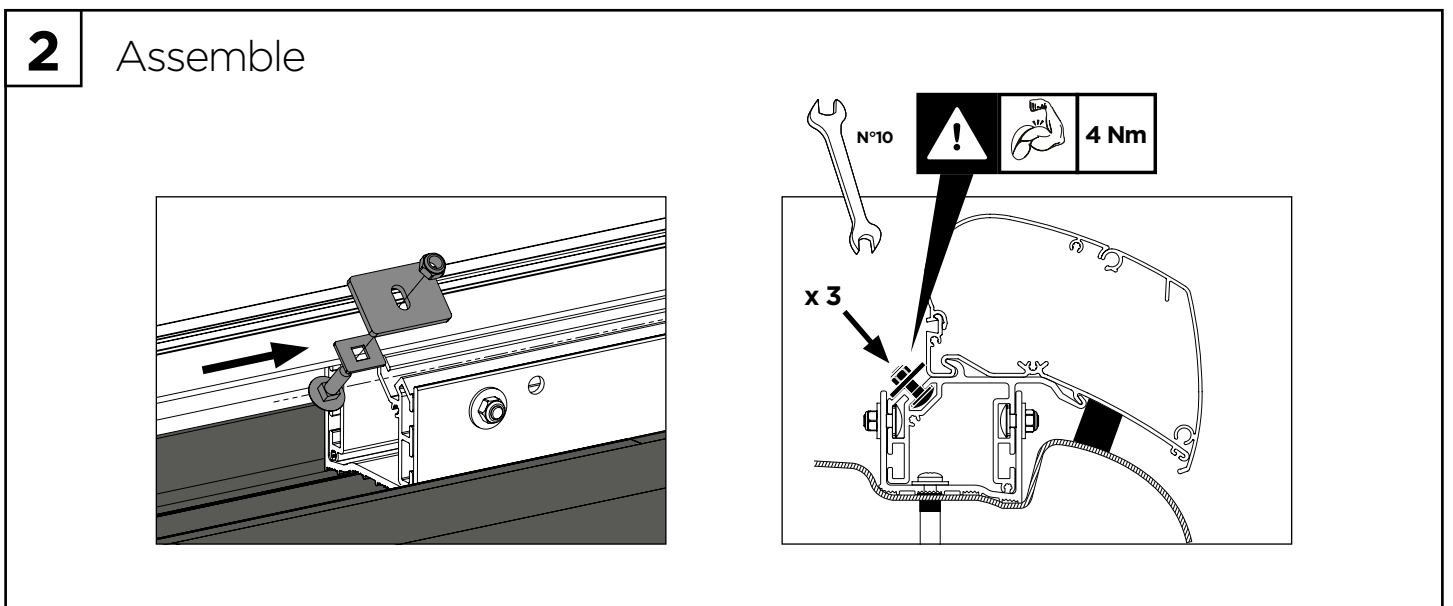
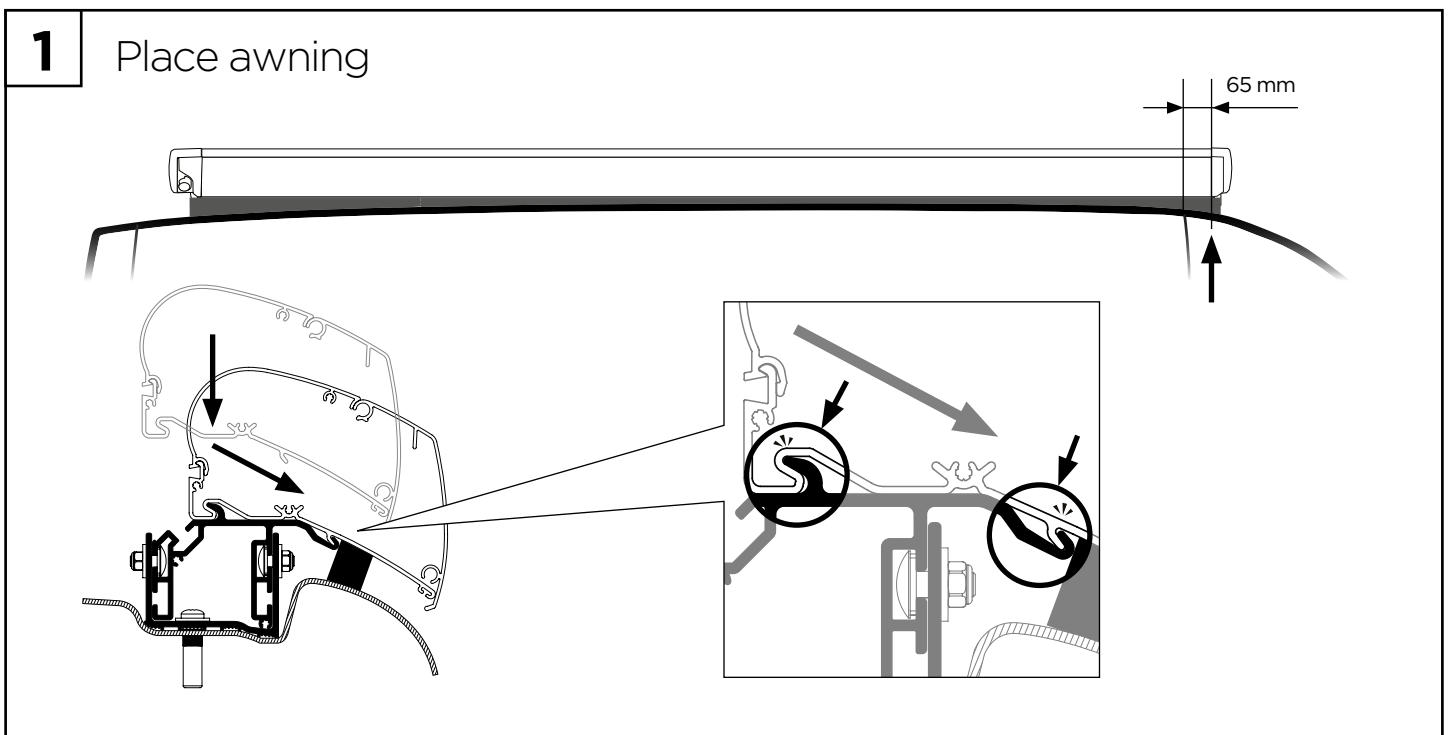
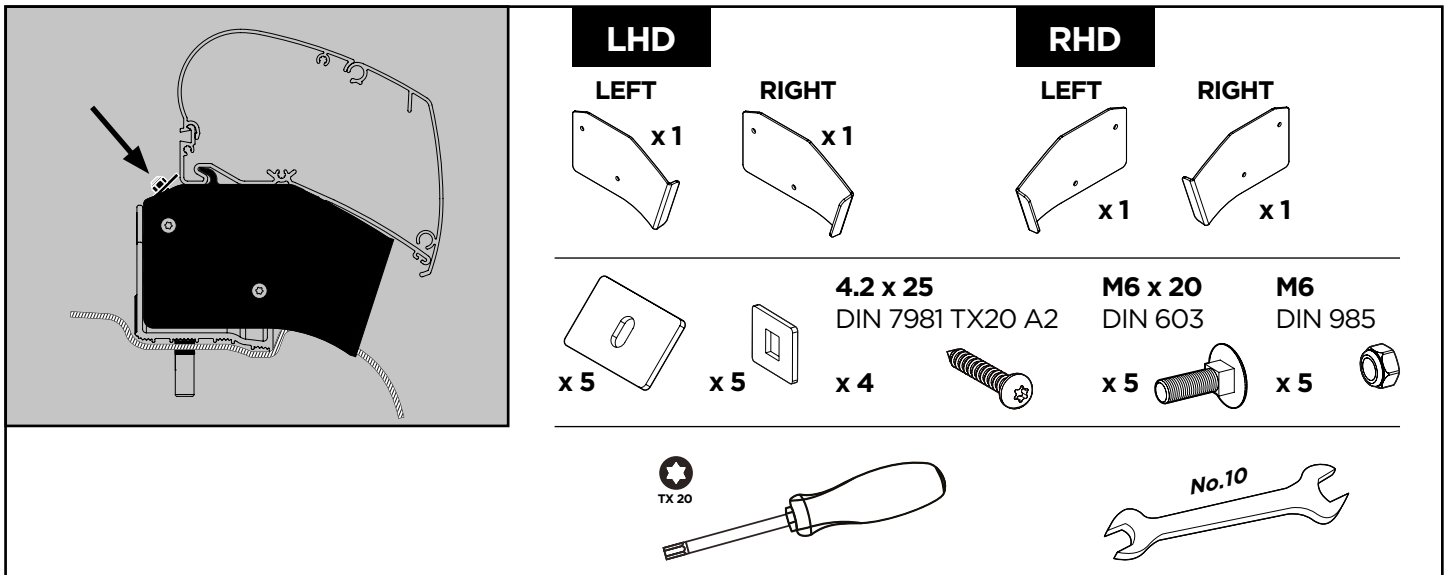


L4H3



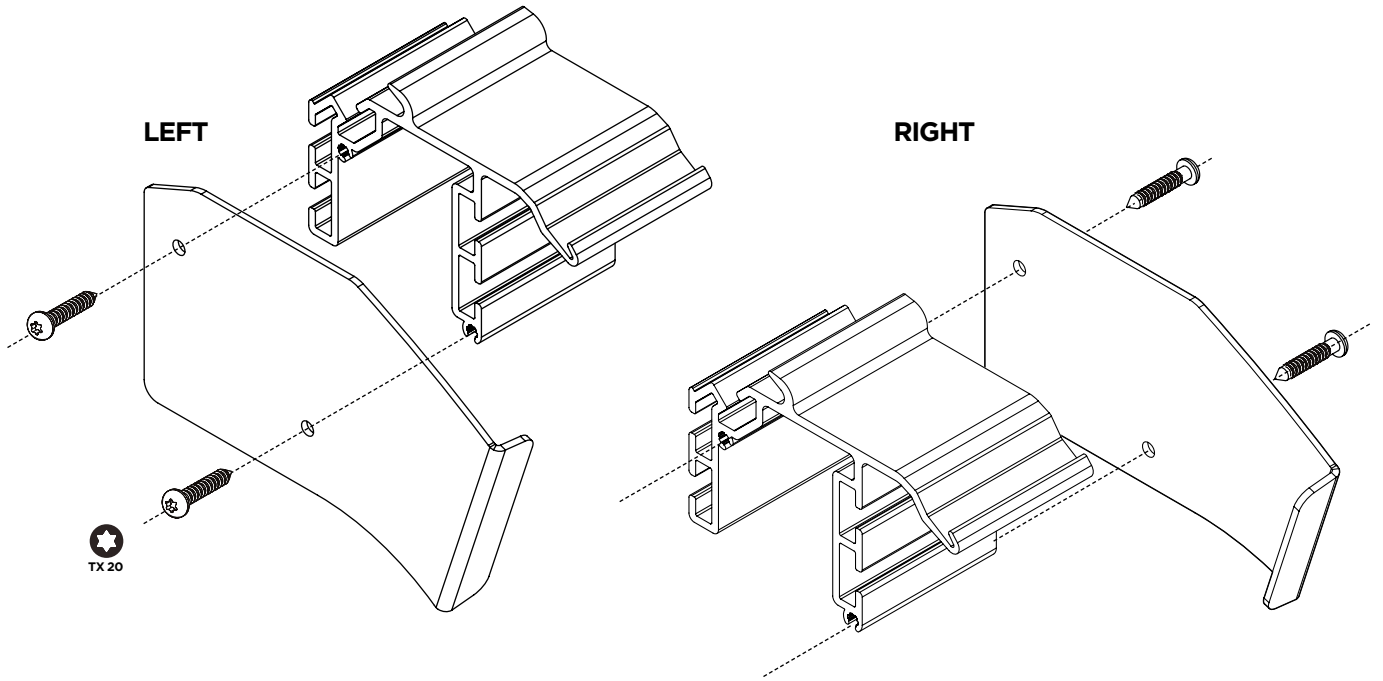
L5H3





3 Prepare sealing covers (left and right)

! RHD IS MIRROR OF LHD



4 Assemble

! RHD IS MIRROR OF LHD

