



**Dometic
Spare parts list**

When ordering parts, always state:

MODEL NO. - PRODUCT NO. - QUANTITY -

PART NO. - DESCRIPTION

For electric details also state:

VOLTAGE - WATTAGE

Add a 0 in front of part numbers with less than 10 digits

Recreational Vehicle Refrigerator

| PNC | Voltage | Brand | Model | Door | Market |
|------------|----------------|--------------|--------------|-------------|---------------|
| 921078127 | | Dometic | RM8555 | | AU - NZ |
| 921078128 | | Dometic | RM8555 | | AU - NZ |

Recreational Vehicle Refrigerator

SERVICE OFFICE
Dometic Germany

In der Steinwiese 16
D-57074 Siegen
Fax +49 271 692322

Publication-No.
599754130
2012/06/04

Product specification 92107812700 RM8555

Model RM 8555

Technical features

Width 523 mm

Height 821 mm

Length 623 mm

Weight 30 kg

AES Electronic

Temperature 0/5/10/15/20/25 °C

Resistance 27,7/22,29/18,07/14,74/12,11/10 kOhm

Product specification 92107812800 RM8555

Model RM 8555

Technical features

Width 523 mm

Height 821 mm

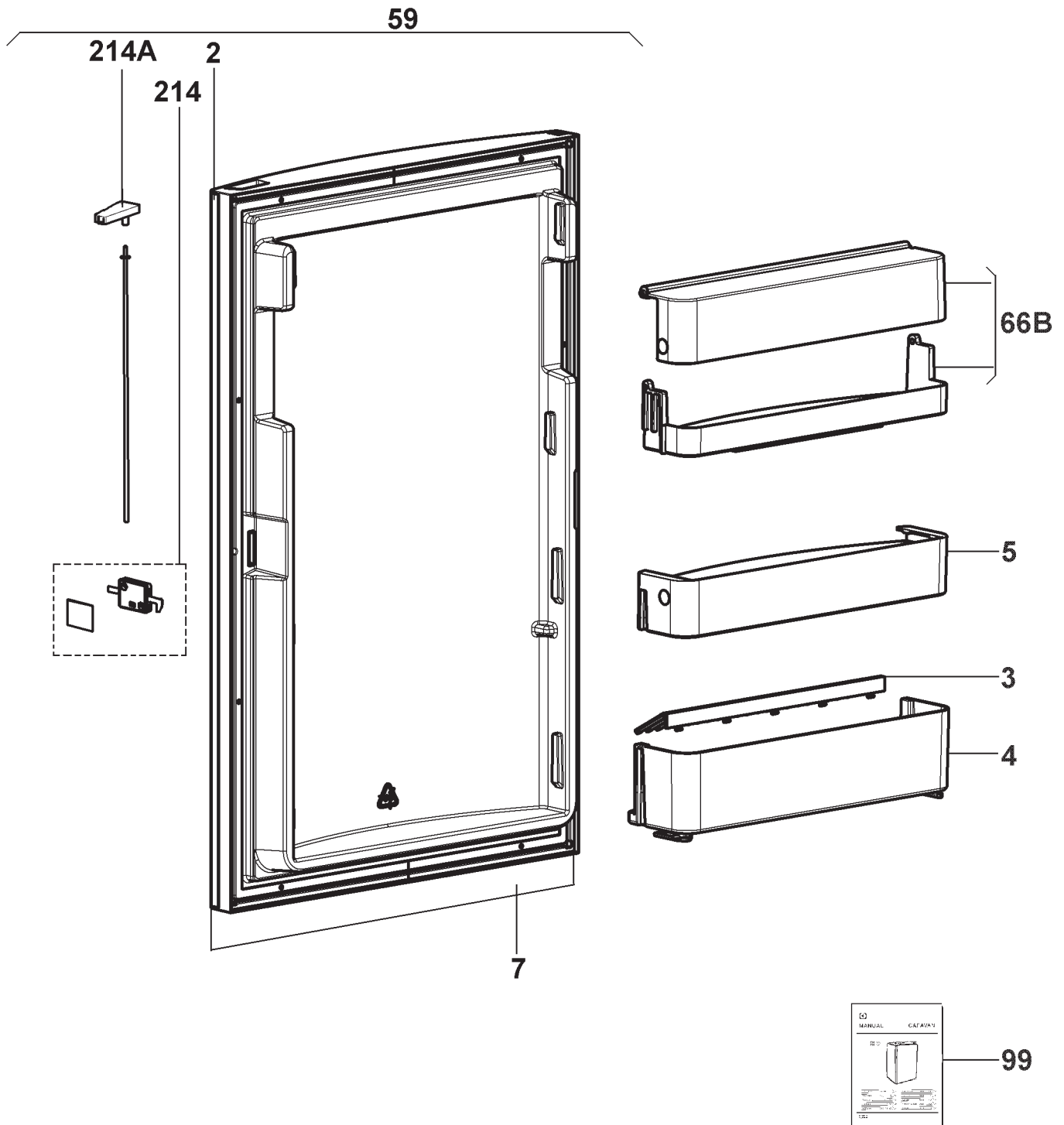
Length 623 mm

Weight 30 kg

AES Electronic

Temperature 0/5/10/15/20/25 °C

Resistance 27,7/22,29/18,07/14,74/12,11/10 kOhm

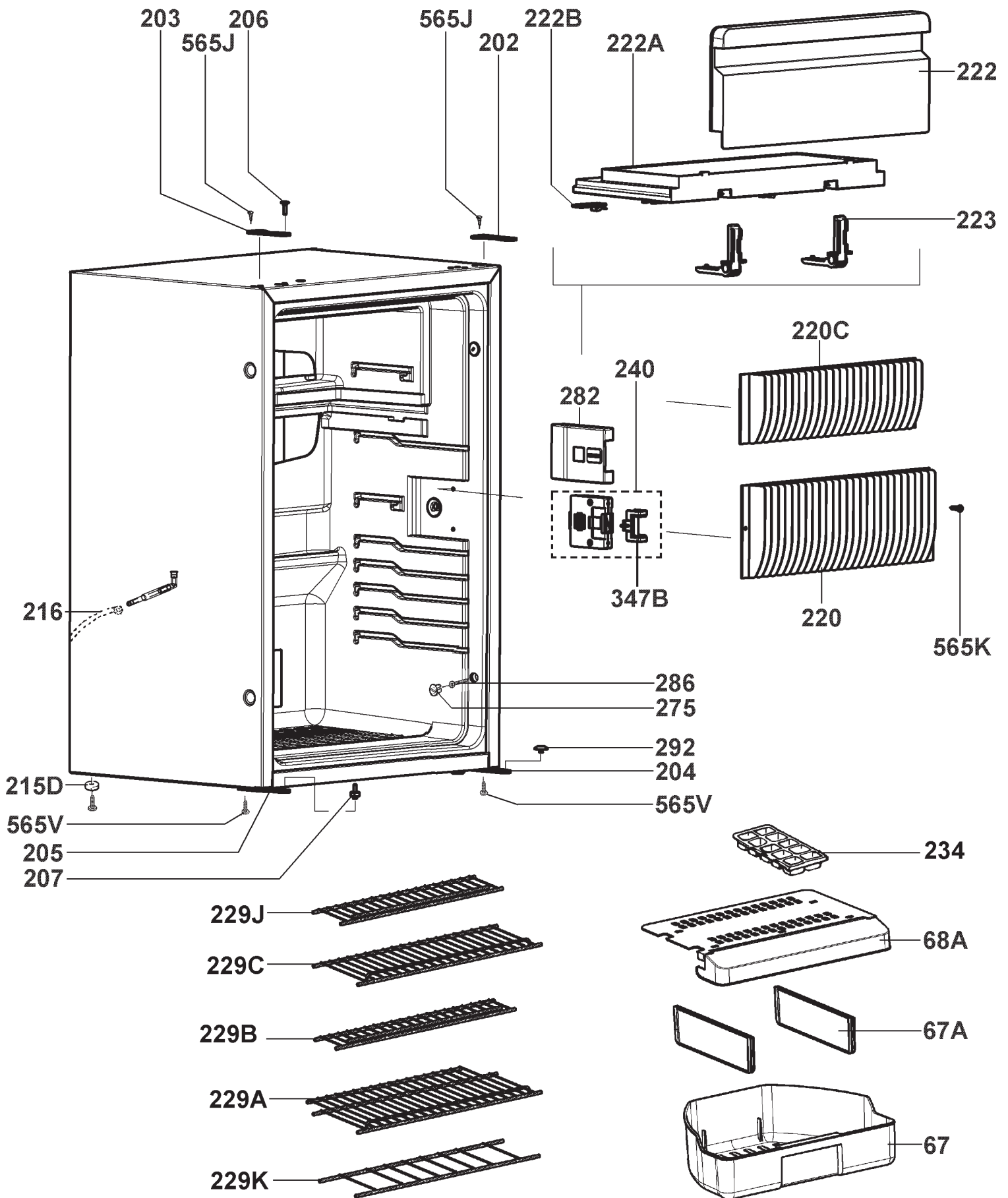


Nur die im Text aufgeführten Ersatzteile sind tatsächlich im Produkt
 Only the spare parts which are listed are really in the product

(PRM8400T5)

| Matrix | PNC | ELC | ProdDate | Model |
|--------|-----------|-----|----------|--------|
| A | 921078127 | 00 | 20120604 | RM8555 |
| B | 921078128 | 00 | 20120604 | RM8555 |

| Pos | Part No. | Matrix | Description |
|------|------------|--------|---|
| 002 | 2413338621 | A B | Cover ledge,door,black/grey |
| 003 | 2951237029 | A B | Bottle-retainer,blue,L=300 mm |
| 004 | 2413341005 | A B | Shelf,bottles,blue,L=411,5mm |
| 005 | 2413342003 | A B | Shelf,middle,blue,L=410,5mm |
| 007 | 2890238575 | A B | Decoration plate,silver,RAL 9006 |
| 059 | 2890264225 | A - | Door,complete,service,519x751,5mm |
| 059 | 2890264118 | - B | Door,complete,service,519x751,5mm |
| 066B | 2413938008 | A B | Shelf,upper,complete,L=411,5mm |
| 099 | 2890317098 | A B | User manual,Australia,RM/S/L/SL 8XXX |
| 099 | 2890318096 | A B | User manual,installation,Australia,RM/S/L/SL 8XXX |
| 214 | 2412126308 | A B | Door lock,door,service |
| 214A | 2413260221 | A - | Button,door lock,doorhang left,RAL 7021 |
| 214A | 2413260320 | - B | Button,door lock,doorhang right,RAL7021 |



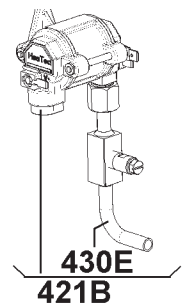
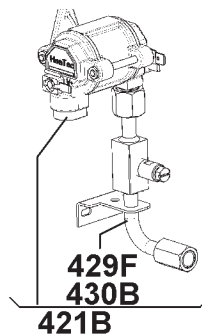
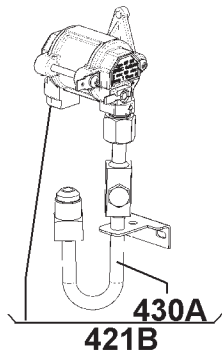
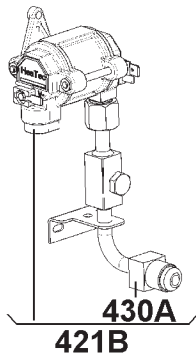
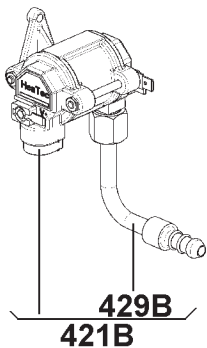
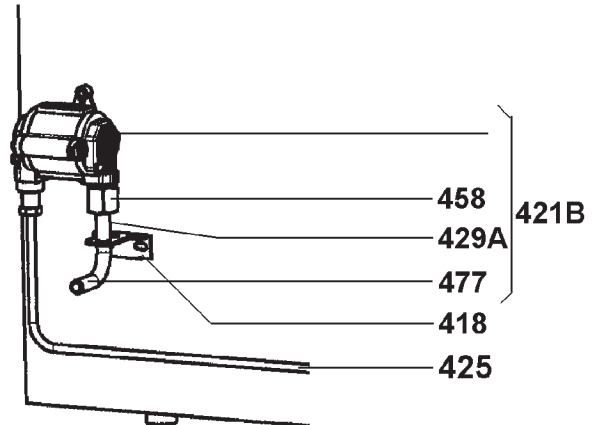
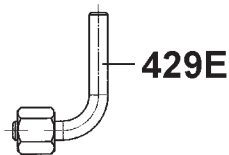
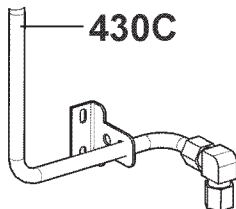
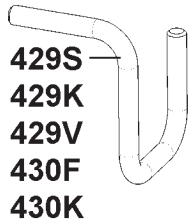
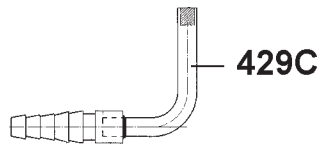
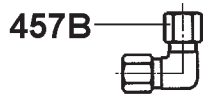
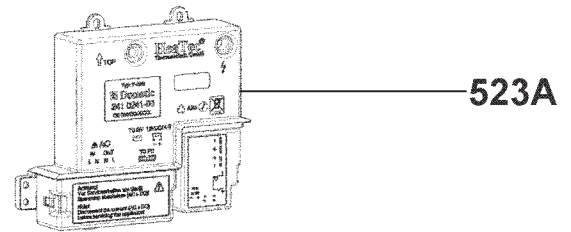
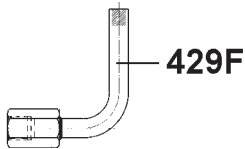
Nur die im Text aufgeführten Ersatzteile sind tatsächlich im Produkt.
 Only the spare parts which are listed are really in the product.
 Endast reservdelar i listan finns i produkten.

(PRM8400G5)

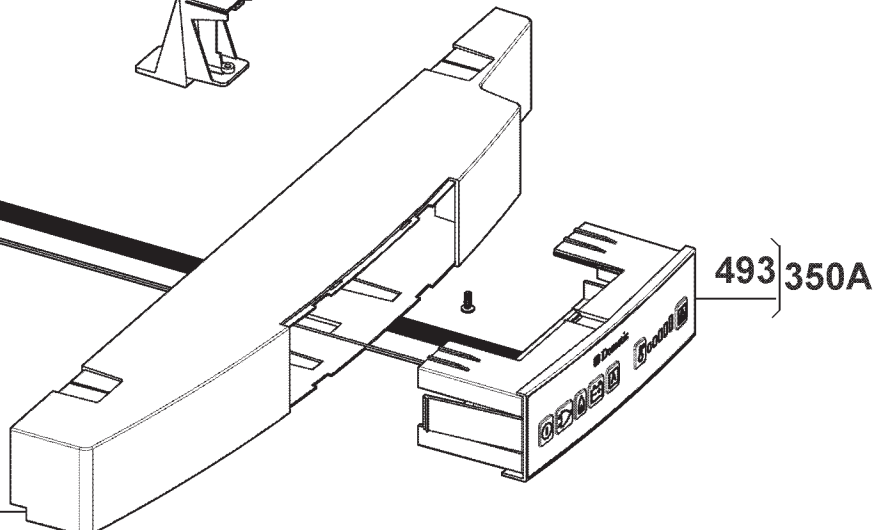
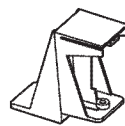
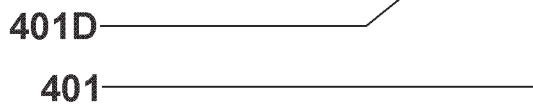
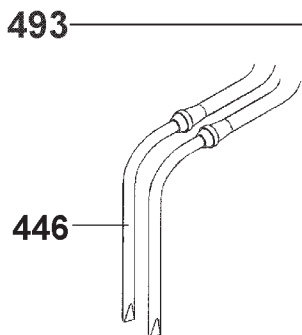
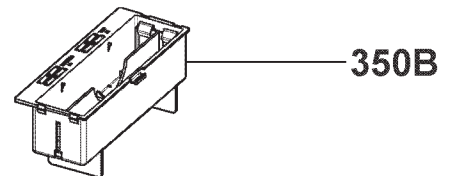
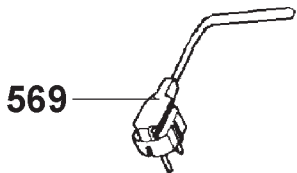
| Matrix | PNC | ELC | ProdDate | Model |
|--------|-----------|-----|----------|--------|
| A | 921078127 | 00 | 20120604 | RM8555 |
| B | 921078128 | 00 | 20120604 | RM8555 |

| Pos | Part No. | Matrix | Description |
|------|------------|--------|--|
| 067 | 2413369006 | A B | Crisper,transparent,blue,L=442mm |
| 067A | 2413377108 | A B | Divider,crisper,blue,L=171mm |
| 202 | 2412096204 | - B | Hinge,upper right,chrome plated |
| 203 | 2412097202 | A - | Hinge,upper left,chrome plated |
| 204 | 2412098101 | A B | Hinge,lower right,chrome plated |
| 205 | 2412099109 | A B | Hinge,lower left,chrome plated |
| 206 | 2924892009 | A B | Bolt,hinge,upper,L=17,5mm |
| 207 | 2926265204 | A B | Bolt,hinge,chrome plated,L=21,5 |
| 215D | 2923297028 | A B | Foot,complete,black,D=18x8mm |
| 216 | 2923346338 | A B | Drain hose,D=8/1x900mm |
| 220 | 2412948370 | A B | Rear-evaporator,refrigerator |
| 220C | 2412948388 | A B | Rear-evaporator,freezer compartment |
| 222 | 2412195311 | A B | Freezer flap door,L=430mm |
| 222A | 2413339108 | A B | Bottom,freezer compartment,L=442mm |
| 222B | 2413327202 | A B | Slider,for,freezer compartment |
| 223 | 2412125011 | A B | Hinge,complete,freezer compartment |
| 229A | 2413379401 | A B | Grating,bottom,zinc-plated,462,5x292mm |
| 229C | 2413375607 | A B | Grating,upper,zinc-plated,462,5x220mm |
| 234 | 2951132006 | A B | Ice tray,PLASTIC |
| 240 | 2413267416 | A - | Door lock,lighting,cabinet,left hang |
| 240 | 2413267515 | - B | Door lock,lighting,body,right hang |
| 275 | 2951221056 | A B | Cover cap,S0510R80B |
| 282 | 2413268018 | A B | Cover,door lock,lighting |
| 286 | 2926544004 | A B | Bolt,Spax, 4x17 |
| 292 | 2412743110 | A B | Cap,hinge,NCS S 4502-Y GL |
| 347B | 2413271012 | A B | Receptor,lock tab |
| 565J | 7296342012 | A B | Screw,ST4,2x13 FZ |
| 565K | 2951230008 | A B | Lens screw,Torx B4,8x19 |
| 565V | 2924417021 | A B | Countersunk screw,C3,9x13 |

**GASARMATUR
GAS EQUIPMENT**



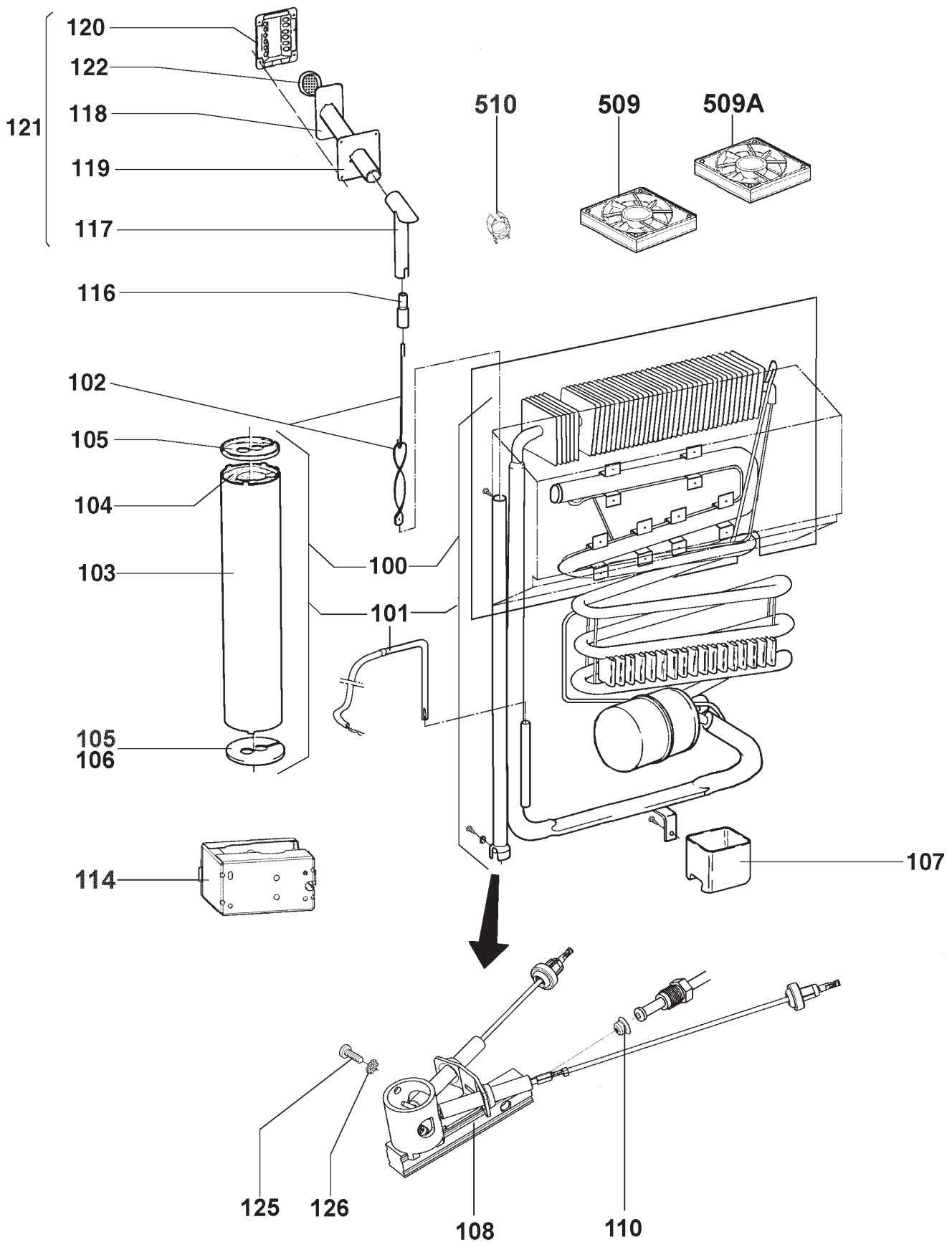
**ELEKTROARMATUR
ELECTRO EQUIPMENT**



**Nur die im Text aufgeführten Ersatzteile sind tatsächlich im Produkt
Only the spare parts which are listed are really in the product**

| Matrix | PNC | ELC | ProdDate | Model |
|--------|-----------|-----|----------|--------|
| A | 921078127 | 00 | 20120604 | RM8555 |
| B | 921078128 | 00 | 20120604 | RM8555 |

| Pos | Part No. | Matrix | Description |
|------|------------|--------|--|
| 350A | 2890187004 | A B | Operating panel,with,temperature probe,AES4 |
| 401 | 2413355120 | A - | Control panel,doorhang left,black/grey,L=523mm |
| 401 | 2413356128 | - B | Control panel,doorhang right,black/grey,L=523mm |
| 401D | 2413193703 | A B | Retainer,Control panel,black/grey |
| 421B | 2412798353 | A B | Gas valve,with,gas connection,Australia |
| 425 | 2412593515 | A B | Gas inlet pipe,D=4,75/0,7x509mm |
| 430B | 2413986031 | A B | Gas connection,with,union nut,AUSTRALIA |
| 446 | 2890209105 | A B | Heater,service,235V/135W |
| 446 | 2951694302 | A B | Heater,service,12V/130W |
| 458 | 2927903100 | A B | Union nut,M14x1,5 |
| 477 | 2923191007 | A B | Filter,for,gas connection |
| 493 | 2952248819 | A B | Temperature probe,L=1500mm |
| 523A | 2890189000 | A B | Connection,brick,complete,MES4/AES4, 200-240V |
| 569 | 2890281708 | A B | Connection wiring,black,Australia,L=2000mm, MES/AES4 |
| 569 | 2890297209 | A B | Connection wiring,without,plug,12V,white/red,L=1400 |
| 569 | 2890297308 | A B | Connection wiring,without,plug,12V, black/violet |

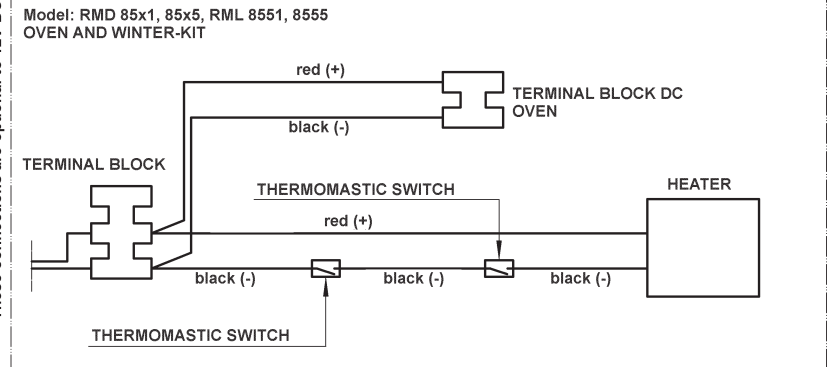
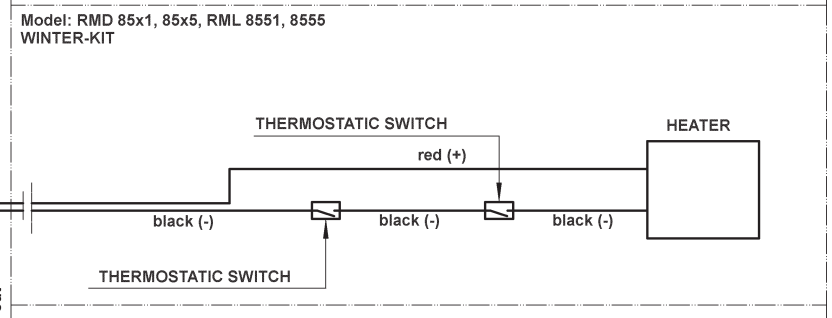
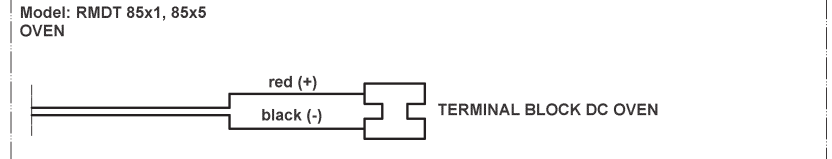
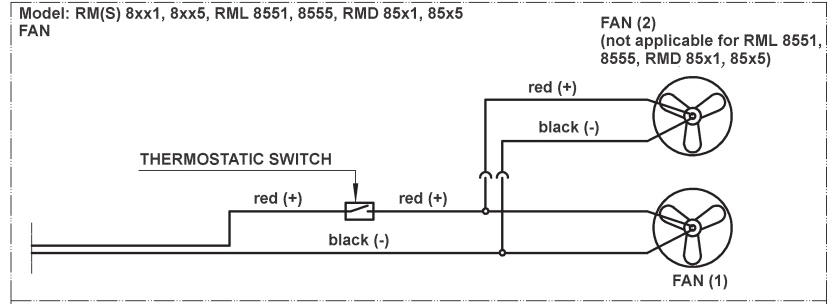
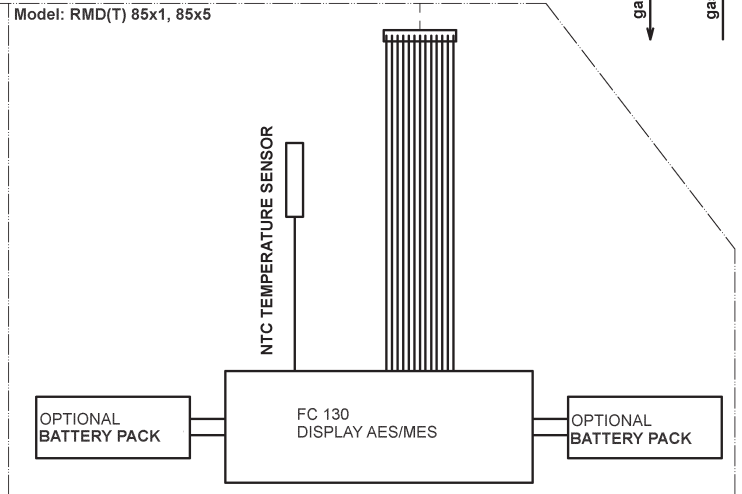
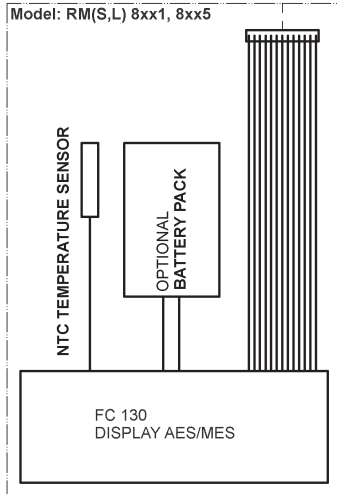
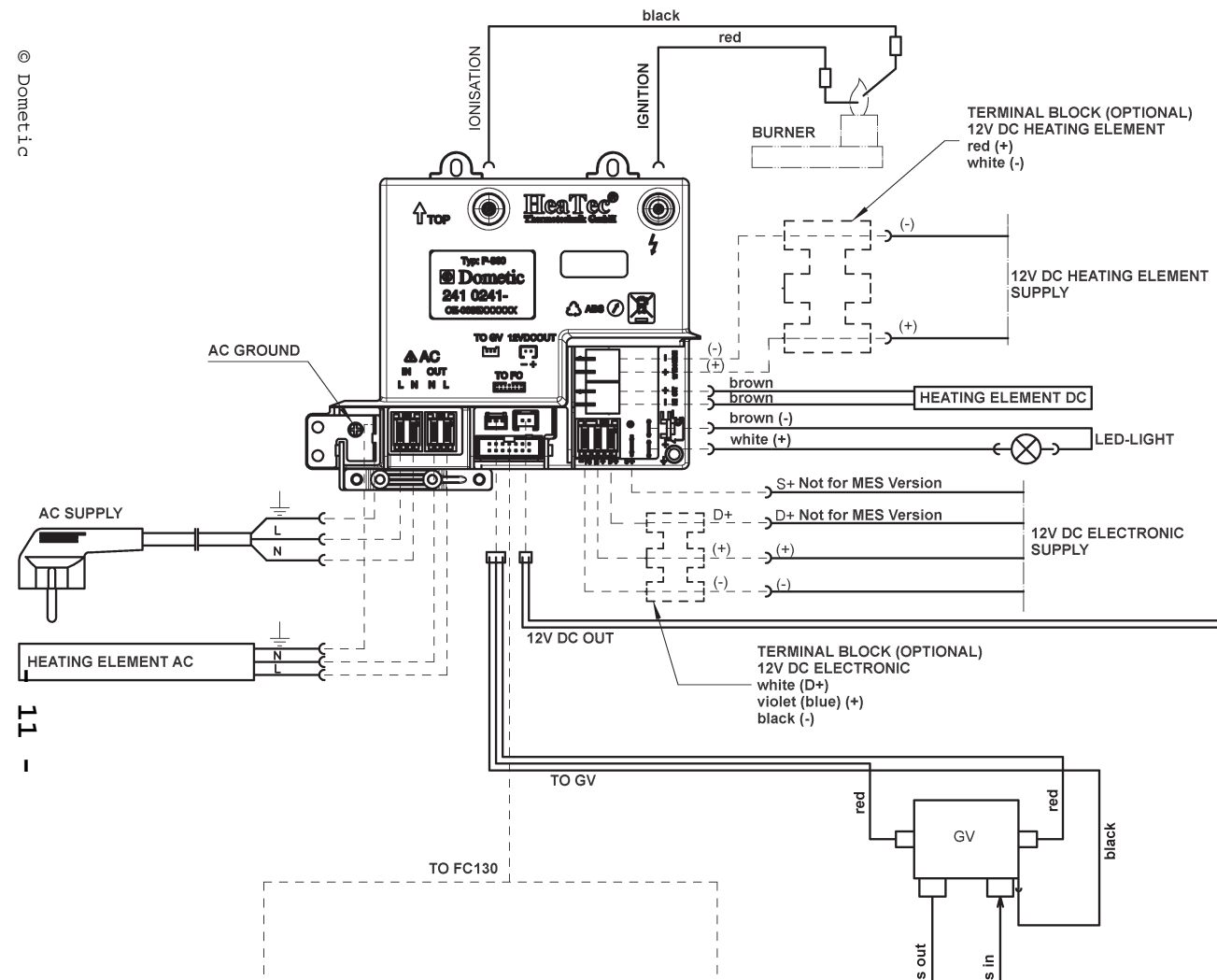


**Nur die im Text aufgeführten Ersatzteile sind tatsächlich im Produkt.
 Only the spare parts which are listed are really in the product.
 Endast reservdelar i listan finns i produkten.**

(PRM8401AG)

| Matrix | PNC | ELC | ProdDate | Model |
|---------------|------------|------------|-----------------|--------------|
| A | 921078127 | 00 | 20120604 | RM8555 |
| B | 921078128 | 00 | 20120604 | RM8555 |

| Pos | Part No. | Matrix | Description |
|------------|-----------------|---------------|-------------------------------|
| 100 | 2890313030 | A B | Cooling unit,service,135W |
| 102 | 2926212206 | A B | Helix,complete,L=259mm |
| 103 | 2924082304 | A B | Mantle,cooker,0,25x285x498mm |
| 104 | 2926680113 | A B | Cooker insulation,230x480mm |
| 105 | 2924979004 | A B | Bezel,cooker,mantle |
| 107 | 2926019304 | A B | Evaporation tray,nature |
| 108 | 2412802825 | A B | Burner,without,nozzle,SERVICE |
| 110 | 2922033069 | A B | Nozzle,gas burner,KZ 43 |
| 114 | 2412559664 | A B | Kit,burner housing,service |
| 116 | 2935491007 | A B | Adaptor,L=68 |
| 117 | 2952444400 | A B | T-piece,complete,L=75mm |
| 118 | 2935652004 | A B | Exhaust pipe,complete,L=195mm |
| 121 | 2935872206 | A B | Chimney,complete,L=195/75mm |
| 122 | 2935667002 | A B | Cover cap,nature |
| 125 | 2952435408 | A B | Bolt,M4x6 |
| 126 | 2926559036 | A B | Lock washer,A 4,3 |
| 509 | 2106511856 | A B | Ventilator,12V DC, MES/AES4 |
| 510 | 2412906204 | A B | Thermostat,for,ventilator |



These connections are optional to 12V DC out

P241217989

| | |
|------------------|--------------------|
| Batterie | Battery |
| Beleuchtung | Lighting |
| Braun | Brown |
| Brenner | Burner |
| Elektronik | PCB |
| Erdung | Earth |
| Heizelement | Heating element |
| Heizung | Heating element |
| Rot | Red |
| Schalter | Switch |
| Schwarz | Black |
| Sensor | Sensor |
| Temperatursensor | Temperature sensor |
| Violett | Violet |
| Weiss | White |