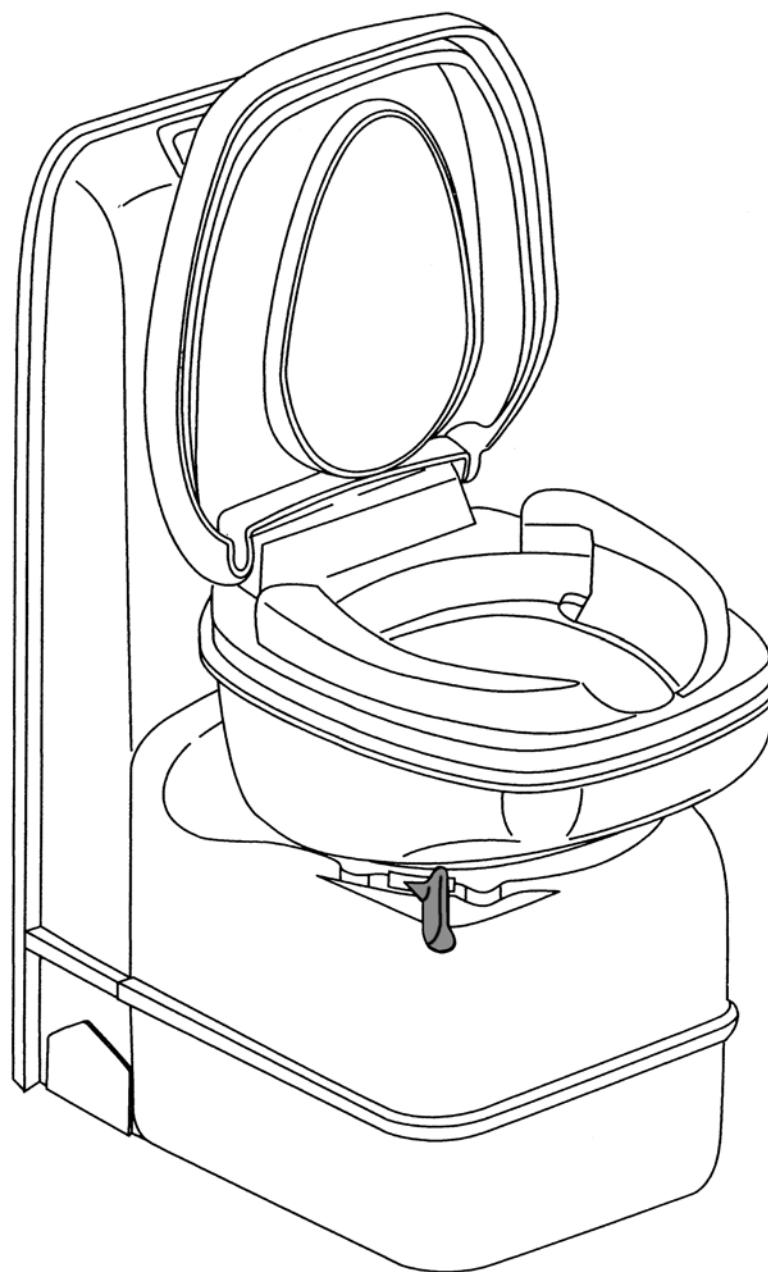


THETFORD

CASSETTE

www.thetford.eu

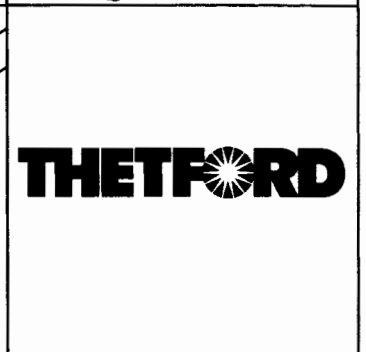
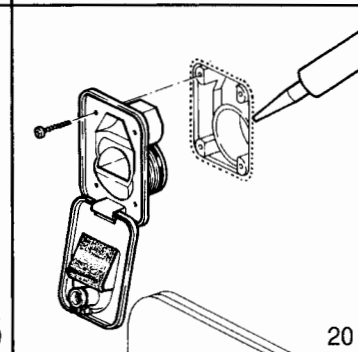
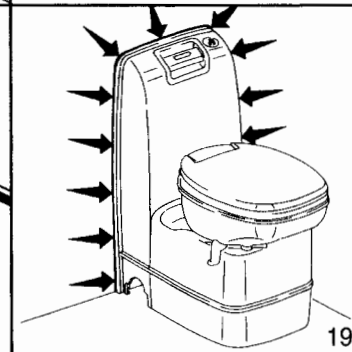
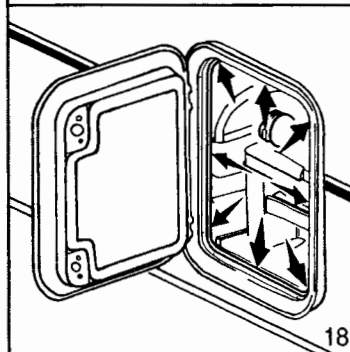
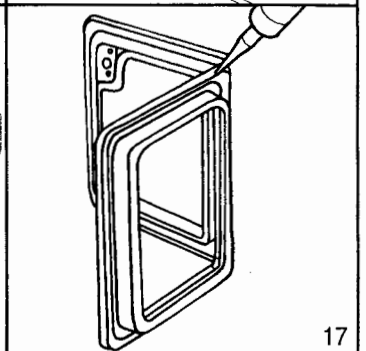
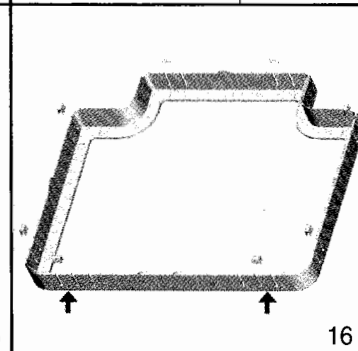
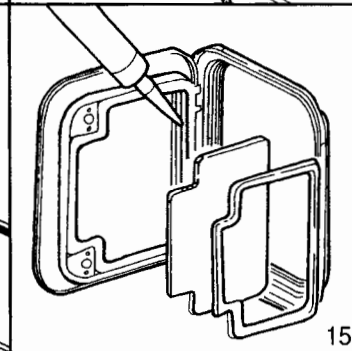
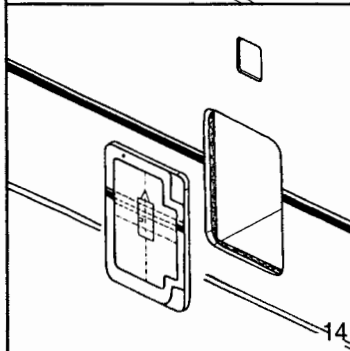
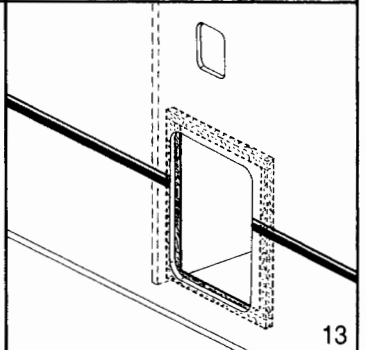
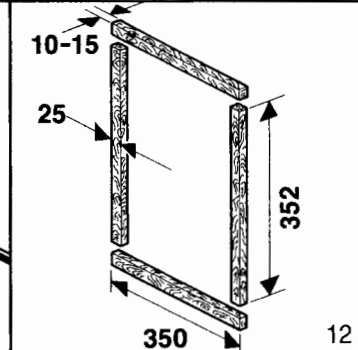
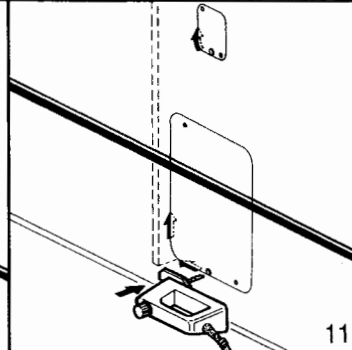
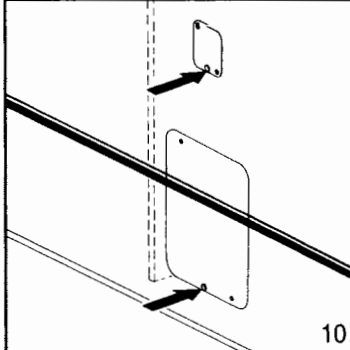
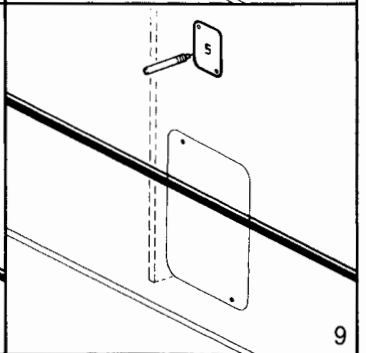
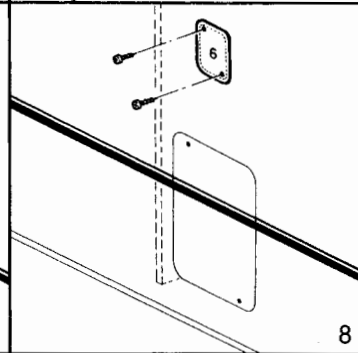
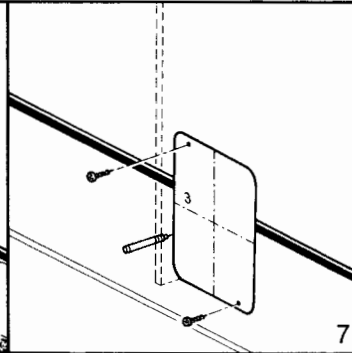
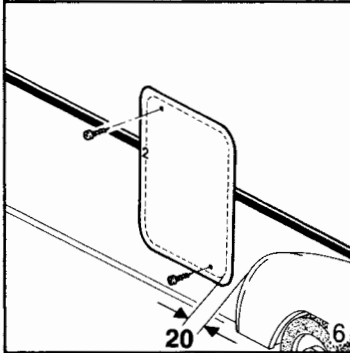
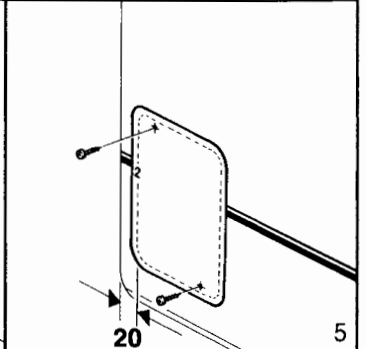
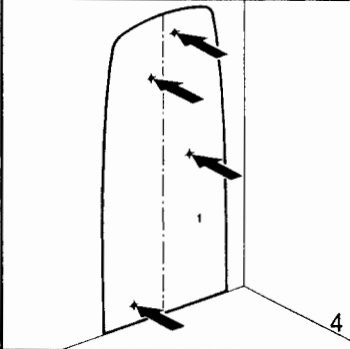
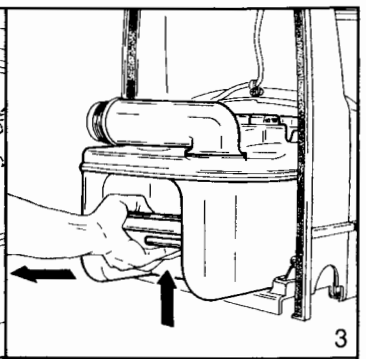
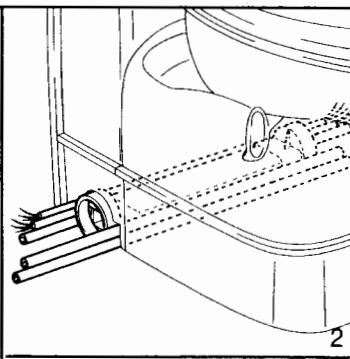
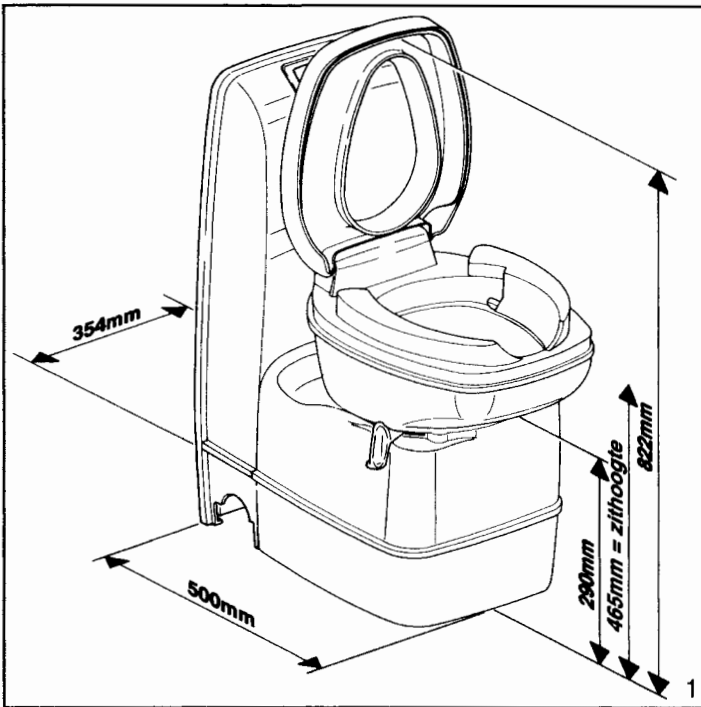


C-200 CW D3

GB INSTALLATION INSTRUCTIONS
D EINBAU ANLEITUNG

F INSTRUCTIONS POUR L'INSTALLATION
NL INBOUW INSTRUCTIES

S INSTALLATIONSANVISNINGAR
I INSTRUZIONI PER L'INSTALLAZIONE



Thetford C-200 CW Cassette

General information

C-200 CW Cassette aftermarket specification

The valve blade is operated manually using a handle. The toilet has an integrated water tank and is flushed with a hand pump.

Important: We recommend that you have the Thetford Cassette toilet installed by a dealer.

The Thetford C-200 Cassette is a semi-portable toilet for caravans and campers which is integrated in the bathroom. We recommend that the welding seam around the base of the toilet is used to trap the shower tray. The shower tray with upstanding surround can be connected below this welding seam to prevent leaks when the shower is used. The C-200 Cassette can also be installed in a caravan without a shower tray.

Installation details

1. The bathroom must be a minimum of 500 mm wide and the floor must be at least 500 mm deep, calculated from the rear wall. To allow for the toilet seat, the clearance height must be 822 mm. At the back there is an opening at floor level for a (Ø 65 mm heating cable, three (Ø 16 mm water supply lines and two (Ø 8 mm electric leads. We recommend that the air duct (plenum) is used to lead trough the heating cable. (See drawing 2)
2. If the toilet is near the wheel housing, the distance between the housing trim and the hole to be made must be at least 20 mm. If the toilet is at the back of the caravan, the distance between the hole to be made and the caravan's rear wall must also be 20 mm. (See drawing 5 + 6)
3. The toilet must be mounted against a vertical rear wall. The rear wall must be at least 728 mm high.
4. The wall thickness of the caravan or camper must be between 24 and 46 mm. When the caravan wall is thicker than 40 mm, the O-ring of the waterfill door has to be replaced (contact Thetford). A wooden frame or a frame of 3 mm aluminium strips must be placed round the large doorway so that the door can be securely attached. The frame is glued to the wall around the large doorway for additional strength. (See drawing 12)
5. Thetford recommends that the large door should hinge in the direction of travel.
6. Consult your caravan dealer in respect of the cut-out in the caravan wall, in order to prevent any damage

Useful tips

- To facilitate installation, drawings have been enclosed to make templates.
- The installation instructions must be followed precisely.
- Tools required:
 - * an electric drill
 - * 3 and 8 mm bits
 - * an electric saw
 - * a screwdriver with Philips head nr. 2
 - * an awl
 - * safety glasses
 - * a marker
 - * butyl sealant

The cut-out from the caravan wall for the large door is used as the door panel; only saw or drill in the places indicated in the instructions.

Installations instructions

The toilet can only be mounted against a vertical rear wall.

1. Remove the toilet from the box.
 2. Remove the plastic bag containing the loose parts. The instructions for use and the spout cap are also in this bag.
 3. First read the instructions for use to familiarise yourself with the names of the various parts.
 4. Pull the yellow clip upwards and remove the holding tank. (See drawing 3)
 5. Remove the shower tray, if applicable, or adjust this tray in such a way that the C-200 CW can be fitted in.
 6. Put the toilet in the right place and lift the seat to check the vertical clearance. Draw the toilet's outline on the rear wall with a pencil. If there is any floor covering, bear in mind that this will be pressed down when someone sits on the toilet. (Tip: Sit on the toilet when you draw the outline.) Remove the toilet.
 7. Place template number 1 over the outline of the toilet.
 8. Drill four holes with a diameter of 3 mm in the caravan wall from the inside. The locations are shown by the template. (See drawing 4) Remove the template. (Template for the large door.)
 9. Fasten template number 2 to the outside of the caravan with 2 screws in the pre-drilled holes. Template 2 is used to check the 20 mm distance (from the trim rear wall caravan/wheel housing to the opening). (See drawing 5 + 6)
 10. Replace template 2 with template 3 and outline template 3 using a marker to indicate the cuttingline. (See drawing 7)
 11. Fasten template number 6 to the outside of the caravan using 2 screws in the pre-drilled holes. Template 6 is used to check the space for the small door. (See drawing 8)
 12. Replace template 6 with template 5 and outline template 5 with a marker to indicate the cutting line. (See drawing 9)
 13. Remove templates 3 and 5 and stick protective tape on the inside and outside of the cutting lines.
 14. Drill a hole with a diameter of 8 mm on the inside of both cutting lines (at the bottom) to admit the saw. (See drawing 10)
 15. Make the cut-outs using a electric saw. Make sure that the cut is dead straight. (See drawing 11)
 16. Check that both door frames fit in the openings.
 17. Make the wooden frame wich will be placed round the large doorway to strengthen the wall and secure the door. (See drawing 12) The frame is glued in for additional strength. (See drawing 13)
 18. Now cut the sawn-out panel from the caravan wall to fit the door frame using template 4A or 4B, depending on whether the door is right-hand or left-hand hung. Make sure that the decorative stripes on the panel are in line with those on the caravan. (See drawing 14)
 19. Fill the groove of the door outer with sealant. (15). Then position the panel in the door outer. Fix the clips to the door inner, make sure that the two clips with the arrow are mounted on this location (See drawing no.16), and then push the door inner into the door outer. Fill in the groove of the frame to be placed in the opening (=3) with sealant (See drawing 17) place the complete door against the outside wall of the caravan and fasten the door with 9 sheet-metal screws (4.2 x 12.5 mm.)
 20. Push the toilet into the correct position and screw the toilet on to the floor with 4 crews (4.5 x 55).
 21. Install the adapted or new shower tray.
 22. Install the toilet.
 23. Seal the space between the door and the toilet from the outside. Also seal the gaps between the toilet and the side walls, between the toilet and rear wall and between the toilet and the shower tray (or floor). (See drawing 18 + 19)
 24. Before you place the small door use sealant between the door and caravan wall, use screws (4 x 35 mm) to place the door. (See drawing 20)
-